



Modular Frame Structure.....4

Standing Type Modular Panels.....32

Wall Mounted Enclosures.....66

Operator Consoles.....90

Standing Type Outdoor Panel Boards.....94

Wall Mounted Outdoor Panel Boards.....130

Stainless Panel Boards.....142

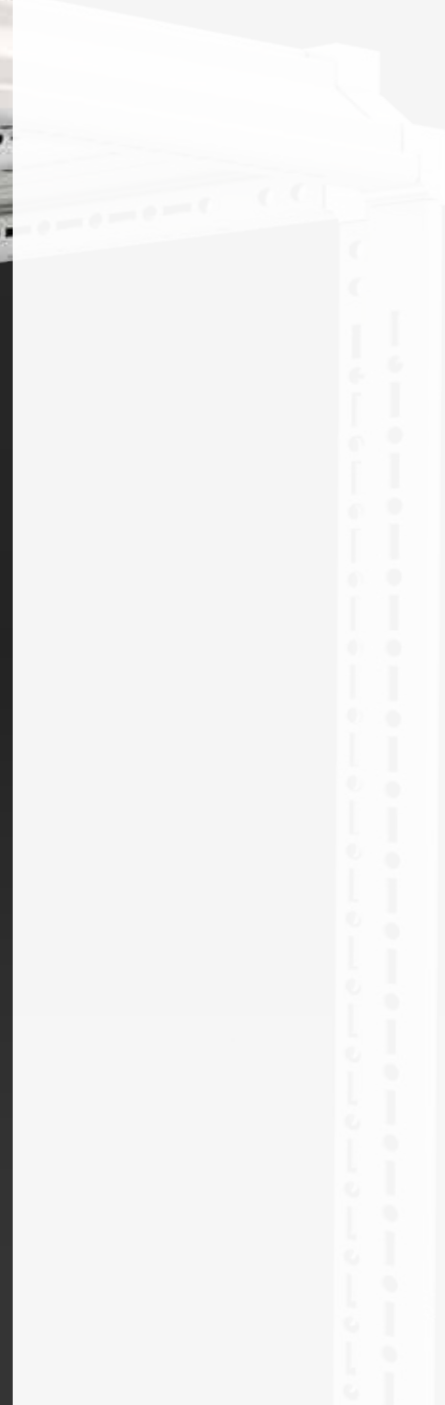
Formed Panel Board Systems.....182

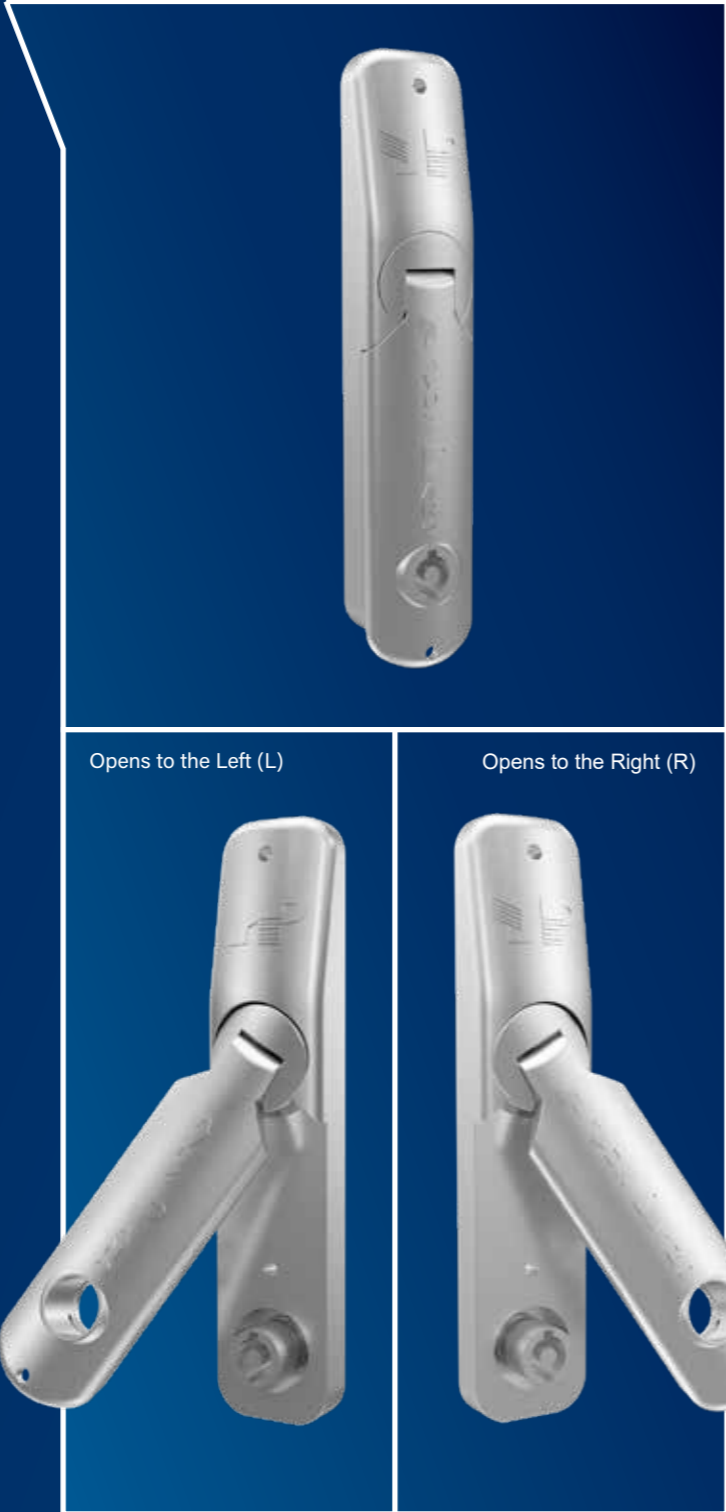
Withdrawable Panel Systems.....230

MODULAR FRAME STRUCTURE

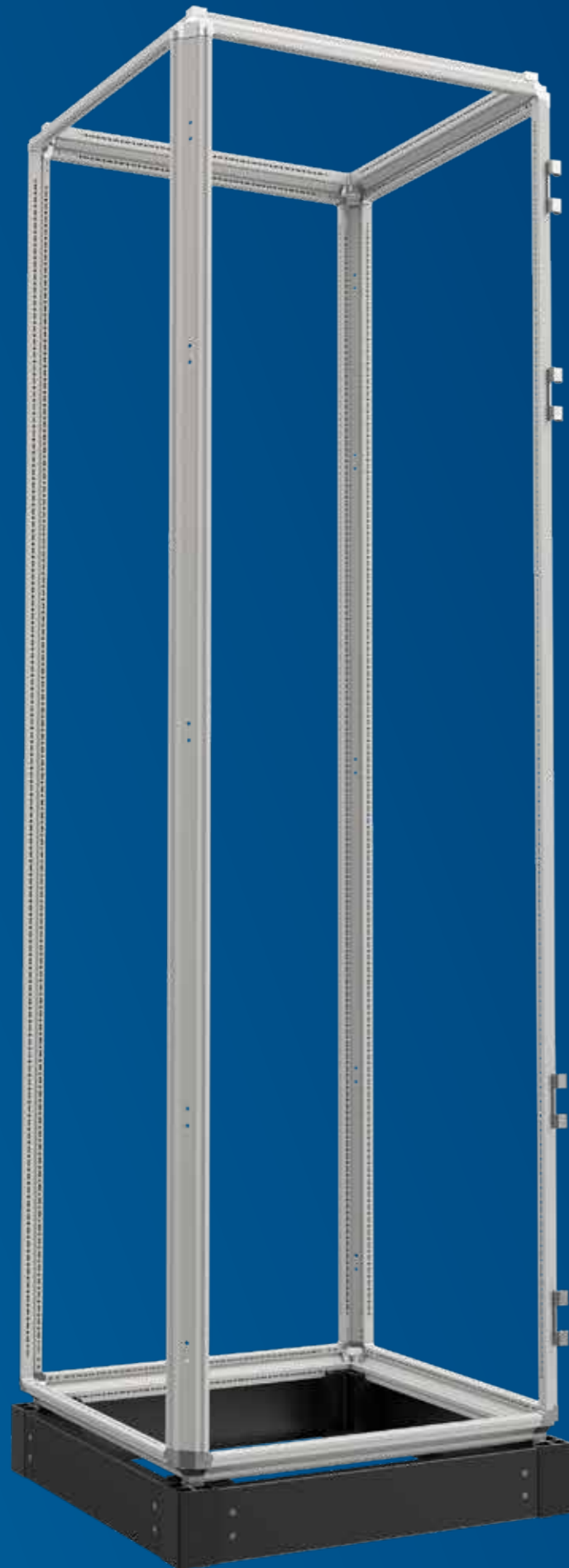
MOD Series Frame Structure.....5

TT Series Frame Structure.....17



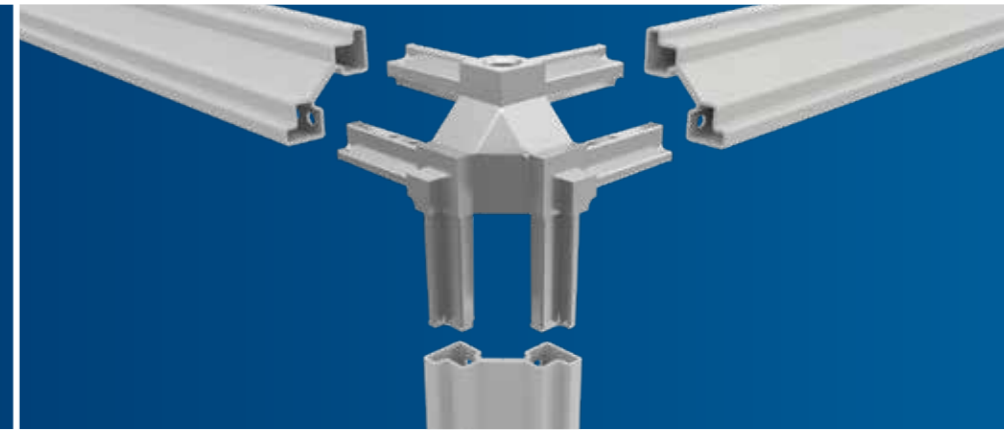
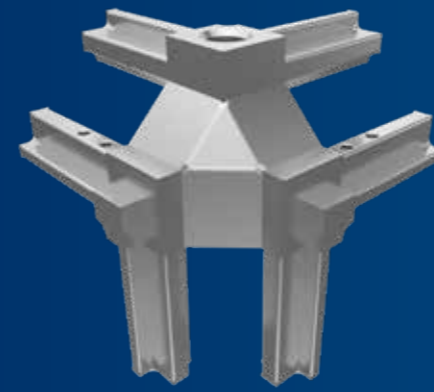


- High security with four point locking
- High resistance against corrosion
- Aesthetic look



Zamak Corner

With its strong structure, it gives power to MOD Series panels. It is easily mounted on poles and provides modularity. Produced by zamak casting



Pole

It is one of the most important parts of MOD Series panels, Easy assembly with zamak corners with the help of screws and provides modularity.

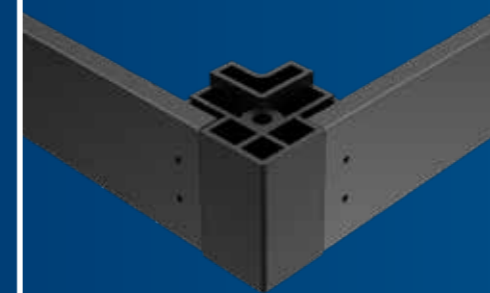
Frame

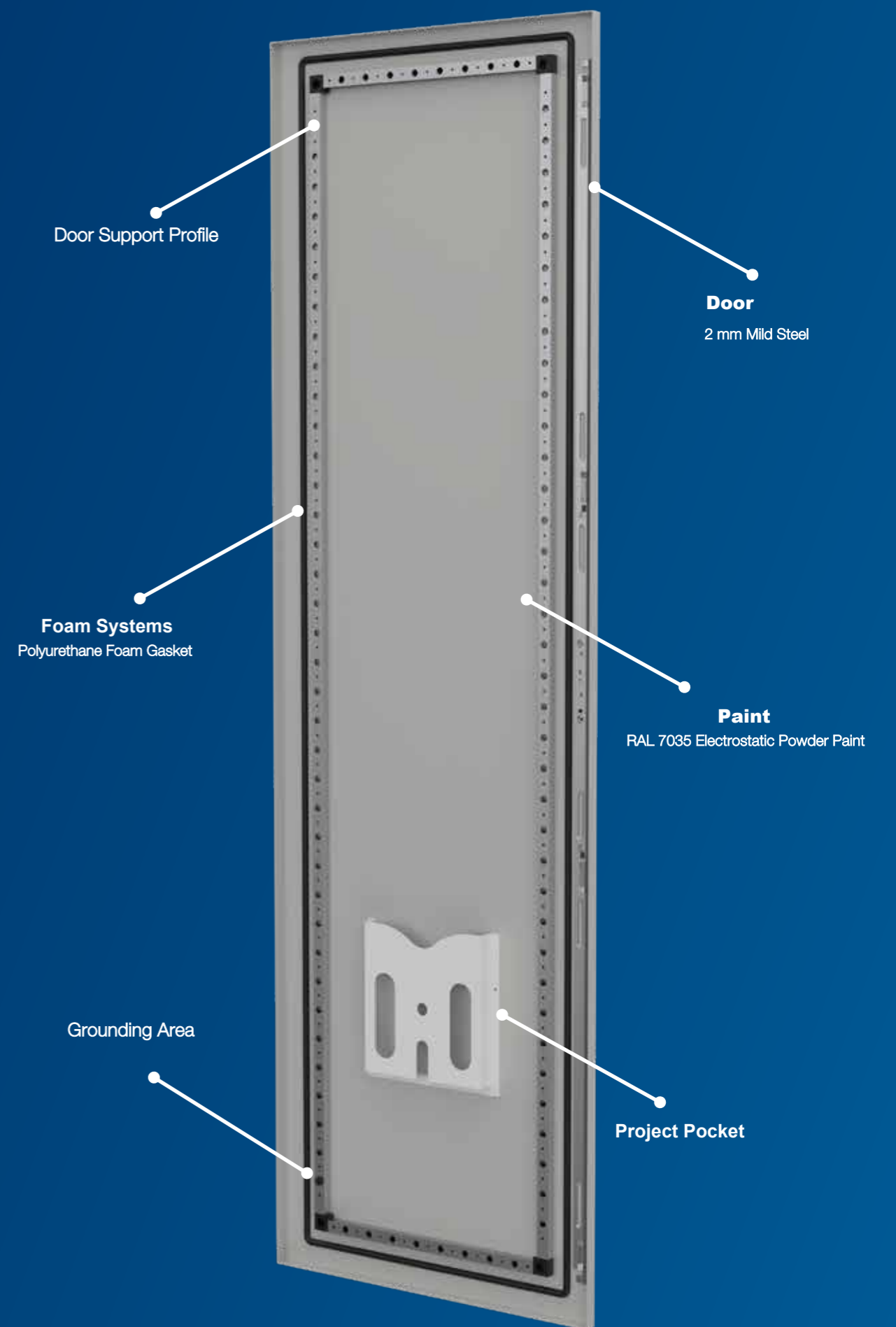
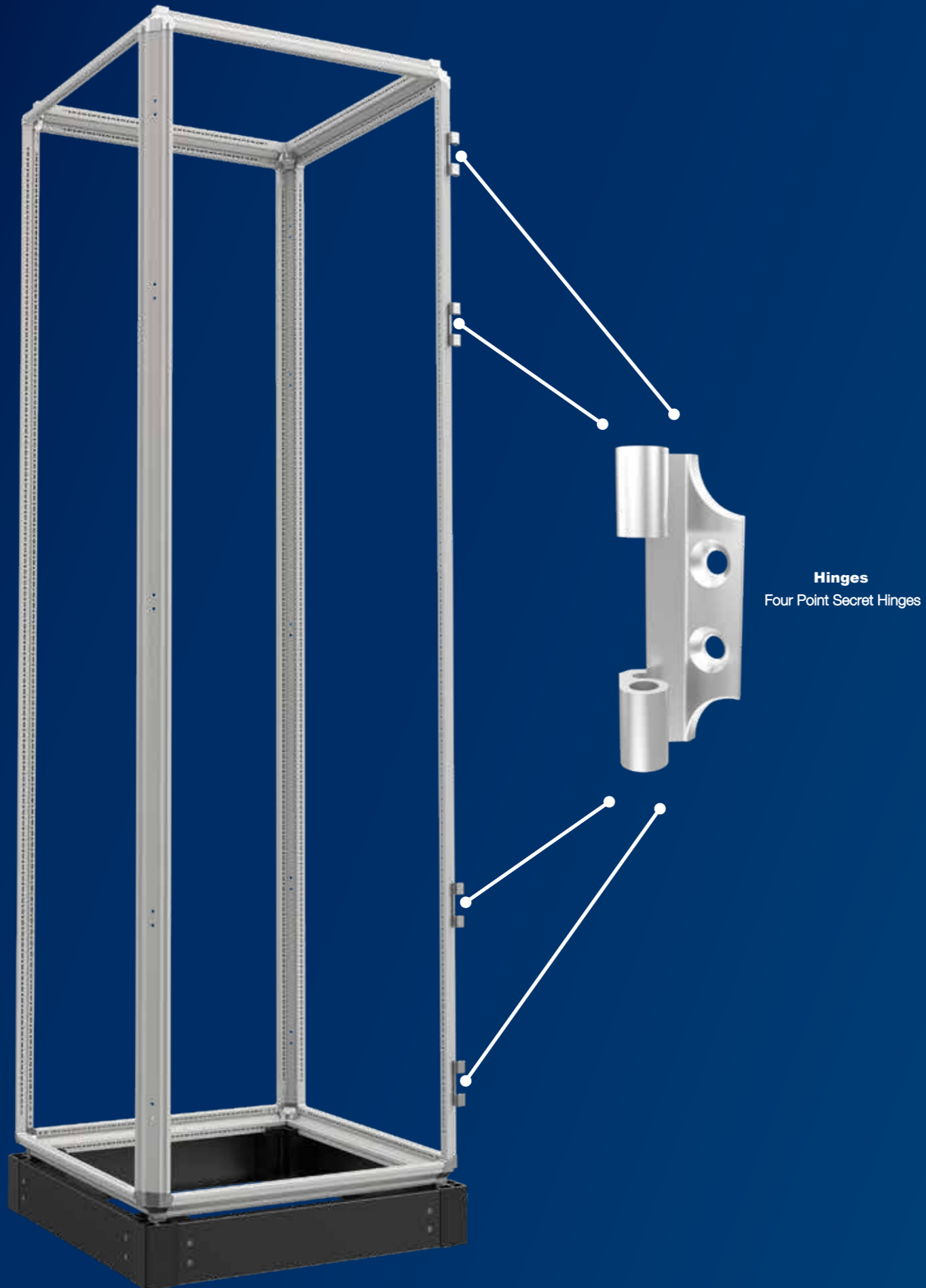
1,5 mm electrostatic powder paint mild steel

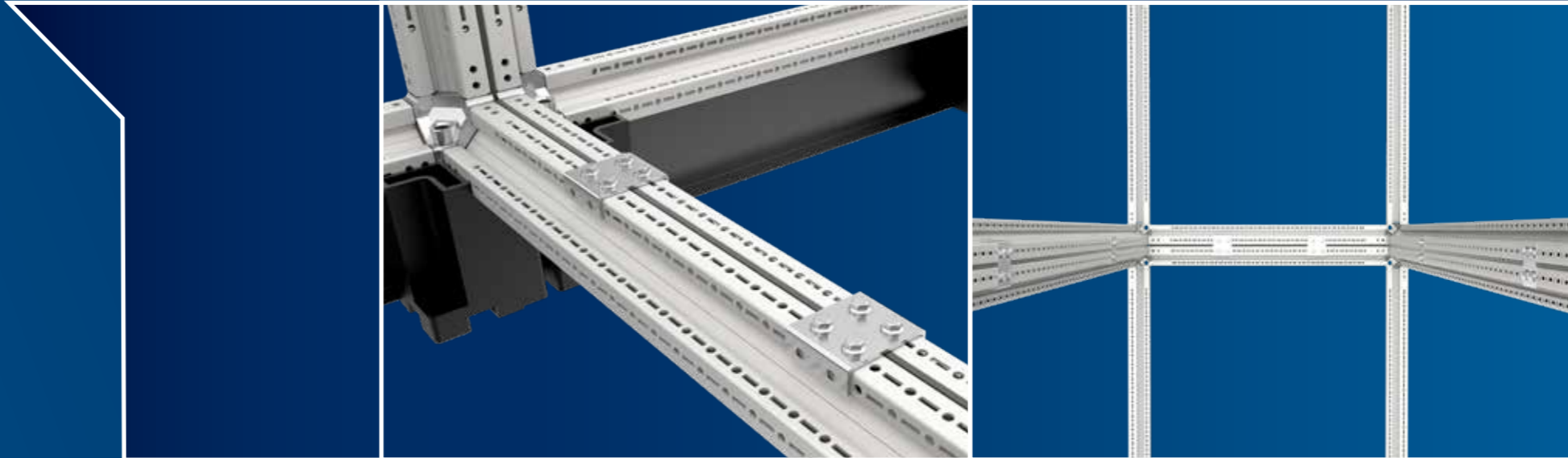
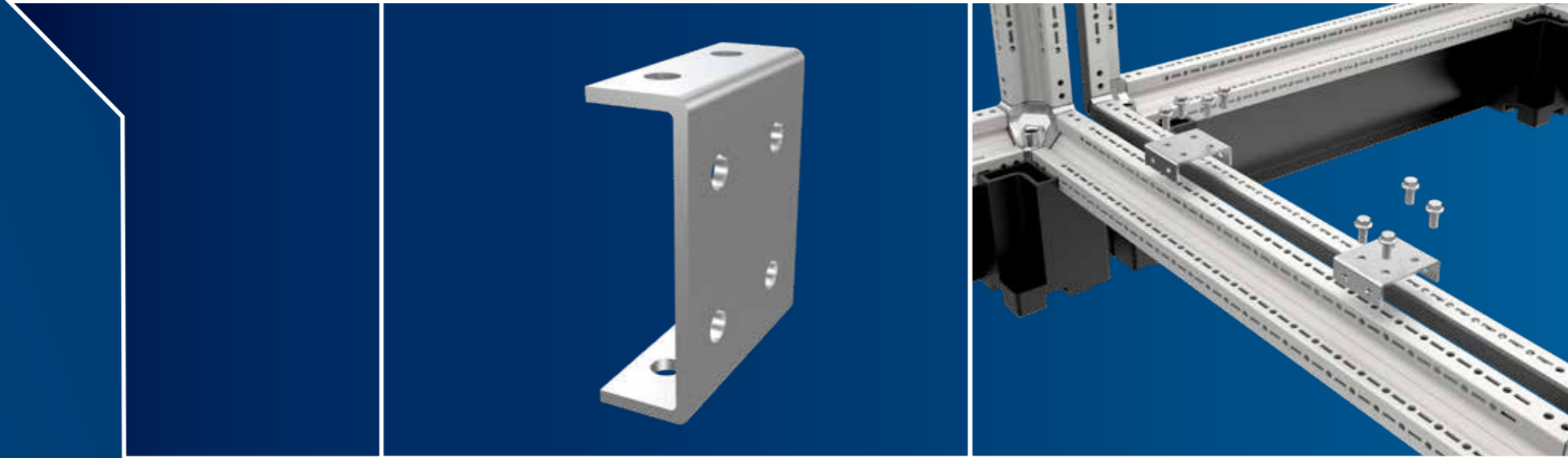


Base System

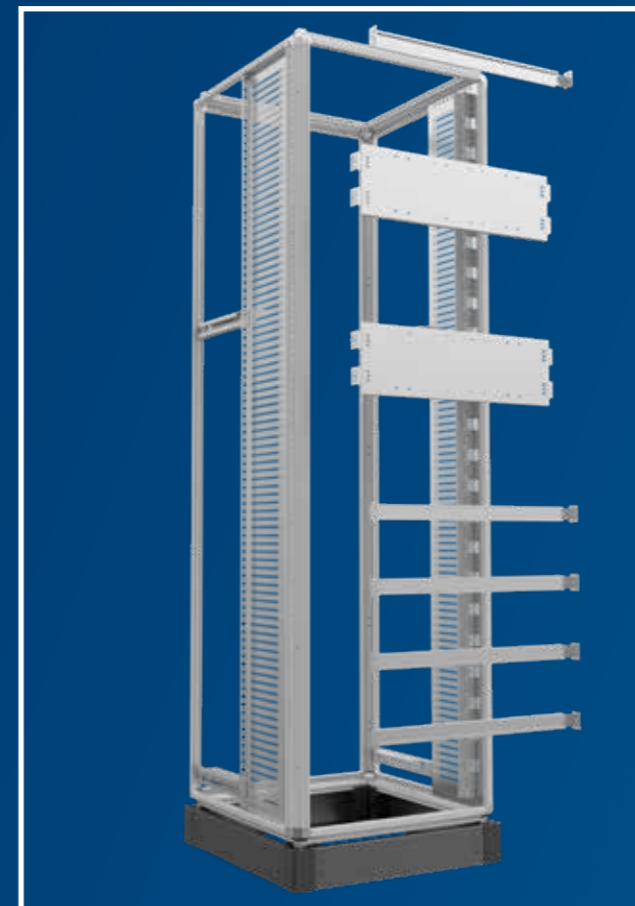
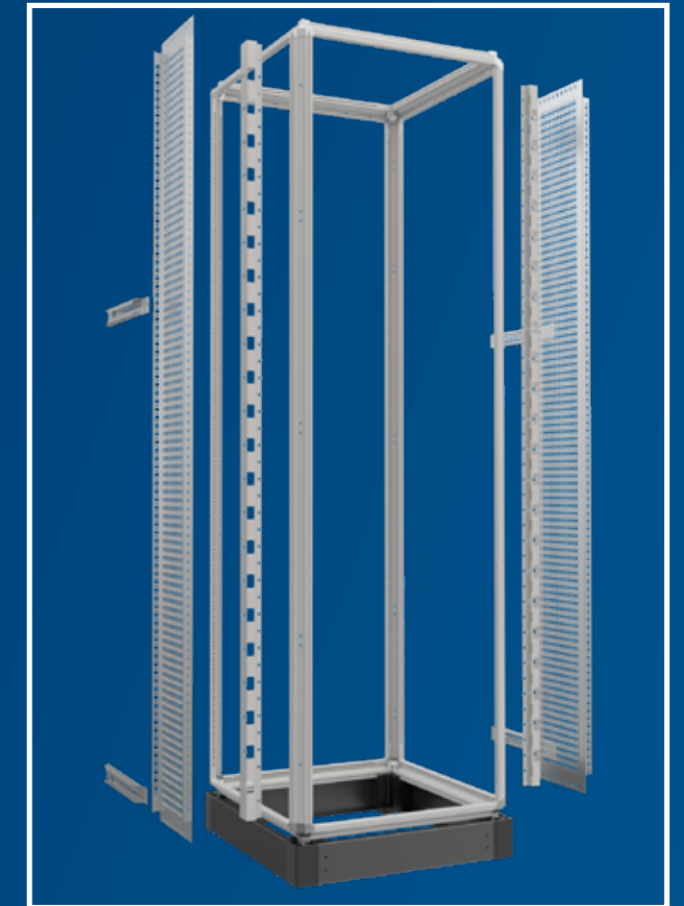
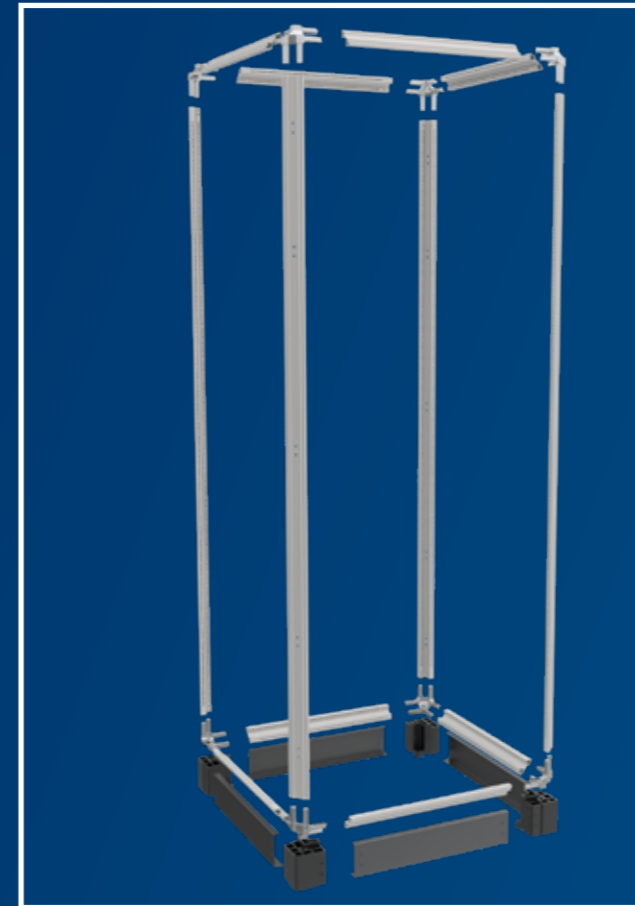
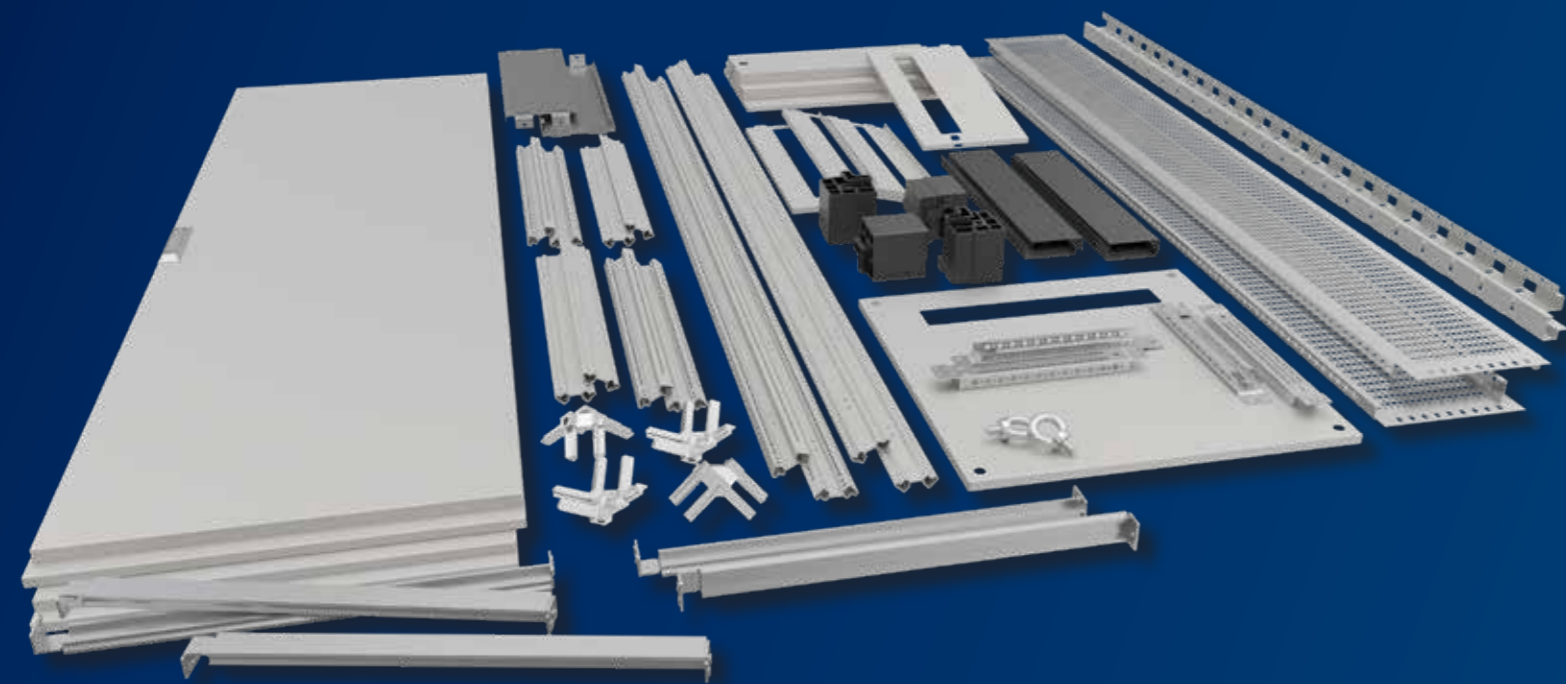
Easy fixing to the floor with plastic feet
Reliable Insulation





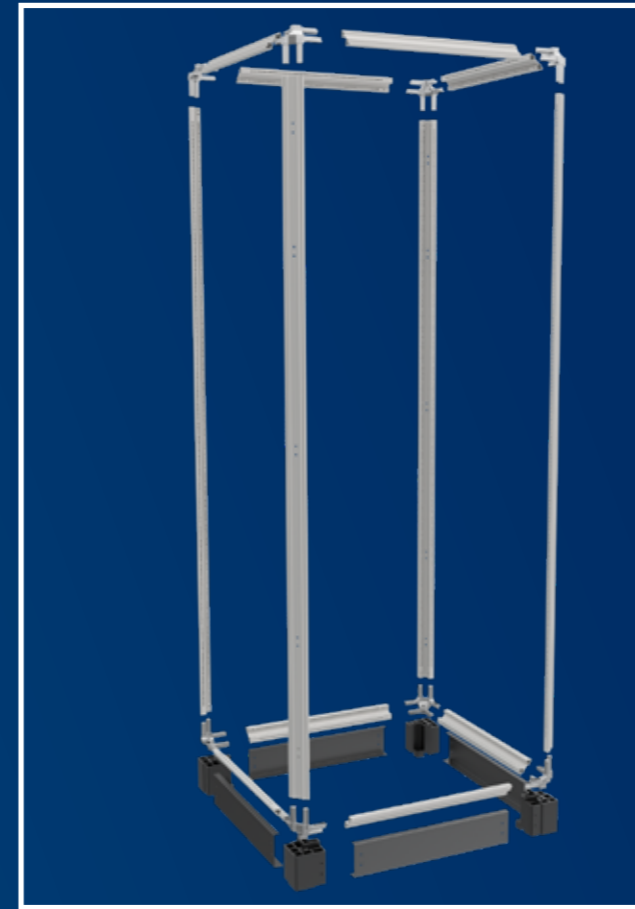
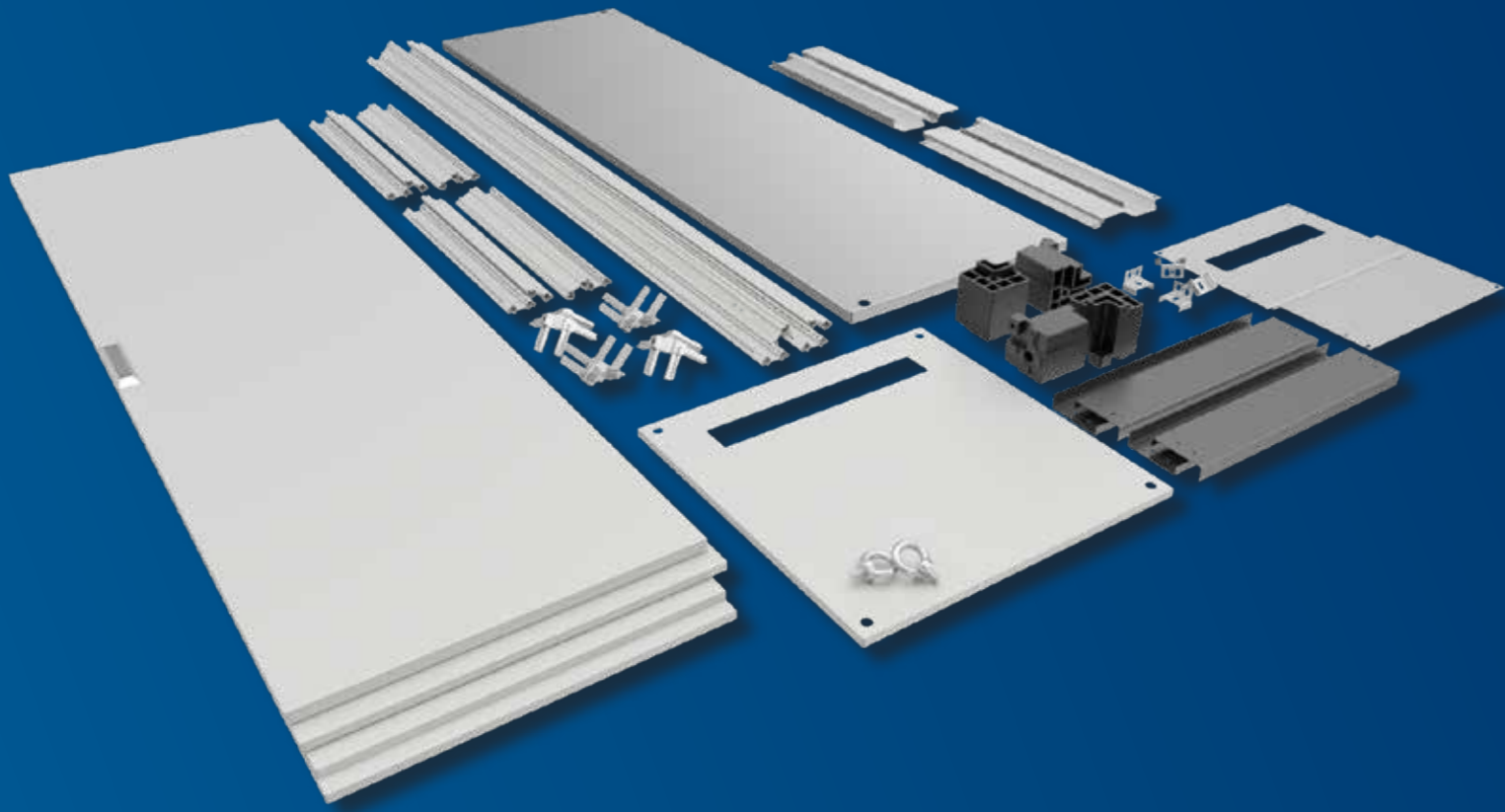


It is connected at eight different points with the help of screws, and provides practicality and easy installation to the user. Gaskets are used between two panels.



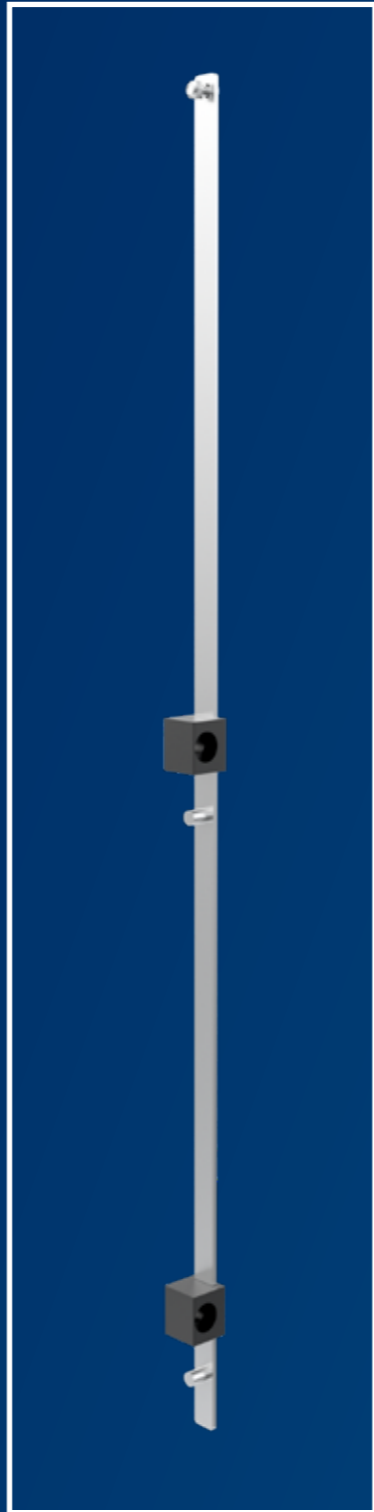
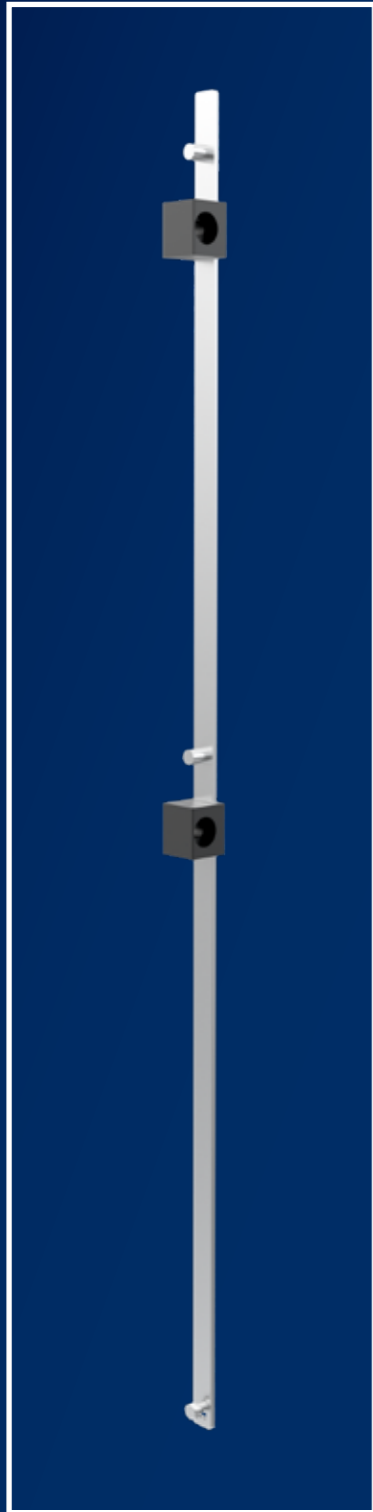
PARTS NAME

- Body
- Zamak Corner
- Punched Metal
- Slide Rail
- Inner Side Column
- Cover
- Inside Part
- Front Door
- Side Door
- Back Door
- Tophat
- Plastic Base
- Base
- Eye Bolts



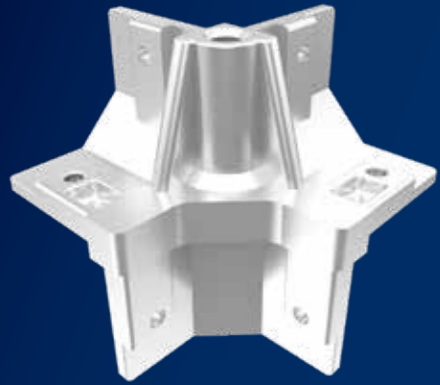
PARTS NAME

- Body
- Zamak Corner
- Slide Rail
- Mounting Plate
- Front Door
- Side Door
- Back Door
- Tophat
- Bottom Closing
- Plastic Base
- Base
- Eye Bolts



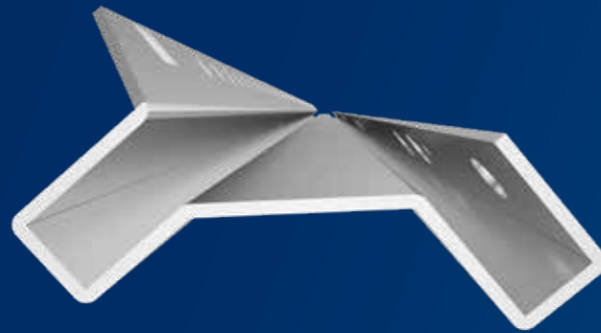
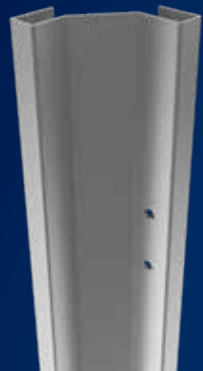
- High security with four point locking
- High resistance against corrosion
- Aesthetic look





Aluminum Corner

It is used at the corner points of TT Series panels, when combined with the poles, it forms the frame of the panel. It provides easy assembly and modularity. It is produced with aluminum casting. Welding and paint are not used.

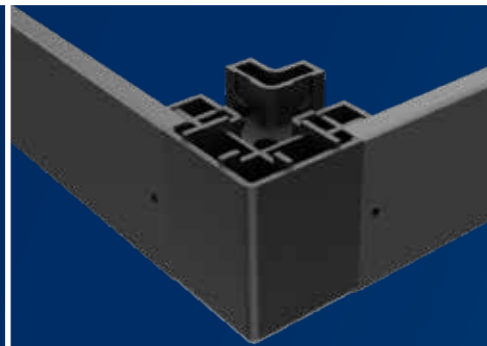


Pole

Its open profile structure is extremely resistant to horizontal and vertical pressure. Paint is not used and is very resistant to corrosion.

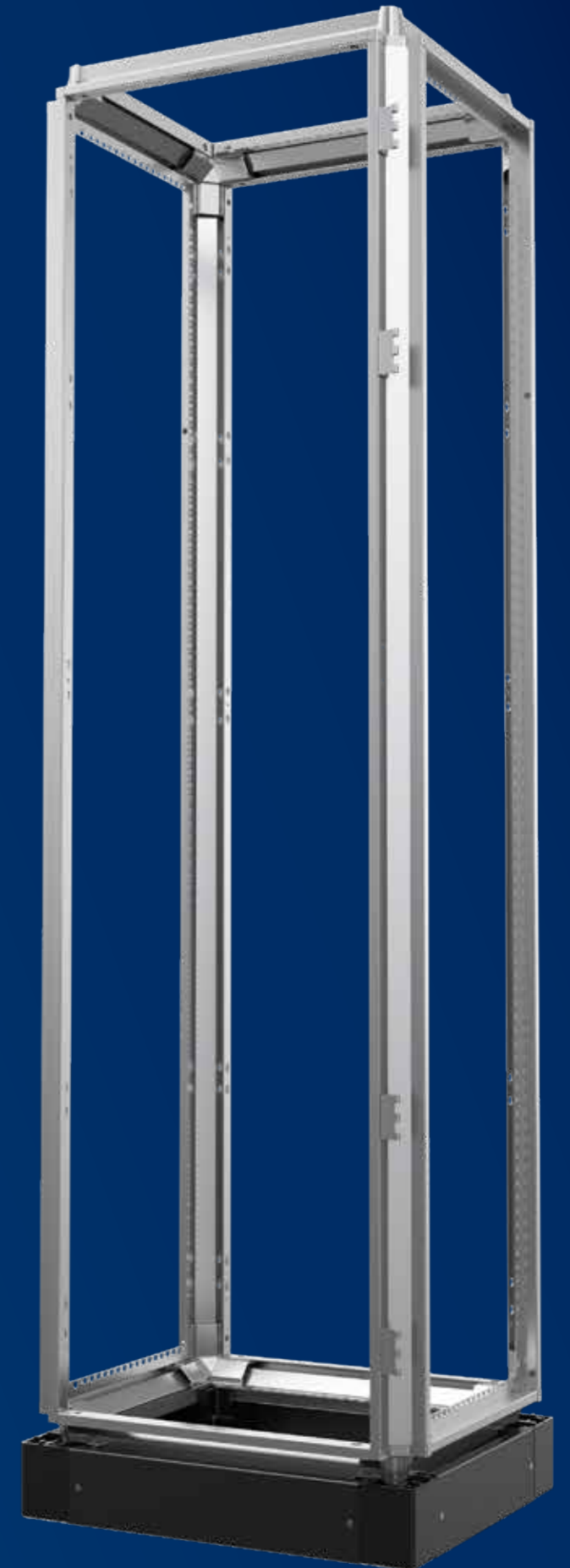
Frame

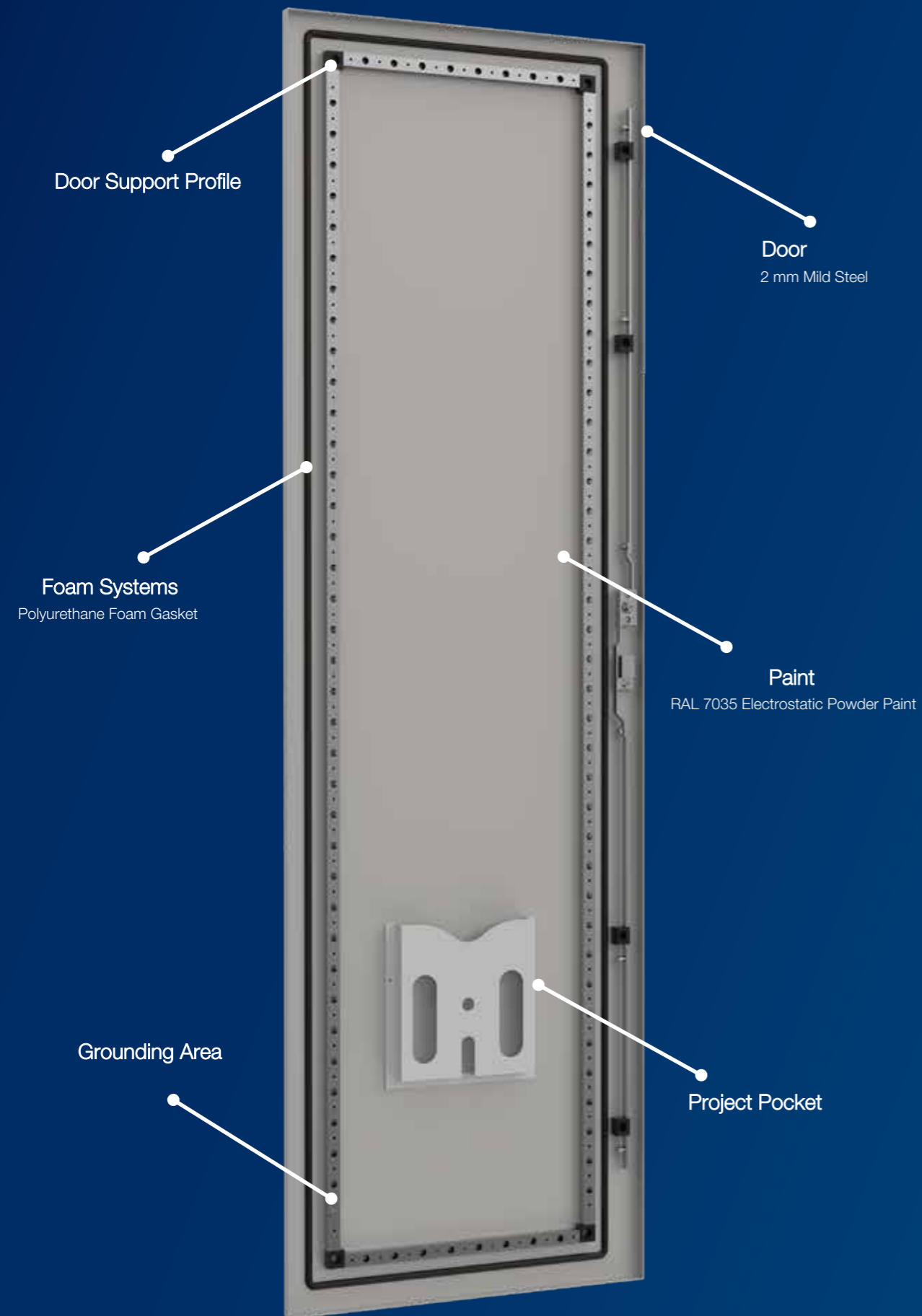
2 mm Galvanized Steel



Base System

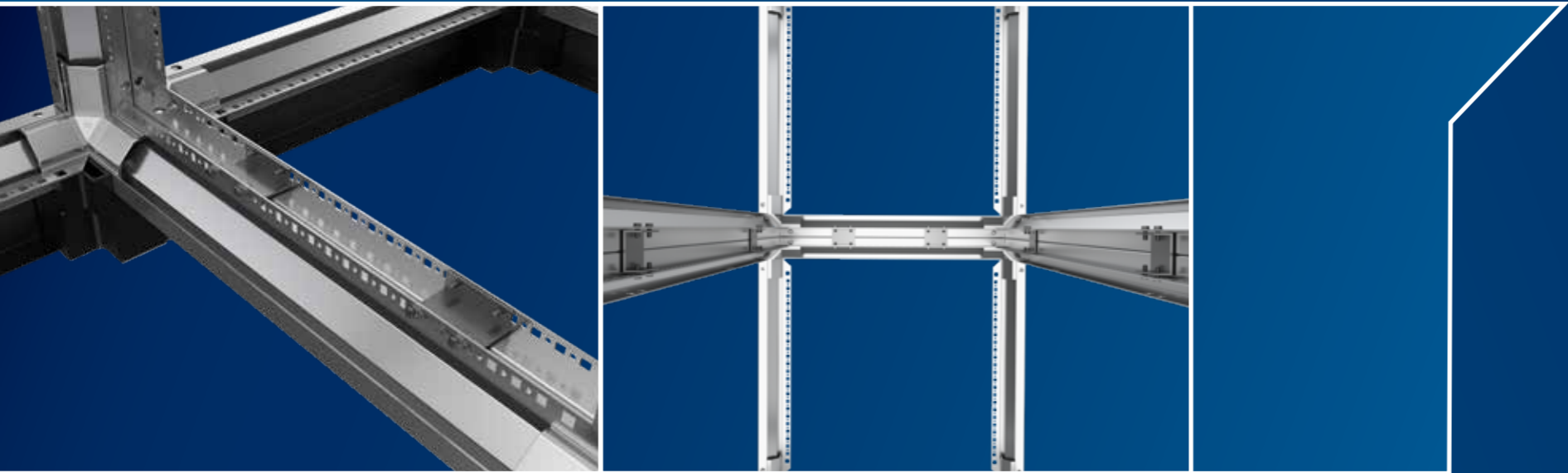
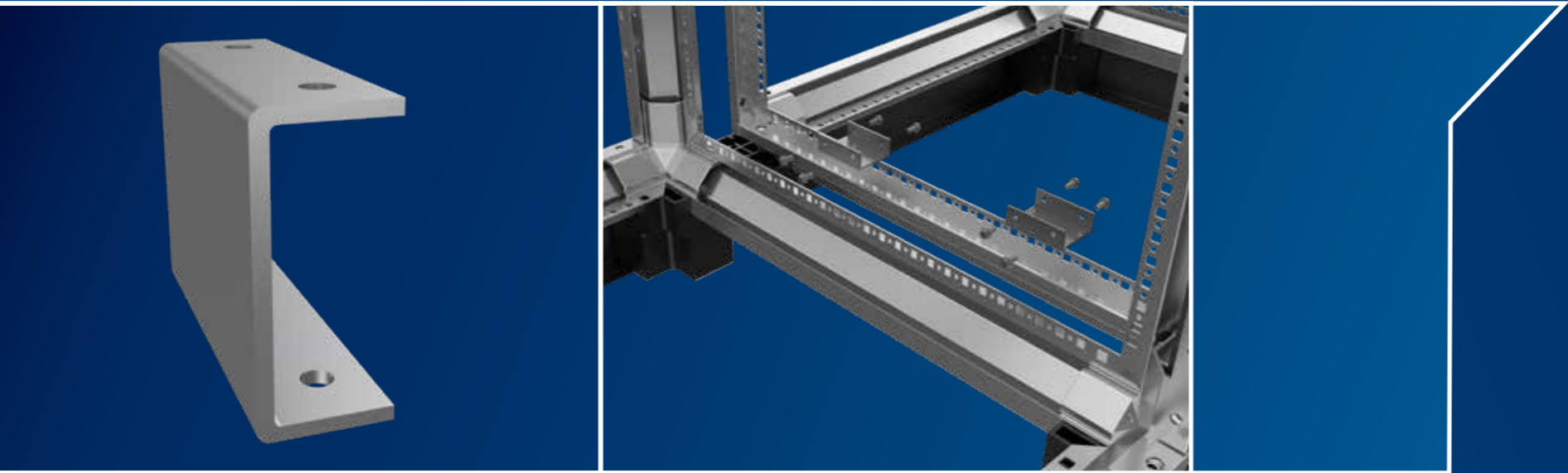
Easy fixing to the floor with plastic feet Reliable Insulation





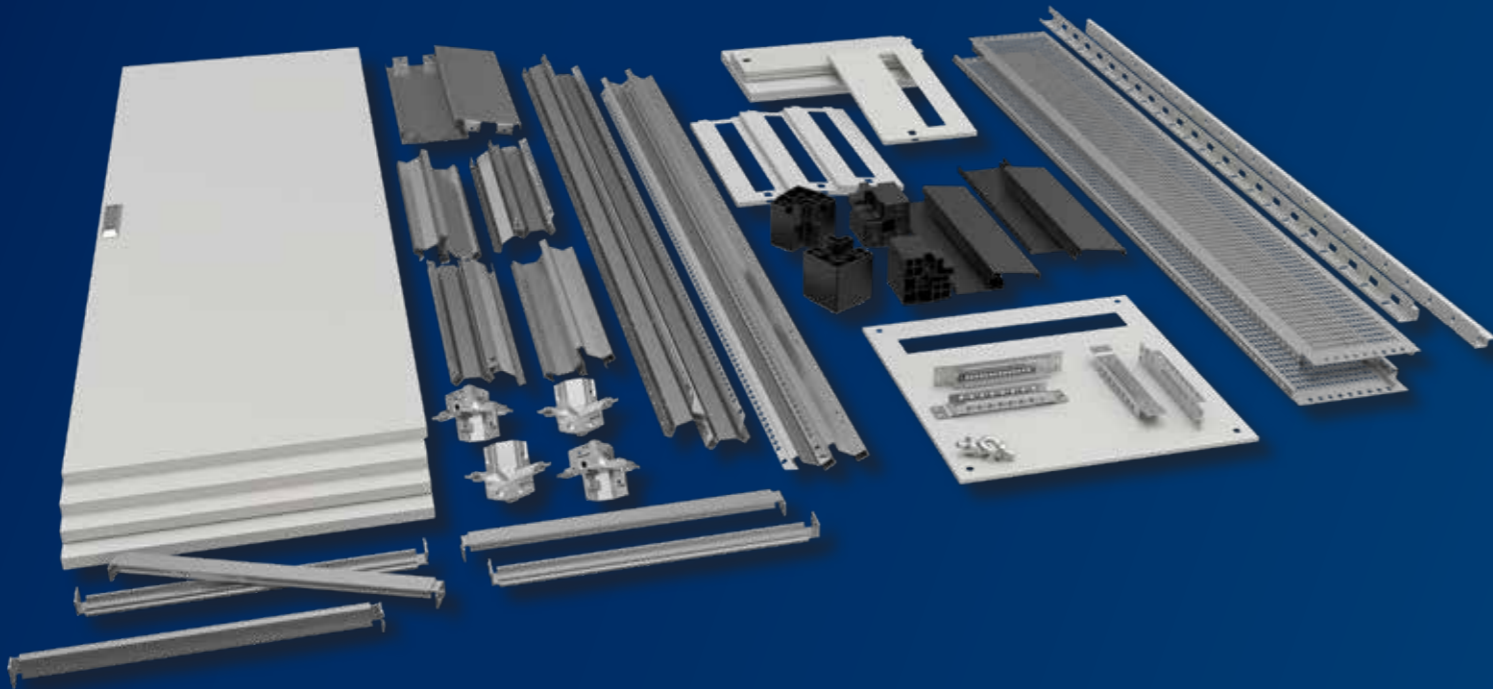
Hinges
Four Point Secret Hinges





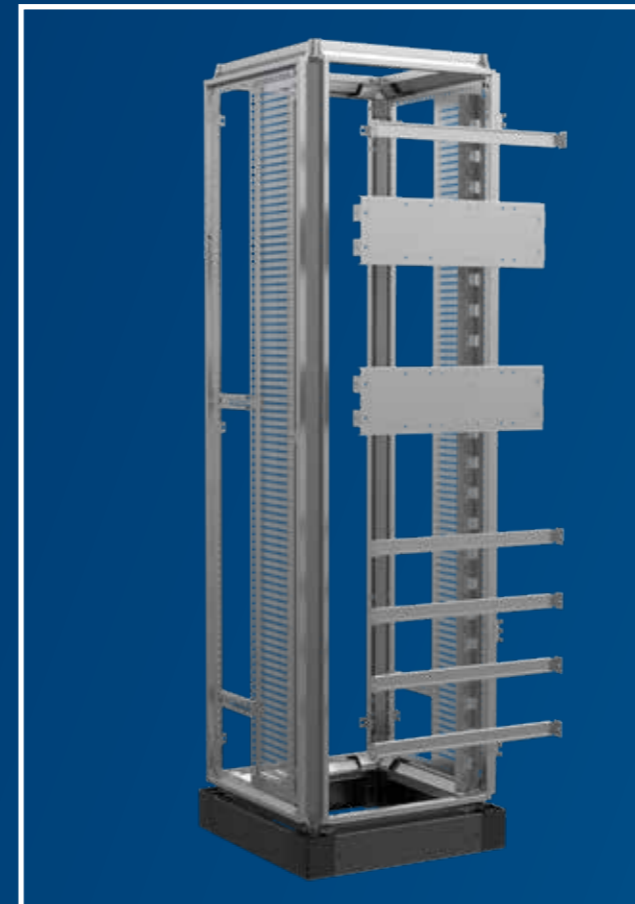
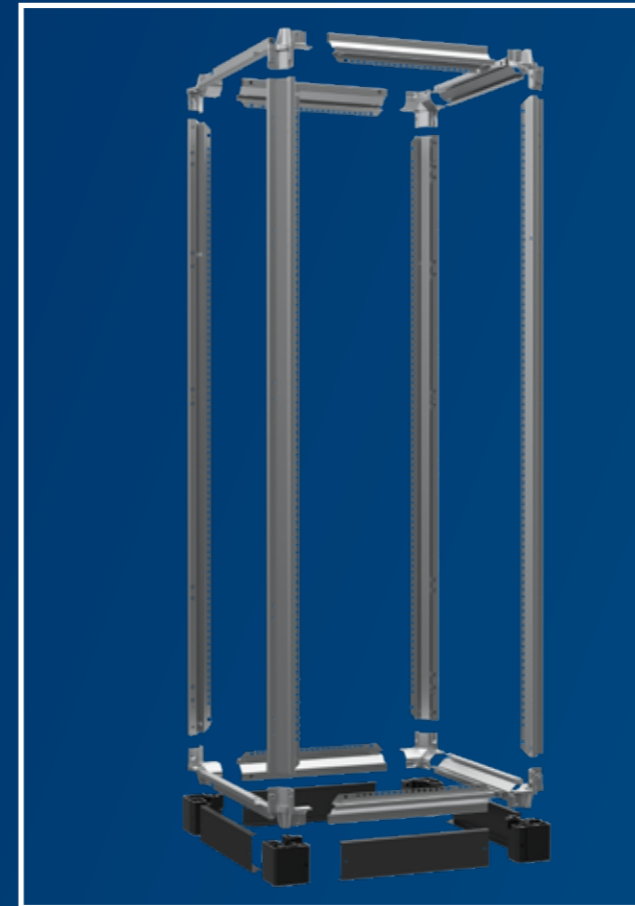
It is connected at eight different points with the help of screws, and provides practicality and easy installation to the user.

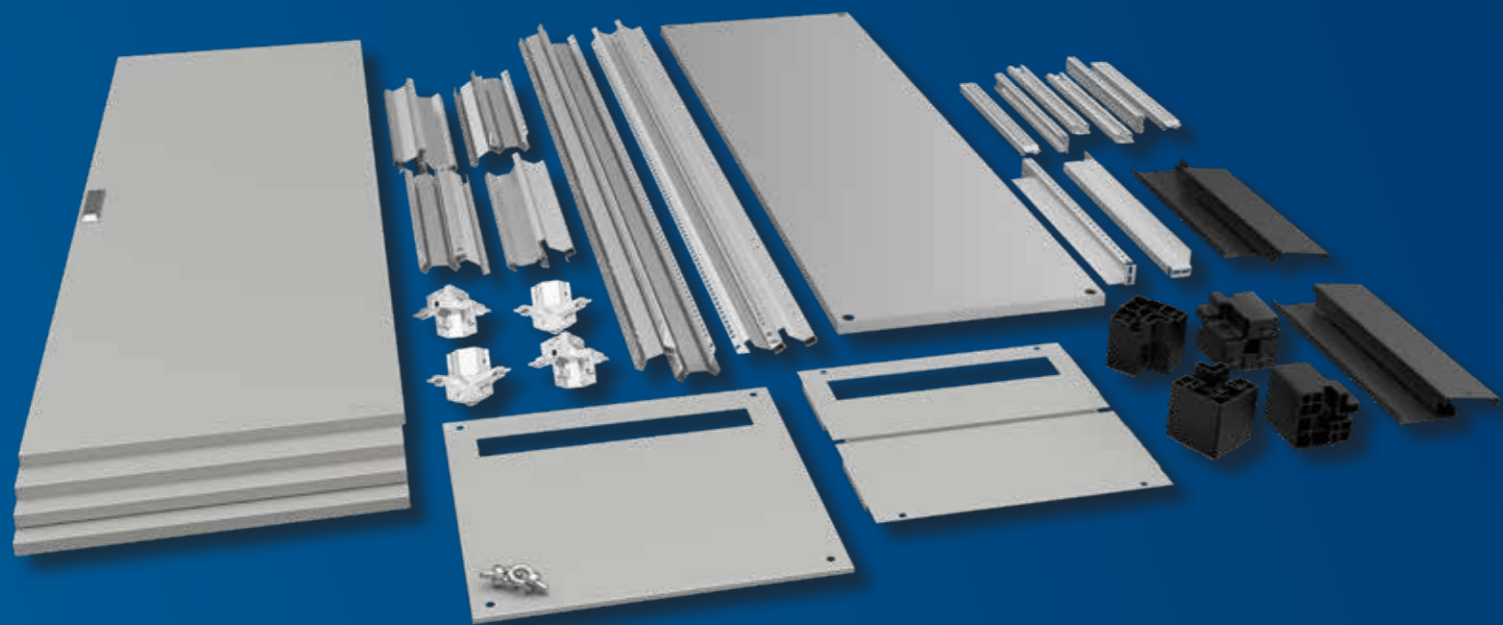




PARTS NAME

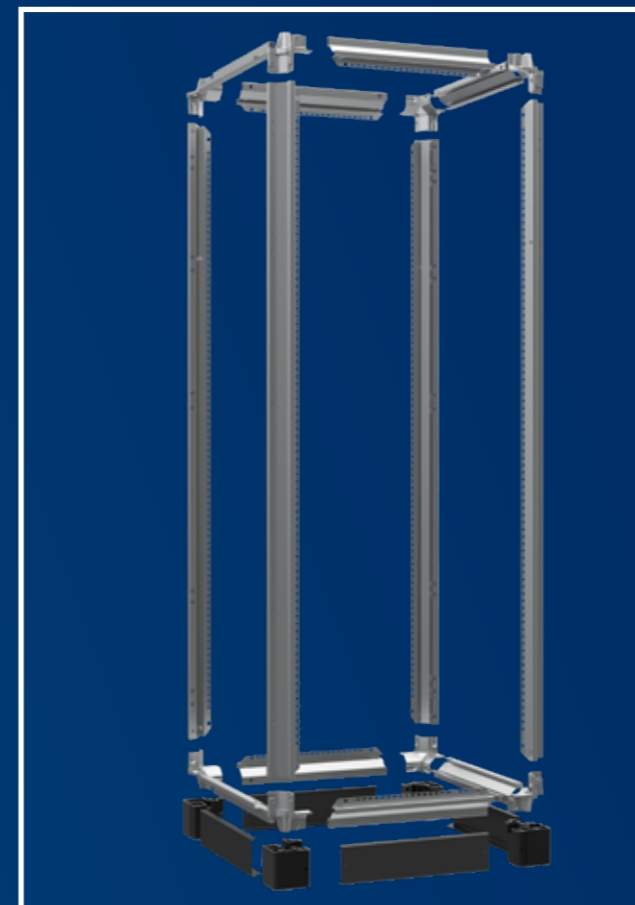
- Body
- Aluminum Corner
- Punched Metal
- Slide Rail
- Inner Side Column
- Cover
- Inside Part
- Front Door
- Side Door
- Back Door
- Tophat
- Plastic Base
- Base
- Eye Bolts





PARTS NAME

- Body
- Aluminum Corner
- Slide Rail
- Mounting Plate
- Front Door
- Side Door
- Back Door
- Tophat
- Bottom Closing
- Plastic Base
- Base
- tts





Eye Bolt Option 1

Hoist rings designed for crane transport provide balancing and containment in single or combined panels.



Eye Bolt Option 2

Hoist rings designed for crane transport provide balancing and containment in single or combined panels.





STANDING TYPE MODULAR PANELS

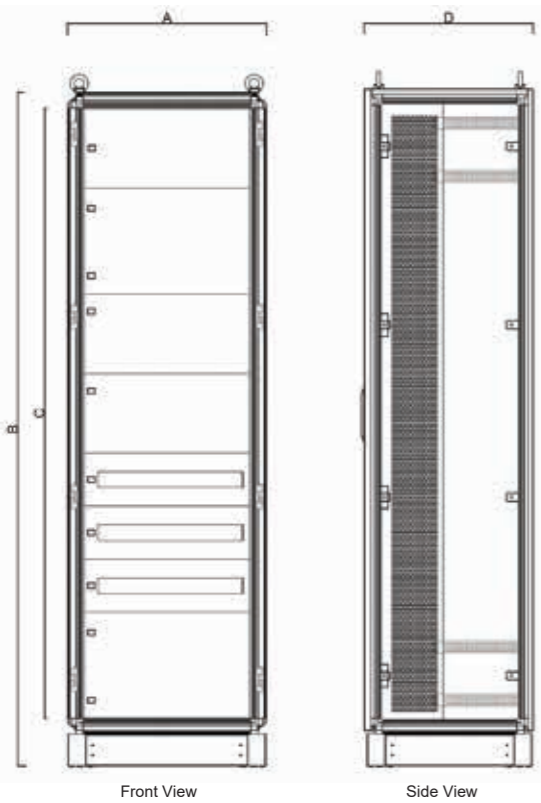
MOD Series Panel Board With Dead Front.....	33
MOD Series Panel Board With Mounting Plate.....	36
TT Series Panel Board With Dead Front.....	39
TT Series Panel Board With Mounting Plate.....	42
Meter Panels.....	45
Inside Assembling Sets and Parts.....	49
Inside Assembling Curtains.....	61
Front Door Alternatives.....	63

MOD SERIES PANEL BOARD WITH DEAD FRONT



Inside Assembling Equipment Pages 49-62

Front Door Alternatives Pages 63-64



A (mm): Width
 B (mm): Height
 C (mm): Inside Usage Height
 D (mm): Depth

Product Code	A (mm)	B (mm)	C (mm)	D (mm)
1QL4184	400	1820	1600	400
1QL5184	500			
1QL6184	600			
1QL7184	700			
1QL8184	800			
1QL9184	900			
1QL4185	400	1820	1600	500
1QL5185	500			
1QL6185	600			
1QL7185	700			
1QL8185	800			
1QL9185	900			
1QL4186	400	1820	1600	600
1QL5186	500			
1QL6186	600			
1QL7186	700			
1QL8186	800			
1QL9186	900			
1QL4186	400	1820	1600	700
1QL5187	500			
1QL6187	600			
1QL7187	700			
1QL8187	800			
1QL9187	900			
1QL4188	400	1820	1600	800
1QL5188	500			
1QL6188	600			
1QL7188	700			
1QL8188	800			
1QL9188	900			

MOD SERIES PANEL BOARD WITH DEAD FRONT

Product Code	A (mm)	B (mm)	C (mm)	D (mm)
1QL4204	400	2060	1840	400
1QL5204	500			
1QL6204	600			
1QL7204	700			
1QL8204	800			
1QL9204	900			
1QL4205	400	2060	1840	500
1QL5205	500			
1QL6205	600			
1QL7205	700			
1QL8205	800			
1QL9205	900			
1QL4206	400	2060	1840	600
1QL5206	500			
1QL6206	600			
1QL7206	700			
1QL8206	800			
1QL9206	900			
1QL4206	400	2060	1840	700
1QL5207	500			
1QL6207	600			
1QL7207	700			
1QL8207	800			
1QL9207	900			
1QL4208	400	2060	1840	800
1QL5208	500			
1QL6208	600			
1QL7208	700			
1QL8208	800			
1QL9208	900			
1QL0208	1000			
1QL1208	1100			
1QL2208	1200			
1QL4208	400			
1QL5209	500			
1QL6209	600			
1QL7209	700			
1QL8209	800			
1QL9209	900			
1QL0209	1000			
1QL1209	1100			
1QL2209	1200			
1QL4201	400	2060	1840	1000
1QL5201	500			
1QL6201	600			
1QL7201	700			
1QL8201	800			
1QL9201	900			
1QL0201	1000			
1QL1201	1100			
1QL2201	1200			

Product Code	A (mm)	B (mm)	C (mm)	D (mm)
1QL4214	400	2140	1920	400
1QL5214	500			
1QL6214	600			
1QL7214	700			
1QL8214	800			
1QL9214	900			
1QL4215	400	2140	1920	500
1QL5215	500			
1QL6215	600			
1QL7215	700			
1QL8215	800			
1QL9215	900			
1QL4216	400	2140	1920	600
1QL5216	500			
1QL6216	600			
1QL7216	700			
1QL8216	800			
1QL9216	900			
1QL4216	400	2140	1920	700
1QL5217	500			
1QL6217	600			
1QL7217	700			
1QL8217	800			
1QL9217	900			
1QL4218	400	2140	1920	800
1QL5218	500			
1QL6218	600			
1QL7218	700			
1QL8218	800			
1QL9218	900			
1QL0218	1000			
1QL1218	1100			
1QL2218	1200			
1QL4218	400			
1QL5219	500			
1QL6219	600			
1QL7219	700			
1QL8219	800			
1QL9219	900			
1QL0219	1000			
1QL1219	1100			
1QL2219	1200			
1QL4211	400	2140	1920	1000
1QL5211	500			
1QL6211	600			
1QL7211	700			
1QL8211	800			
1QL9211	900			
1QL0211	1000			
1QL1211	1100			
1QL2211	1200			

MOD SERIES PANEL BOARD WITH DEAD FRONT

Product Code	A (mm)	B (mm)	C (mm)	D (mm)
1QL4224	400	2220	2000	400
1QL5224	500			
1QL6224	600			
1QL7224	700			
1QL8224	800			
1QL9224	900			
1QL4225	400			
1QL5225	500			
1QL6225	600			
1QL7225	700			
1QL8225	800			
1QL9225	900			
1QL4226	400			
1QL5226	500			
1QL6226	600			
1QL7226	700			
1QL8226	800			
1QL9226	900			
1QL4226	400			
1QL5227	500			
1QL6227	600			
1QL7227	700			
1QL8227	800			
1QL9227	900			
1QL4228	400			
1QL5228	500			
1QL6228	600			
1QL7228	700			
1QL8228	800			
1QL9228	900			
1QL0228	1000			
1QL1228	1100			
1QL2228	1200			
1QL4228	400			
1QL5229	500			
1QL6229	600			
1QL7229	700			
1QL8229	800			
1QL9229	900			
1QL0229	1000			
1QL1229	1100			
1QL2229	1200			
1QL4221	400			
1QL5221	500			
1QL6221	600			
1QL7221	700			
1QL8221	800			
1QL9221	900			
1QL0221	1000			
1QL1221	1100			
1QL2221	1200			

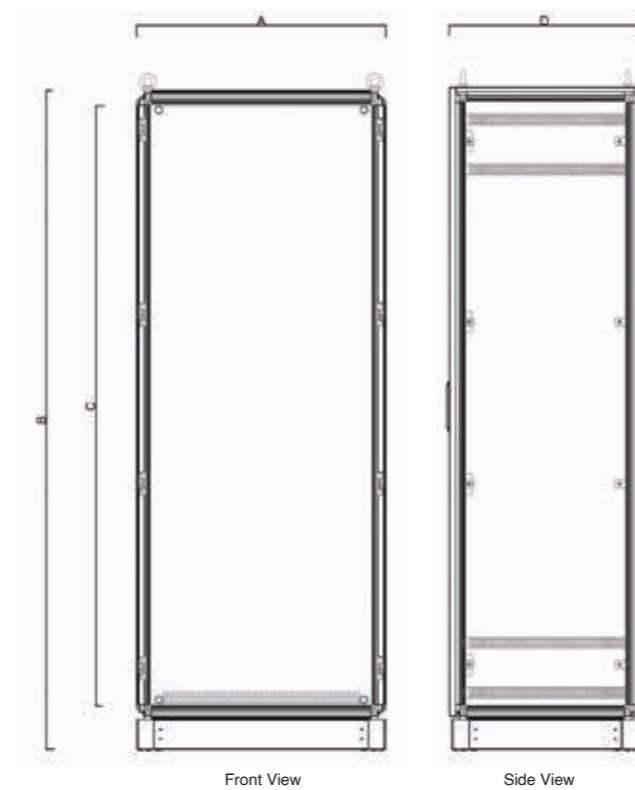
Product Code	A (mm)	B (mm)	C (mm)	D (mm)
1QL4234	400	2300	2080	400
1QL5234	500			
1QL6234	600			
1QL7234	700			
1QL8234	800			
1QL9234	900			
1QL4235	400			
1QL5235	500			
1QL6235	600			
1QL7235	700			
1QL8235	800			
1QL9235	900			
1QL4236	400			
1QL5236	500			
1QL6236	600			
1QL7236	700			
1QL8236	800			
1QL9236	900			
1QL4236	400			
1QL5237	500			
1QL6237	600			
1QL7237	700			
1QL8237	800			
1QL9237	900			
1QL4238	400			
1QL5238	500			
1QL6238	600			
1QL7238	700			
1QL8238	800			
1QL9238	900			
1QL0238	1000			
1QL1238	1100			
1QL2238	1200			
1QL4238	400			
1QL5239	500			
1QL6239	600			
1QL7239	700			
1QL8239	800			
1QL9239	900			
1QL0239	1000			
1QL1239	1100			
1QL2239	1200			
1QL4231	400			
1QL5231	500			
1QL6231	600			
1QL7231	700			
1QL8231	800			
1QL9231	900			
1QL9231	900			
1QL9231	900			
1QL9231	900			

MOD SERIES PANEL BOARD WITH MOUNTING PLATE



Inside Assembling Equipment Pages 49-62

Front Door Alternatives Pages 63-64



A (mm): Width
 B (mm): Height
 C (mm): Inside Usage Height
 D (mm): Depth

Product Code	A (mm)	B (mm)	C (mm)	D (mm)
1UL4184	400	1820	1600	400
1UL5184	500			
1UL6184	600			
1UL7184	700			
1UL8184	800			
1UL9184	900			
1UL4185	400	1820	1600	500
1UL5185	500			
1UL6185	600			
1UL7185	700			
1UL8185	800			
1UL9185	900			
1UL4186	400	1820	1600	600
1UL5186	500			
1UL6186	600			
1UL7186	700			
1UL8186	800			
1UL9186	900			
1UL4186	400	1820	1600	700
1UL5187	500			
1UL6187	600			
1UL7187	700			
1UL8187	800			
1UL9187	900			
1UL4188	400	1820	1600	800
1UL5188	500			
1UL6188	600			
1UL7188	700			
1UL8188	800			
1UL9188	900			

MOD SERIES PANEL BOARD WITH MOUNTING PLATE

Product Code	A (mm)	B (mm)	C (mm)	D (mm)
1UL4204	400	2060	1840	400
1UL5204	500			
1UL6204	600			
1UL7204	700			
1UL8204	800			
1UL9204	900			
1UL4205	400	2060	1840	500
1UL5205	500			
1UL6205	600			
1UL7205	700			
1UL8205	800			
1UL9205	900			
1UL4206	400	2060	1840	600
1UL5206	500			
1UL6206	600			
1UL7206	700			
1UL8206	800			
1UL9206	900			
1UL4206	400	2060	1840	700
1UL5207	500			
1UL6207	600			
1UL7207	700			
1UL8207	800			
1UL9207	900			
1UL4208	400	2060	1840	800
1UL5208	500			
1UL6208	600			
1UL7208	700			
1UL8208	800			
1UL9208	900			
1UL0208	1000			
1UL1208	1100			
1UL2208	1200			
1UL4208	400			
1UL5209	500			
1UL6209	600			
1UL7209	700			
1UL8209	800			
1UL9209	900			
1UL0209	1000			
1UL1209	1100			
1UL2209	1200			
1UL4201	400	2060	1840	1000
1UL5201	500			
1UL6201	600			
1UL7201	700			
1UL8201	800			
1UL9201	900			
1UL0201	1000			
1UL1201	1100			
1UL2201	1200			

Product Code	A (mm)	B (mm)	C (mm)	D (mm)
1UL4214	400	2140	1920	400
1UL5214	500			
1UL6214	600			
1UL7214	700			
1UL8214	800			
1UL9214	900			
1UL4215	400	2140	1920	500
1UL5215	500			
1UL6215	600			
1UL7215	700			
1UL8215	800			
1UL9215	900			
1UL4216	400	2140	1920	600
1UL5216	500			
1UL6216	600			
1UL7216	700			
1UL8216	800			
1UL9216	900			
1UL4216	400	2140	1920	700
1UL5217	500			
1UL6217	600			
1UL7217	700			
1UL8217	800			
1UL9217	900			
1UL4218	400	2140	1920	800
1UL5218	500			
1UL6218	600			
1UL7218	700			
1UL8218	800			
1UL9218	900			
1UL0218	1000			
1UL1218	1100			
1UL2218	1200			
1UL4218	400			
1UL5219	500			
1UL6219	600			
1UL7219	700			
1UL8219	800			
1UL9219	900			
1UL0219	1000			
1UL1219	1100			
1UL2219	1200			
1UL4211	400	2140	1920	1000
1UL5211	500			
1UL6211	600			
1UL7211	700			
1UL8211	800			
1UL9211	900			
1UL0211	1000			
1UL1211	1100			
1UL2211	1200			

MOD SERIES PANEL BOARD WITH MOUNTING PLATE

Product Code	A (mm)	B (mm)	C (mm)	D (mm)
1UL4224	400	2220	2000	400
1UL5224	500			
1UL6224	600			
1UL7224	700			
1UL8224	800			
1UL9224	900			
1UL4225	400	2220	2000	500
1UL5225	500			
1UL6225	600			
1UL7225	700			
1UL8225	800			
1UL9225	900			
1UL4226	400	2220	2000	600
1UL5226	500			
1UL6226	600			
1UL7226	700			
1UL8226	800			
1UL9226	900			
1UL4226	400	2220	2000	700
1UL5227	500			
1UL6227	600			
1UL7227	700			
1UL8227	800			
1UL9227	900			
1UL4228	400	2220	2000	800
1UL5228	500			
1UL6228	600			
1UL7228	700			
1UL8228	800			
1UL9228	900			
1UL0228	1000			
1UL1228	1100			
1UL2228	1200			
1UL4228	400			
1UL5229	500			
1UL6229	600			
1UL7229	700			
1UL8229	800			
1UL9229	900			
1UL0229	1000			
1UL1229	1100			
1UL2229	1200			
1UL4221	400	2220	2000	1000
1UL5221	500			
1UL6221	600			
1UL7221	700			
1UL8221	800			
1UL9221	900			
1UL0221	1000			
1UL1221	1100			
1UL2221	1200			

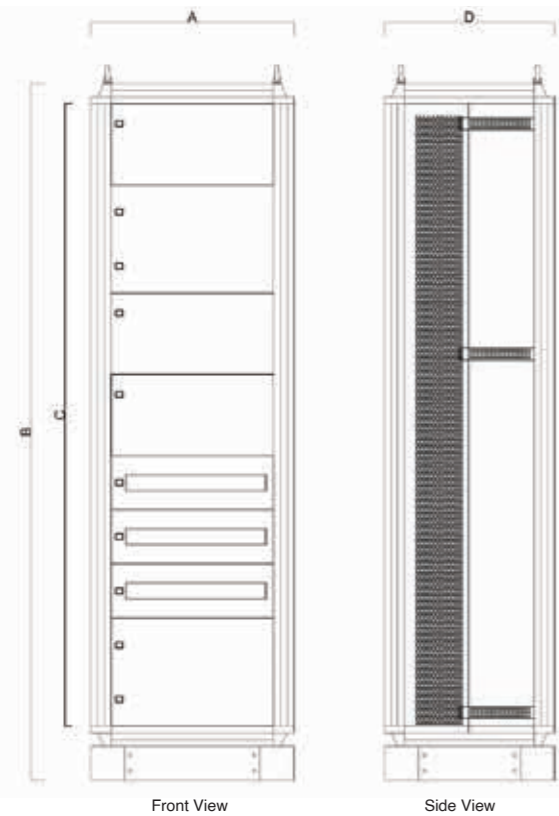
Product Code	A (mm)	B (mm)	C (mm)	D (mm)
1UL4234	400	2300	2080	400
1UL5234	500			
1UL6234	600			
1UL7234	700			
1UL8234	800			
1UL9234	900			
1UL4235	400	2300	2080	500
1UL5235	500			
1UL6235	600			
1UL7235	700			
1UL8235	800			
1UL9235	900			
1UL4236	400	2300	2080	600
1UL5236	500			
1UL6236	600			
1UL7236	700			
1UL8236	800			
1UL9236	900			
1UL4236	400	2300	2080	700
1UL5237	500			
1UL6237	600			
1UL7237	700			
1UL8237	800			
1UL9237	900			
1UL4238	400	2300	2080	800
1UL5238	500			
1UL6238	600			
1UL7238	700			
1UL8238	800			
1UL9238	900			
1UL0238	1000			
1UL1238	1100			
1UL2238	1200			
1UL4238	400			
1UL5239	500			
1UL6239	600			
1UL7239	700			
1UL8239	800			
1UL9239	900			
1UL0239	1000			
1UL1239	1100			
1UL2239	1200			
1UL4231	400	2300	2080	1000
1UL5231	500			
1UL6231	600			
1UL7231	700			
1UL8231	800			
1UL9231	900			
1UL0231	1000			
1UL1231	1100			
1UL2231	1200			

TT SERIES PANEL BOARD WITH DEAD FRONT



Inside Assembling Equipment Pages 49-62

Front Door Alternatives Pages 63-64



A (mm): Width
 B (mm): Height
 C (mm): Inside Usage Height
 D (mm): Depth

Product Code	A (mm)	B (mm)	C (mm)	D (mm)
2QL4184	400	1820	1600	400
2QL5184	500			
2QL6184	600			
2QL7184	700			
2QL8184	800			
2QL9184	900			
2QL4185	400	1820	1600	500
2QL5185	500			
2QL6185	600			
2QL7185	700			
2QL8185	800			
2QL9185	900			
2QL4186	400	1820	1600	600
2QL5186	500			
2QL6186	600			
2QL7186	700			
2QL8186	800			
2QL9186	900			
2QL4186	400	1820	1600	700
2QL5187	500			
2QL6187	600			
2QL7187	700			
2QL8187	800			
2QL9187	900			
2QL4188	400	1820	1600	800
2QL5188	500			
2QL6188	600			
2QL7188	700			
2QL8188	800			
2QL9188	900			

TT SERIES PANEL BOARD WITH DEAD FRONT

Product Code	A (mm)	B (mm)	C (mm)	D (mm)
2QL4204	400	2060	1840	400
2QL5204	500			
2QL6204	600			
2QL7204	700			
2QL8204	800			
2QL9204	900			
2QL4205	400	2060	1840	500
2QL5205	500			
2QL6205	600			
2QL7205	700			
2QL8205	800			
2QL9205	900			
2QL4206	400	2060	1840	600
2QL5206	500			
2QL6206	600			
2QL7206	700			
2QL8206	800			
2QL9206	900			
2QL4206	400	2060	1840	700
2QL5207	500			
2QL6207	600			
2QL7207	700			
2QL8207	800			
2QL9207	900			
2QL4208	400	2060	1840	800
2QL5208	500			
2QL6208	600			
2QL7208	700			
2QL8208	800			
2QL9208	900			
2QL0208	1000			
2QL1208	1100			
2QL2208	1200			
2QL4208	400			
2QL5209	500			
2QL6209	600			
2QL7209	700			
2QL8209	800			
2QL9209	900			
2QL0209	1000			
2QL1209	1100			
2QL2209	1200			
2QL4201	400	2060	1840	1000
2QL5201	500			
2QL6201	600			
2QL7201	700			
2QL8201	800			
2QL9201	900			
2QL0201	1000			
2QL1201	1100			
2QL2201	1200			

Product Code	A (mm)	B (mm)	C (mm)	D (mm)
2QL4214	400	2140	1920	400
2QL5214	500			
2QL6214	600			
2QL7214	700			
2QL8214	800			
2QL9214	900			
2QL4215	400	2140	1920	500
2QL5215	500			
2QL6215	600			
2QL7215	700			
2QL8215	800			
2QL9215	900			
2QL4216	400	2140	1920	600
2QL5216	500			
2QL6216	600			
2QL7216	700			
2QL8216	800			
2QL9216	900			
2QL4216	400	2140	1920	700
2QL5217	500			
2QL6217	600			
2QL7217	700			
2QL8217	800			
2QL9217	900			
2QL4218	400	2140	1920	800
2QL5218	500			
2QL6218	600			
2QL7218	700			
2QL8218	800			
2QL9218	900			
2QL0218	1000			
2QL1218	1100			
2QL2218	1200			
2QL4218	400			
2QL5219	500			
2QL6219	600			
2QL7219	700			
2QL8219	800			
2QL9219	900			
2QL0219	1000			
2QL1219	1100			
2QL2219	1200			
2QL4211	400	2140	1920	1000
2QL5211	500			
2QL6211	600			
2QL7211	700			
2QL8211	800			
2QL9211	900			
2QL0211	1000			
2QL1211	1100			
2QL2211	1200			

TT SERIES PANEL BOARD WITH DEAD FRONT

Product Code	A (mm)	B (mm)	C (mm)	D (mm)
2QL4224	400	2220	2000	400
2QL5224	500			
2QL6224	600			
2QL7224	700			
2QL8224	800			
2QL9224	900			
2QL4225	400	2220	2000	500
2QL5225	500			
2QL6225	600			
2QL7225	700			
2QL8225	800			
2QL9225	900			
2QL4226	400	2220	2000	600
2QL5226	500			
2QL6226	600			
2QL7226	700			
2QL8226	800			
2QL9226	900			
2QL4226	400	2220	2000	700
2QL5227	500			
2QL6227	600			
2QL7227	700			
2QL8227	800			
2QL9227	900			
2QL4228	400	2220	2000	800
2QL5228	500			
2QL6228	600			
2QL7228	700			
2QL8228	800			
2QL9228	900			
2QL0228	1000			
2QL1228	1100			
2QL2228	1200			
2QL4228	400	2220	2000	900
2QL5229	500			
2QL6229	600			
2QL7229	700			
2QL8229	800			
2QL9229	900			
2QL0229	1000			
2QL1229	1100			
2QL2229	1200			
2QL4221	400	2220	2000	1000
2QL5221	500			
2QL6221	600			
2QL7221	700			
2QL8221	800			
2QL9221	900			
2QL0221	1000			
2QL1221	1100			
2QL2221	1200			

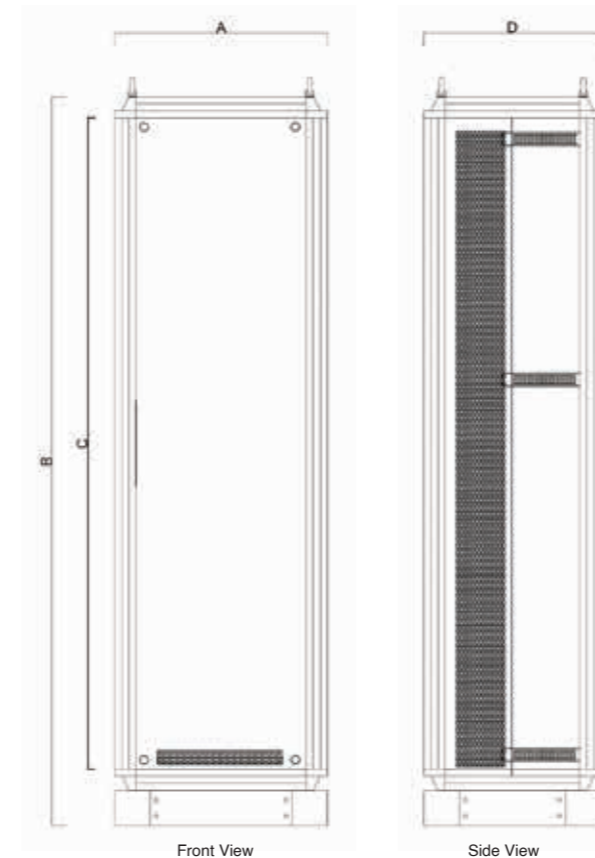
Product Code	A (mm)	B (mm)	C (mm)	D (mm)
2QL4234	400	2300	2080	400
2QL5234	500			
2QL6234	600			
2QL7234	700			
2QL8234	800			
2QL9234	900			
2QL4235	400	2300	2080	500
2QL5235	500			
2QL6235	600			
2QL7235	700			
2QL8235	800			
2QL9235	900			
2QL4236	400	2300	2080	600
2QL5236	500			
2QL6236	600			
2QL7236	700			
2QL8236	800			
2QL9236	900			
2QL4236	400	2300	2080	700
2QL5237	500			
2QL6237	600			
2QL7237	700			
2QL8237	800			
2QL9237	900			
2QL4238	400	2300	2080	800
2QL5238	500			
2QL6238	600			
2QL7238	700			
2QL8238	800			
2QL9238	900			
2QL0238	1000			
2QL1238	1100			
2QL2238	1200			
2QL4238	400	2300	2080	900
2QL5239	500			
2QL6239	600			
2QL7239	700			
2QL8239	800			
2QL9239	900			
2QL0239	1000			
2QL1239	1100			
2QL2239	1200			
2QL4231	400	2300	2080	1000
2QL5231	500			
2QL6231	600			
2QL7231	700			
2QL8231	800			
2QL9231	900			
2QL9231	900			
2QL9231	900			
2QL9231	900			

TT SERIES PANEL BOARD WITH MOUNTING PLATE



Inside Assembling Equipment Pages 49-62

Front Door Alternatives Pages 63-64



A (mm): Width
 B (mm): Height
 C (mm): Inside Usage Height
 D (mm): Depth

Product Code	A (mm)	B (mm)	C (mm)	D (mm)
2UL4184	400	1820	1600	400
2UL5184	500			
2UL6184	600			
2UL7184	700			
2UL8184	800			
2UL9184	900			
2UL4185	400	1820	1600	500
2UL5185	500			
2UL6185	600			
2UL7185	700			
2UL8185	800			
2UL9185	900			
2UL4186	400	1820	1600	600
2UL5186	500			
2UL6186	600			
2UL7186	700			
2UL8186	800			
2UL9186	900			
2UL4186	400	1820	1600	700
2UL5187	500			
2UL6187	600			
2UL7187	700			
2UL8187	800			
2UL9187	900			
2UL4188	400	1820	1600	800
2UL5188	500			
2UL6188	600			
2UL7188	700			
2UL8188	800			
2UL9188	900			

TT SERIES PANEL WITH MOUNTING PLATE

Product Code	A (mm)	B (mm)	C (mm)	D (mm)
2UL4204	400	2060	1840	400
2UL5204	500			
2UL6204	600			
2UL7204	700			
2UL8204	800			
2UL9204	900			
2UL4205	400	2060	1840	500
2UL5205	500			
2UL6205	600			
2UL7205	700			
2UL8205	800			
2UL9205	900			
2UL4206	400	2060	1840	600
2UL5206	500			
2UL6206	600			
2UL7206	700			
2UL8206	800			
2UL9206	900			
2UL4206	400	2060	1840	700
2UL5207	500			
2UL6207	600			
2UL7207	700			
2UL8207	800			
2UL9207	900			
2UL4208	400	2060	1840	800
2UL5208	500			
2UL6208	600			
2UL7208	700			
2UL8208	800			
2UL9208	900			
2UL0208	1000			
2UL1208	1100			
2UL2208	1200			
2UL4208	400			
2UL5209	500			
2UL6209	600			
2UL7209	700			
2UL8209	800			
2UL9209	900			
2UL0209	1000			
2UL1209	1100			
2UL2209	1200			
2UL4201	400	2060	1840	1000
2UL5201	500			
2UL6201	600			
2UL7201	700			
2UL8201	800			
2UL9201	900			
2UL0201	1000			
2UL1201	1100			
2UL2201	1200			

Product Code	A (mm)	B (mm)	C (mm)	D (mm)
2UL4214	400	2140	1920	400
2UL5214	500			
2UL6214	600			
2UL7214	700			
2UL8214	800			
2UL9214	900			
2UL4215	400	2140	1920	500
2UL5215	500			
2UL6215	600			
2UL7215	700			
2UL8215	800			
2UL9215	900			
2UL4216	400	2140	1920	600
2UL5216	500			
2UL6216	600			
2UL7216	700			
2UL8216	800			
2UL9216	900			
2UL4216	400	2140	1920	700
2UL5217	500			
2UL6217	600			
2UL7217	700			
2UL8217	800			
2UL9217	900			
2UL4218	400	2140	1920	800
2UL5218	500			
2UL6218	600			
2UL7218	700			
2UL8218	800			
2UL9218	900			
2UL0218	1000			
2UL1218	1100			
2UL2218	1200			
2UL4218	400			
2UL5219	500			
2UL6219	600			
2UL7219	700			
2UL8219	800			
2UL9219	900			
2UL0219	1000			
2UL1219	1100			
2UL2219	1200			
2UL4211	400	2140	1920	1000
2UL5211	500			
2UL6211	600			
2UL7211	700			
2UL8211	800			
2UL9211	900			
2UL0211	1000			
2UL1211	1100			
2UL2211	1200			

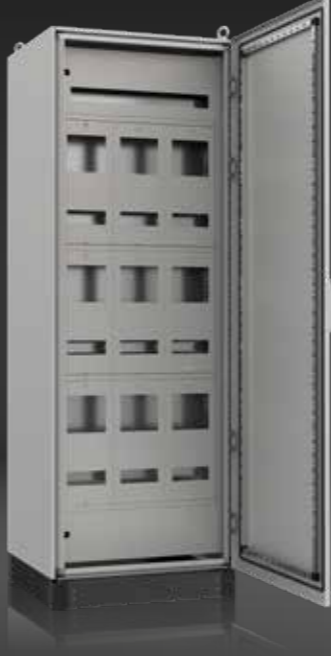
TT SERIES PANEL WITH MOUNTING PLATE

Product Code	A (mm)	B (mm)	C (mm)	D (mm)
2UL4224	400	2220	2000	400
2UL5224	500			
2UL6224	600			
2UL7224	700			
2UL8224	800			
2UL9224	900			
2UL4225	400	2220	2000	500
2UL5225	500			
2UL6225	600			
2UL7225	700			
2UL8225	800			
2UL9225	900			
2UL4226	400	2220	2000	600
2UL5226	500			
2UL6226	600			
2UL7226	700			
2UL8226	800			
2UL9226	900			
2UL4226	400	2220	2000	700
2UL5227	500			
2UL6227	600			
2UL7227	700			
2UL8227	800			
2UL9227	900			
2UL4228	400	2220	2000	800
2UL5228	500			
2UL6228	600			
2UL7228	700			
2UL8228	800			
2UL9228	900			
2UL0228	1000			
2UL1228	1100			
2UL2228	1200			
2UL4228	400			
2UL5229	500			
2UL6229	600			
2UL7229	700			
2UL8229	800			
2UL9229	900			
2UL0229	1000			
2UL1229	1100			
2UL2229	1200			
2UL4221	400	2220	2000	1000
2UL5221	500			
2UL6221	600			
2UL7221	700			
2UL8221	800			
2UL9221	900			
2UL0221	1000			
2UL1221	1100			
2UL2221	1200			

Product Code	A (mm)	B (mm)	C (mm)	D (mm)
2UL4234	400	2300	2080	400
2UL5234	500			
2UL6234	600			
2UL7234	700			
2UL8234	800			
2UL9234	900			
2UL4235	400	2300	2080	500
2UL5235	500			
2UL6235	600			
2UL7235	700			
2UL8235	800			
2UL9235	900			
2UL4236	400	2300	2080	600
2UL5236	500			
2UL6236	600			
2UL7236	700			
2UL8236	800			
2UL9236	900			
2UL4236	400	2300	2080	700
2UL5237	500			
2UL6237	600			
2UL7237	700			
2UL8237	800			
2UL9237	900			
2UL4238	400	2300	2080	800
2UL5238	500			
2UL6238	600			
2UL7238	700			
2UL8238	800			
2UL9238	900			
2UL0238	1000			
2UL1238	1100			
2UL2238	1200			
2UL4238	400			
2UL5239	500			
2UL6239	600			
2UL7239	700			
2UL8239	800			
2UL9239	900			
2UL0239	1000			
2UL1239	1100			
2UL2239	1200			
2UL4231	400	2300	2080	1000
2UL5231	500			
2UL6231	600			
2UL7231	700			
2UL8231	800			
2UL9231	900			
2UL0231	1000			
2UL1231	1100			
2UL2231	1200			

MOD SERIES METER PANEL

MOD SERIES METER PANEL

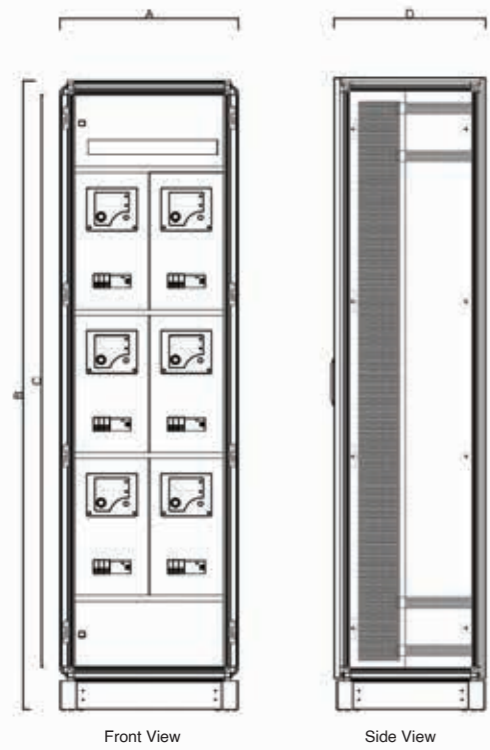


Inside Assembling Equipment Pages 49-62

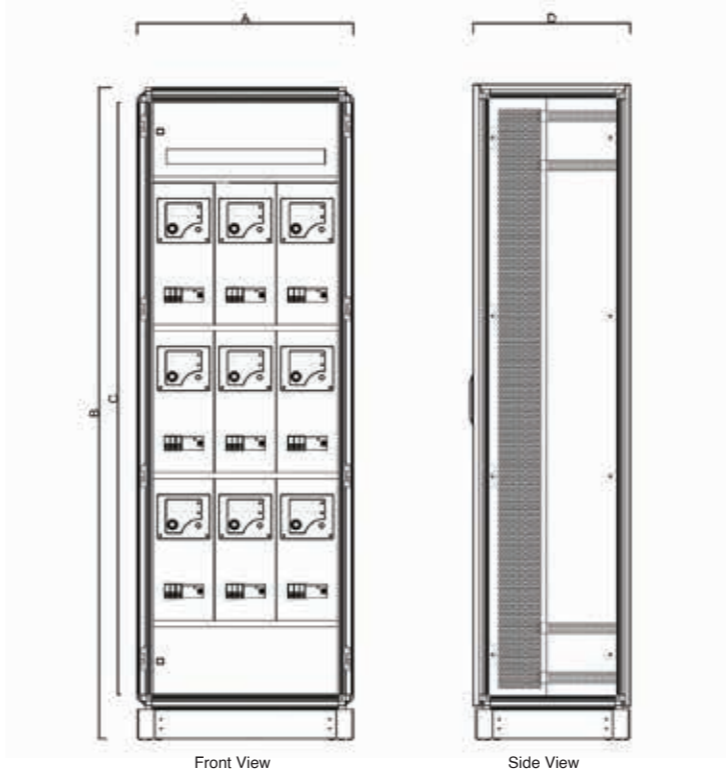
Front Door Alternatives Pages 63-64

Inside Assembling Equipment Pages 49-62

Front Door Alternatives Pages 63-64



Product Code	Description	A (mm)	B (mm)	D (mm)
1TO6214	6 Way Triphase Meter - Outgoing MCB and Busbar Area	600	2140	400
1TO6215	6 Way Triphase Meter - Outgoing MCB and Busbar Area	600	2140	500
1TO6216	6 Way Triphase Meter - Outgoing MCB and Busbar Area	600	2140	600



Product Code	Description	A (mm)	B (mm)	D (mm)
1TO7214	9 Way Triphase Meter - Outgoing MCB and Busbar Area	700	2140	400
1TO7215	9 Way Triphase Meter - Outgoing MCB and Busbar Area	700	2140	500
1TO7216	9 Way Triphase Meter - Outgoing MCB and Busbar Area	700	2140	600

A (mm): Width
 B (mm): Height
 C (mm): Inside Usage Height
 D (mm): Depth

A (mm): Width
 B (mm): Height
 C (mm): Inside Usage Height
 D (mm): Depth

MOD SERIES METER PANEL



Inside Assembling Equipment Pages 49-62

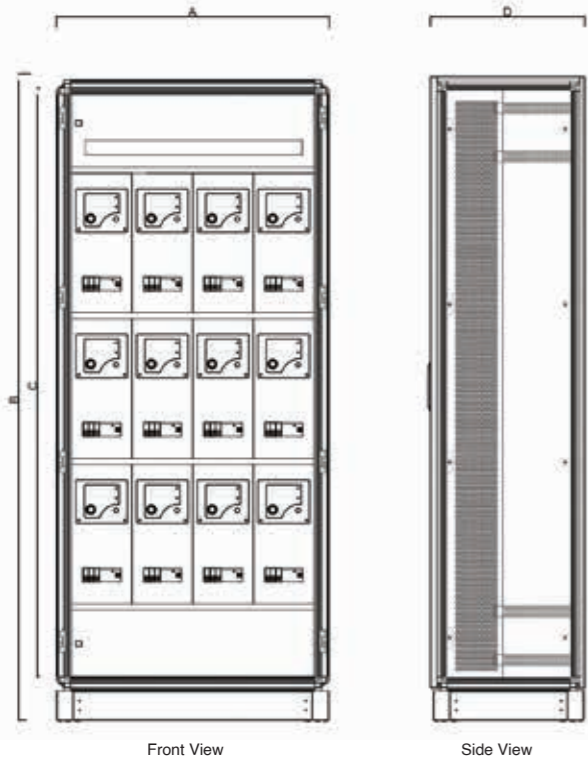
Front Door Alternatives Pages 63-64

MOD SERIES METER PANEL



Inside Assembling Equipment Pages 49-62

Front Door Alternatives Pages 63-64



Product Code	Description	A (mm)	B (mm)	D (mm)
1TO9214	12 Way Triphase Meter - Outgoing MCB and Busbar Area	900	2140	400
1TO9215	12 Way Triphase Meter - Outgoing MCB and Busbar Area	900	2140	500
1TO9216	12 Way Triphase Meter - Outgoing MCB and Busbar Area	900	2140	600

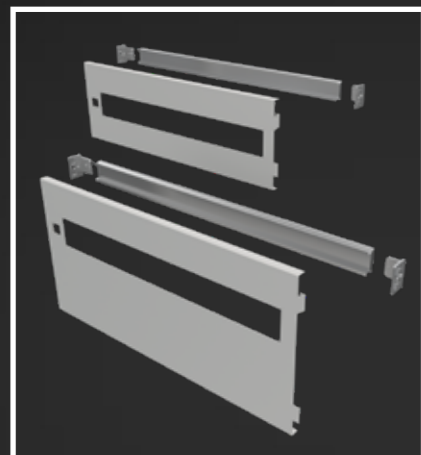
A (mm): Width
 B (mm): Height
 C (mm): Inside Usage Height
 D (mm): Depth



Product Code	Description	A (mm)	B (mm)	D (mm)
1TU7214	6 Way Triphase With transfer (contac-tor) Meter Board	700	2140	400
1TU7215	6 Way Triphase With transfer (contac-tor) Meter Board	700	2140	500
1TU7216	6 Way Triphase With transfer (contac-tor) Meter Board	700	2140	600
1TU9214	8 Way Triphase Meter Board	900	2140	400
1TU9215	8 Way Triphase Meter Board	900	2140	500
1TU9216	8 Way Triphase Meter Board	900	2140	600

A (mm): Width
 B (mm): Height
 C (mm): Inside Usage Height
 D (mm): Depth

INSIDE ASSEMBLING SETS



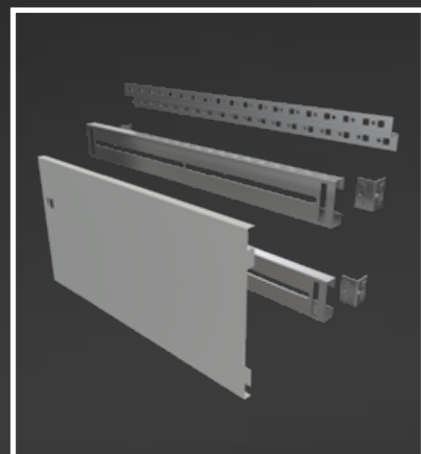
MCB Set			Cover Usage Area (Width)	
Product Code	Width (mm)	Cover Height (mm)	MOD Series (mm)	TT Series (mm)
QP416L*	400	160	240	220
QP516L*	500		340	320
QP616L*	600		440	420
QP716L*	700		540	520
QP816L*	800		640	620
QP916L*	900		740	720
QP424L*	400	240	240	220
QP524L*	500		340	320
QP624L*	600		440	420
QP724L*	700		540	520
QP824L*	800		640	620
QP924L*	900		740	720

• Replace the reference star in the product code with 'M' for MOD series and 'T' for TT series. Ex: PO416KM / PO416KT

COMPACT SWITCH SET MCCB Set

COMPACT SWITCH SET MCCB Set			Cover Usage Area (Width)	
Product Code	Width (mm)	Cover Height (mm)	MOD Series (mm)	TT Series (mm)
QU424L*	400	240	240	220
QU524L*	500		340	320
QU624L*	600		440	420
QU724L*	700		540	520
QU824L*	800		640	620
QU924L*	900	740	720	
QU432L*	400	320	240	220
QU532L*	500		340	320
QU632L*	600		440	420
QU732L*	700		540	520
QU832L*	800		640	620
QU932L*	900	740	720	
QU440L*	400	400	240	220
QU540L*	500		340	320
QU640L*	600		440	420
QU740L*	700		540	520
QU840L*	800		640	620
QU940L*	900	740	720	
QU448L*	400	480	240	220
QU548L*	500		340	320
QU648L*	600		440	420
QU748L*	700		540	520
QU848L*	800		640	620
QU948L*	900		740	720

• Replace the reference star in the product code with 'M' for MOD series and 'T' for TT series. Ex: PT424KM / PT424KT

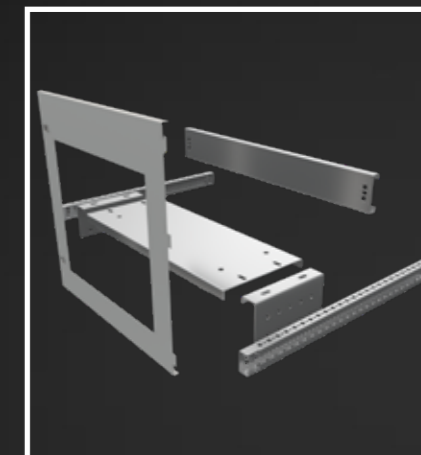


INSIDE ASSEMBLING SETS

OPEN TYPE POWER SWITCH SET ACB Set

Product Code	Width (mm)	Curtain Height	Cover Usage Area (Width)	
			MOD Series (mm)	TT Series (mm)
QB448L*	400	480	240	220
QB548L*	500		340	320
QB648L*	600		440	420
QB748L*	700		540	520
QB848L*	800		640	620
QB948L*	900		740	720
QB456L*	400	560	240	220
QB556L*	500		340	320
QB656L*	600		440	420
QB756L*	700		540	520
QB856L*	800		640	620
QB956L*	900		740	720
QB464L*	400	640	240	220
QB564L*	500		340	320
QB664L*	600		440	420
QB764L*	700		540	520
QB864L*	800		640	620
QB964L*	900		740	720

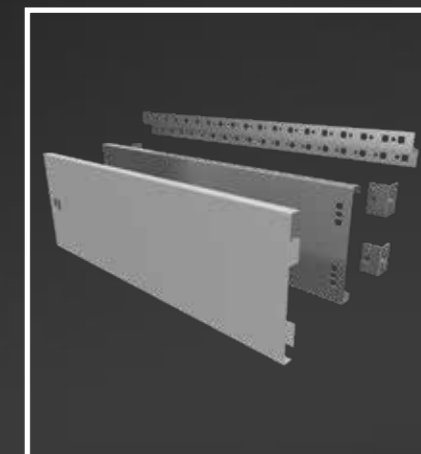
• Replace the reference star in the product code with 'M' for MOD series and 'T' for TT series. Ex: PA448KM / PA448KT

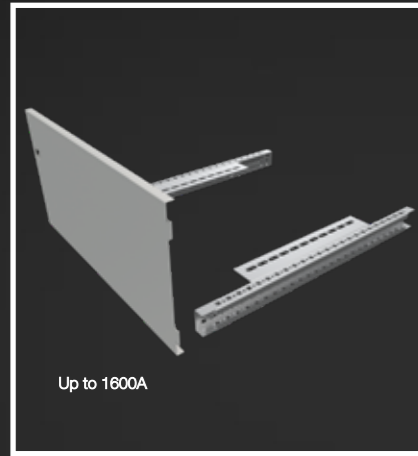


Contactors Set

Product Code	Width (mm)	Cover Height (mm)	Mounting Plate Usage Area (Width)	
			MOD Series (mm)	TT Series (mm)
QD424L*	400	240	290	265
QD524L*	500		390	365
QD624L*	600		490	465
QD724L*	700		590	565
QD824L*	800		690	665
QD924L*	900		790	765
QD432L*	400	320	290	265
QD532L*	500		390	365
QD632L*	600		490	465
QD732L*	700		590	565
QD832L*	800		690	665
QD932L*	900		790	765
QD440L*	400	400	290	265
QD540L*	500		390	365
QD640L*	600		490	465
QD740L*	700		590	565
QD840L*	800		690	665
QD940L*	900		790	765

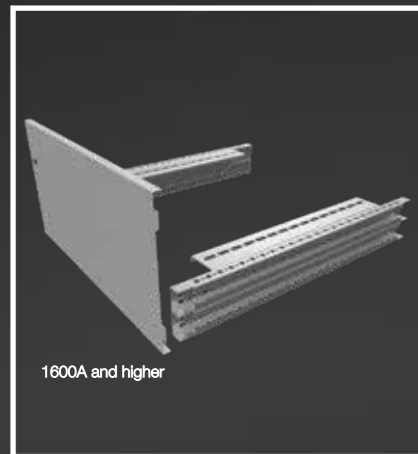
• Replace the reference star in the product code with 'M' for MOD series and 'T' for TT series. Ex: PC424KM / PC424KT





Product Code	Width (mm)	Cover Height (mm)	Cover Usage Area (Width)	
			MOD Series (mm)	TT Series (mm)
QC424L*	400	240	240	220
QC524L*	500		340	320
QC624L*	600		440	420
QC724L*	700		540	520
QC824L*	800		640	620
QC924L*	900		740	720
QC432L*	400	320	240	220
QC532L*	500		340	320
QC632L*	600		440	420
QC732L*	700		540	520
QC832L*	800		640	620
QC932L*	900		740	720

• Replace the reference star in the product code with **M** for MOD series and **T** for TT series. Ex: PB424KM / PB424KT



Product Code	Width (mm)	Cover Height (mm)	Cover Usage Area (Width)	
			MOD Series (mm)	TT Series (mm)
QE424L*	400	240	240	220
QE524L*	500		340	320
QE624L*	600		440	420
QE724L*	700		540	520
QE824L*	800		640	620
QE924L*	900		740	720
QE432L*	400	320	240	220
QE532L*	500		340	320
QE632L*	600		440	420
QE732L*	700		540	520
QE832L*	800		640	620
QE932L*	900		740	720

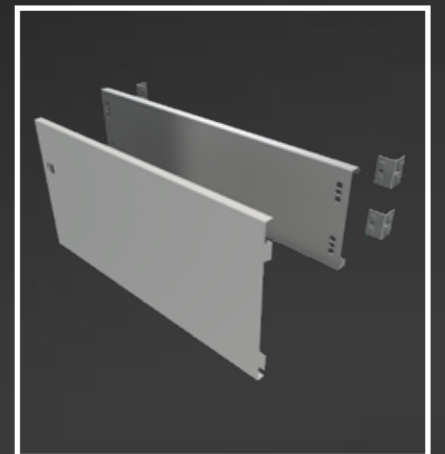
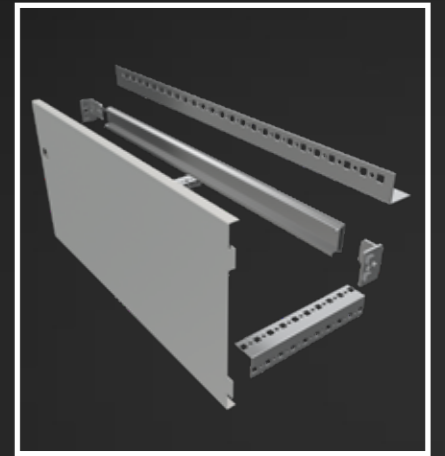
• Replace the reference star in the product code with **M** for MOD series and **T** for TT series. Ex: PD424KM / PD424KT

Product Code	Width (mm)	Cover Height (mm)	Cover Usage Area (Width)	
			MOD Series (mm)	TT Series (mm)
QL424L*	400	240	240	220
QL524L*	500		340	320
QL624L*	600		440	420
QL724L*	700		540	520
QL824L*	800		640	620
QL924L*	900		740	720
QL432L*	400	320	240	220
QL532L*	500		340	320
QL632L*	600		440	420
QL732L*	700		540	520
QL832L*	800		640	620
QL932L*	900		740	720

• Replace the reference star in the product code with **M** for MOD series and **T** for TT series. Ex: PK424KM / PK424KT

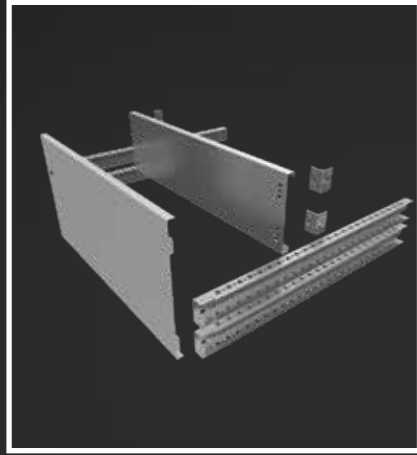
Product Code	Width (mm)	Cover Height (mm)	Mounting Plate Usage Area (Width)	
			MOD Series (mm)	TT Series (mm)
UT416L*	400	160	290	265
UT516L*	500		390	365
UT616L*	600		490	465
UT716L*	700		590	565
UT816L*	800		690	665
UT916L*	900		790	765
UT424L*	400	240	290	265
UT524L*	500		390	365
UT624L*	600		490	465
UT724L*	700		590	565
UT824L*	800		690	665
UT924L*	900		790	735
UT432L*	400	320	290	265
UT532L*	500		390	365
UT632L*	600		490	465
UT732L*	700		590	565
UT832L*	800		690	665
UT932L*	900		790	765
UT448L*	400	480	290	265
UT548L*	500		390	365
UT648L*	600		490	465
UT748L*	700		590	565
UT848L*	800		690	665
UT948L*	900		790	765

• Replace the reference star in the product code with **M** for MOD series and **T** for TT series. Ex: TS416KM / TS416KT



INSIDE ASSEMBLING SETS

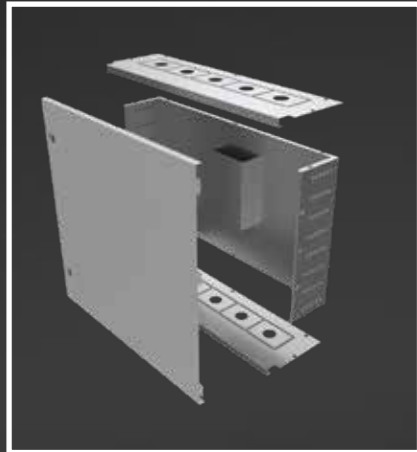
INSIDE ASSEMBLING SETS



Toroidal Current Transformer Set

Product Code	Width (mm)	Cover Height (mm)	Mounting Plate Usage Area (Width)	
			MOD Series (mm)	TT Series (mm)
QS416L*	400	160	290	265
QS516L*	500		390	365
QS616L*	600		490	465
QS716L*	700		590	565
QS816L*	800		690	665
QS916L*	900	240	790	765
QS424L*	400		290	265
QS524L*	500		390	365
QS624L*	600		490	465
QS724L*	700		590	565
QS824L*	800	320	690	665
QS924L*	900		790	765
QS432L*	400		290	265
QS532L*	500		390	365
QS632L*	600		490	465
QS732L*	700		590	565
QS832L*	800		690	665
QS932L*	900		790	765

• Replace the reference star in the product code with 'M' for MOD series and 'T' for TT series. Ex: PR416kM / PR416kT



X/5 Meter + Current Transformer MCCB + Toroidal Set

Product Code	Width (mm)	Cover Height (mm)	Mounting Plate Usage Area (Width)	
			MOD Series (mm)	TT Series (mm)
QY456L*	400	560	350	330
QY556L*	500		450	430
QY656L*	600		550	530
QY756L*	700		650	630
QY856L*	800		750	730
QY956L*	900	640	850	830
QY464L*	400		350	330
QY564L*	500		450	430
QY664L*	600		550	530
QY764L*	700		650	630
QY864L*	800		750	730
QY964L*	900		850	830

• Replace the reference star in the product code with 'M' for MOD series and 'T' for TT series. Ex: PX456kM / PX456kT

NH Fuse Panel

Product Code	Width (mm)	Mounting Plate Usage Area (Width)	
		MOD Series (mm)	TT Series (mm)
OQ400J*	400	290	265
OQ500J*	500	390	365
OQ600J*	600	490	465
OQ700J*	700	590	565
OQ800J*	800	690	665
OQ900J*	900	790	765

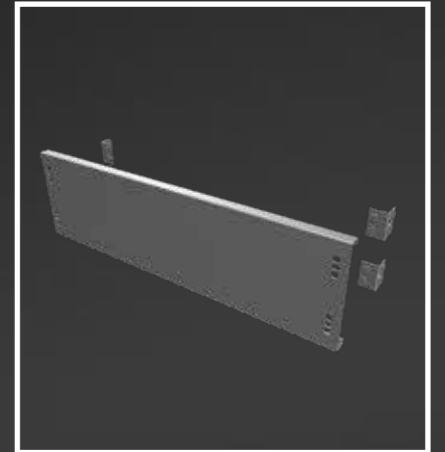
• Replace the reference star in the product code with 'M' for MOD series and 'T' for TT series. Ex: NP400IM / NP400IT



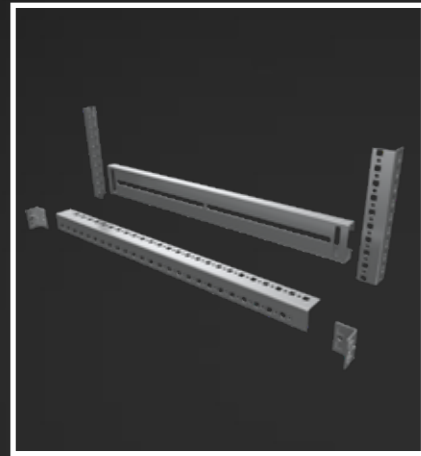
Disconnector

Product Code	Width (mm)	Mounting Plate Usage Area (Width)	
		MOD Series (mm)	TT Series (mm)
ZQ400J*	400	290	265
ZQ500J*	500	390	365
ZQ600J*	600	490	465
ZQ700J*	700	590	565
ZQ800J*	800	690	665
ZQ900J*	900	790	765

• Replace the reference star in the product code with 'M' for MOD series and 'T' for TT series. Ex: YP400IM / YP400IT



INSIDE ASSEMBLING PARTS



CAPACITOR PANEL Capacitor Panel		Mounting Plate Usage Area (Width)	
Product Code	Width (mm)	MOD Series (mm)	TT Series (mm)
LP400J*	400	310	290
LP500J*	500	410	390
LP600J*	600	510	490
LP700J*	700	610	590
LP800J*	800	710	690
LP900J*	900	810	790

• Replace the reference star in the product code with **M** for MOD series and **T** for TT series. Ex: KO400**M** / KO400**T**



REACTOR PANEL Reactor Panel		Mounting Plate Usage Area (Width)	
Product Code	Width (mm)	MOD Series (mm)	TT Series (mm)
SQ400J*	400	310	290
SQ500J*	500	410	390
SQ600J*	600	510	490
SQ700J*	700	610	590
SQ800J*	800	710	690
SQ900J*	900	810	790

• Replace the reference star in the product code with **M** for MOD series and **T** for TT series. Ex: PR400**M** / PR400**T**

INSIDE ASSEMBLING PARTS

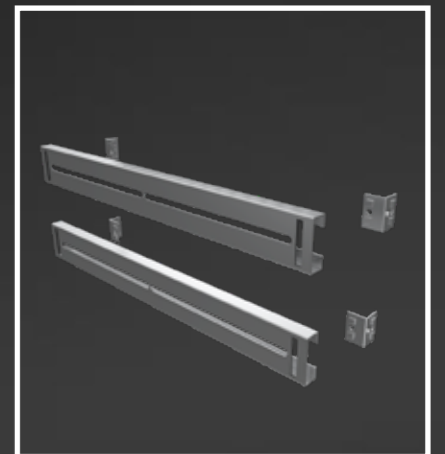


AUTOMATIC FUSE RAIL MCB Set		Mounting Plate Usage Area (Width)	
Product Code	Width (mm)	MOD Series (mm)	TT Series (mm)
TS400J*	400	350	330
TS500J*	500	450	430
TS600J*	600	550	530
TS700J*	700	650	630
TS800J*	800	750	730
TS900J*	900	850	830

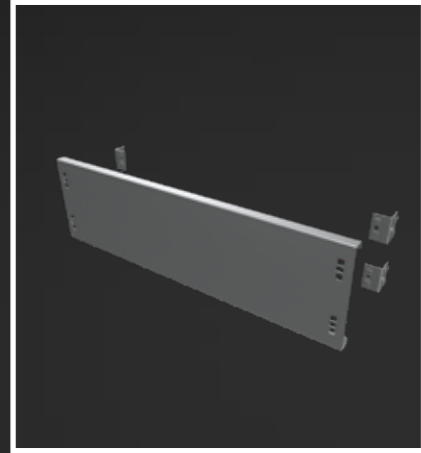
• Replace the reference star in the product code with **M** for MOD series and **T** for TT series. Ex: SR400**M** / SR400**T**

COMPACT SWITCH PANEL MCCB Panel			Mounting Plate Usage Area (Width)	
Product Code	Width (mm)	Cover Height (mm)	MOD Series (mm)	TT Series (mm)
LQ424J*	400	240	310	290
LQ524J*	500		410	390
LQ624J*	600		510	490
LQ724J*	700		610	590
LQ824J*	800		710	690
LQ924J*	900		810	790
LQ432J*	400	320	310	290
LQ532J*	500		410	390
LQ632J*	600		510	490
LQ732J*	700		610	590
LQ832J*	800		710	690
LQ932J*	900		810	790
LQ440J*	400	400	310	290
LQ540J*	500		410	390
LQ640J*	600		510	490
LQ740J*	700		610	590
LQ840J*	800		710	690
LQ940J*	900		810	790
LQ448J*	400	480	310	290
LQ548J*	500		410	390
LQ648J*	600		510	490
LQ748J*	700		610	590
LQ848J*	800		710	690
LQ948J*	900		810	790

• Replace the reference star in the product code with **M** for MOD series and **T** for TT series. Ex: KP424**M** / KP424**T**

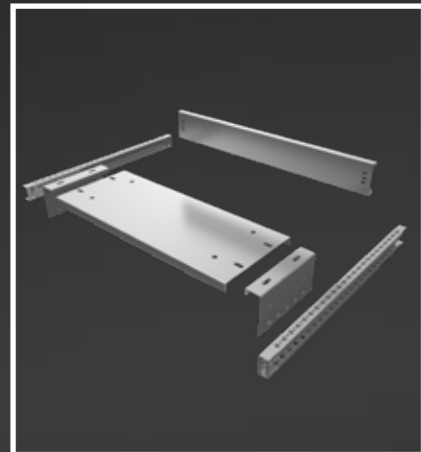


INSIDE ASSEMBLING PARTS



CONTACTOR PANEL MCCB Panel			Mounting Plate Usage Area (Width)	
Product Code	Width (mm)	Cover Height (mm)	MOD Series (mm)	TT Series (mm)
DQ424J*	400	240	290	265
DQ524J*	500		390	365
DQ624J*	600		490	465
DQ724J*	700		590	565
DQ824J*	800		690	665
DQ924J*	900		790	765
DQ432J*	400	320	290	265
DQ532J*	500		390	365
DQ632J*	600		490	465
DQ732J*	700		590	565
DQ832J*	800		690	665
DQ932J*	900		790	765
DQ440J*	400	400	290	265
DQ540J*	500		390	365
DQ640J*	600		490	465
DQ740J*	700		590	565
DQ840J*	800		690	665
DQ940J*	900		790	765
DQ440J*	400	480	290	265
DQ540J*	500		390	365
DQ640J*	600		490	465
DQ740J*	700		590	565
DQ840J*	800		690	665
DQ940J*	900		790	765

• Replace the reference star in the product code with 'M' for MOD series and 'T' for TT series. Ex: CP424IM / CP424IT



OPEN TYPE SWITCH PANEL ACB Panel		Mounting Plate Usage Area (Width)	
Product Code	Width (mm)	MOD Series (mm)	TT Series (mm)
BQ456J*	400	285	265
BQ556J*	500	385	365
BQ656J*	600	485	465
BQ756J*	700	585	565
BQ856J*	800	685	665
BQ956J*	900	785	765

• Replace the reference star in the product code with 'M' for MOD series and 'T' for TT series. Ex: AP456IM / AP456IT

INSIDE ASSEMBLING PARTS

BUS L Busbar Holder		Busbar Holder Usage Area (Depth)	
Product Code	Depth (mm)	MOD Series (mm)	TT Series (mm)
CM432J*	400	290	290
CM532J*	500		
CM632J*	600		
CM732J*	700		
CM832J*	800		
CM932J*	900		

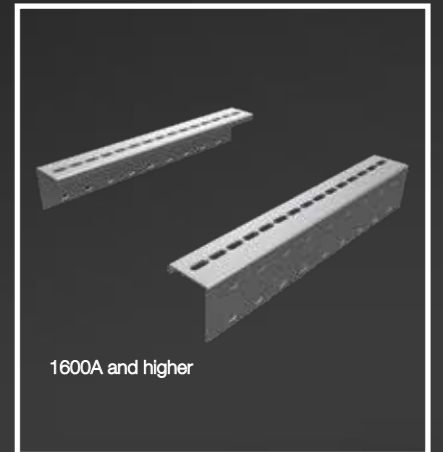
• Replace the reference star in the product code with 'M' for MOD series and 'T' for TT series. Ex: BL432IM / BL432IT



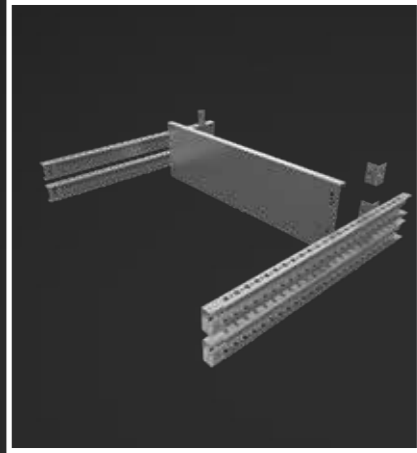
Up to 1600A

BUS L Busbar Holder		Busbar Holder Usage Area (Depth)	
Product Code	Depth (mm)	MOD Series (mm)	TT Series (mm)
CC532J*	500	220	220
CC632J*	600	220	220
CC732J*	700	390	390
CC832J*	800	390	390
CC932J*	900	490	490

• Replace the reference star in the product code with 'M' for MOD series and 'T' for TT series. Ex: BB432IM / BB432IT

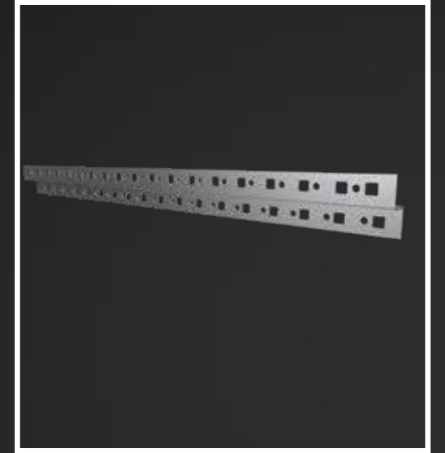


1600A and higher



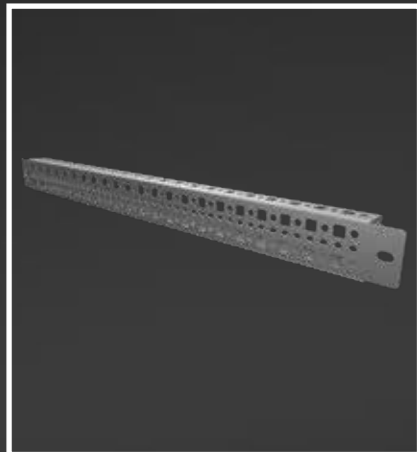
TROID CURRENT TRANSFORMER PANEL Toroidal Current Transformer Panel		Mounting Plate Usage Area (Width)	
Product Code	Width (mm)	MOD Series (mm)	TT Series (mm)
UQ400J*	400	290	265
UQ500J*	500	390	365
UQ600J*	600	490	465
UQ700J*	700	590	565
UQ800J*	800	690	665
UQ900J*	900	790	765

• Replace the reference star in the product code with 'M' for MOD series and 'T' for TT series. Ex: TP400M / TP400T



CABLE WEFT (Z) Cable Holder (Z)		Cable Holder (Z) Usage Area (Width)	
Product Code	Width (mm)	MOD Series (mm)	TT Series (mm)
BA400J*	400	390	390
BA500J*	500	490	490
BA600J*	600	590	590
BA700J*	700	690	690
BA800J*	800	790	790
BA900J*	900	890	890

• Replace the reference star in the product code with 'M' for MOD series and 'T' for TT series. Ex: AZ400M / AZ400T



SLIDE RAIL Slide Rail		Slide Rail Dimension (Depth)	
Product Code	Depth (mm)	MOD Series (mm)	TT Series (mm)
LA400J*	400	166	95
LA500J*	500	266	195
LA600J*	600	366	295
LA700J*	700	466	395
LA800J*	800	566	495
LA900J*	900	666	595

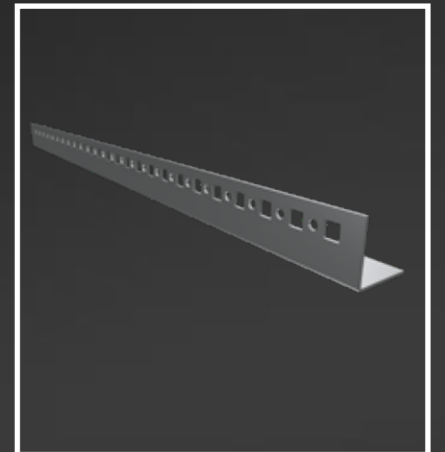
• Replace the reference star in the product code with 'M' for MOD series and 'T' for TT series. Ex: KZ400M / KZ400T

Note

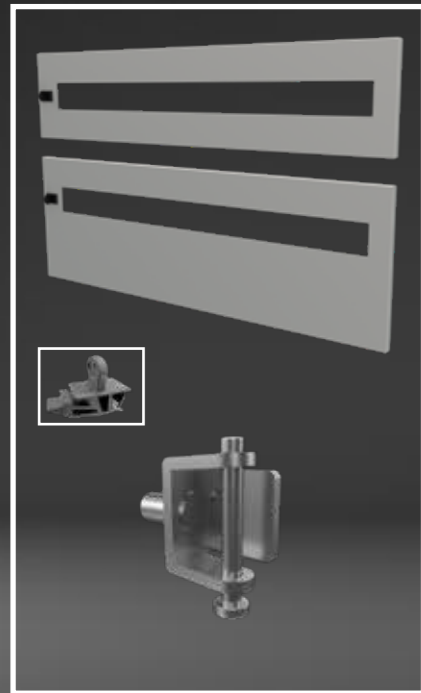
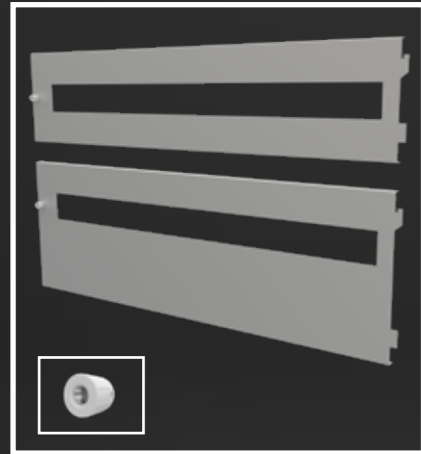
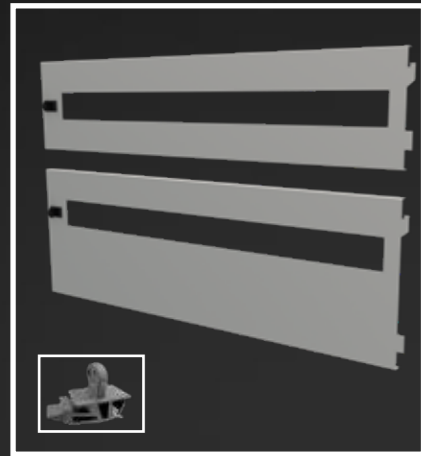
The side brass used in MOD and TT Series panels is mounted to the perforated side plate inside the panel. For this reason, the side brass size is produced shorter than the panel depth.

CABLE WEFT (L) Cable Holder (L)		Cable Holder (L) Usage Area (Width)	
Product Code	Width (mm)	MOD Series (mm)	TT Series (mm)
BM400J*	400	350	330
BM500J*	500	450	430
BM600J*	600	550	530
BM700J*	700	650	630
BM800J*	800	750	730
BM900J*	900	850	830

• Replace the reference star in the product code with 'M' for MOD series and 'T' for TT series. Ex: AL400M / AL400T



INSIDE ASSEMBLING COVERS



AUTOMATIC FUSE CURTAIN MCB Cover

Product Code	Width (mm)	Cover Height (mm)	Cover Usage Area (Width)	
			MOD Series (mm)	TT Series (mm)
PQ416J*	400	160	240	220
PQ516J*	500		340	320
PQ616J*	600		440	420
PQ716J*	700		540	520
PQ816J*	800		640	620
PQ916J*	900		740	720
PQ424J*	400	240	240	220
PQ524J*	500		340	320
PQ624J*	600		440	420
PQ724J*	700		540	520
PQ824J*	800		640	620
PQ924J*	900		740	720

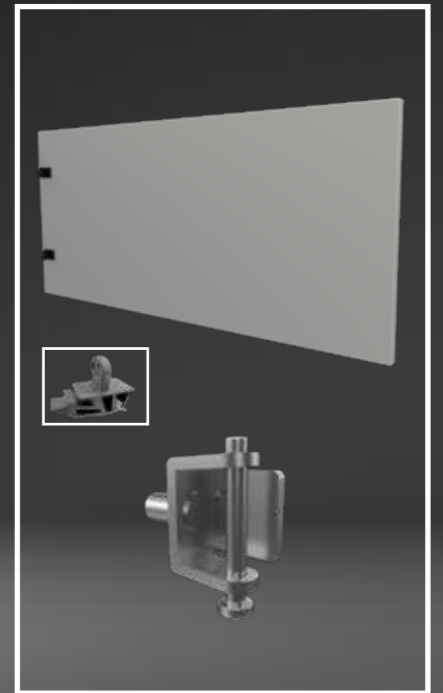
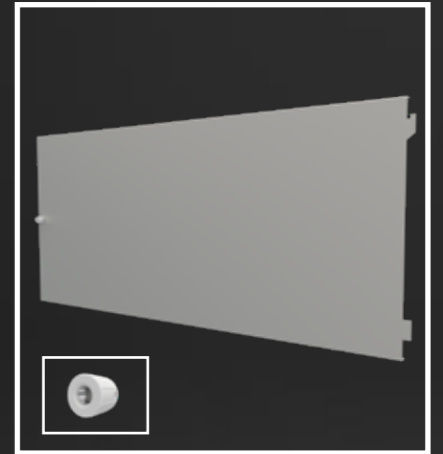
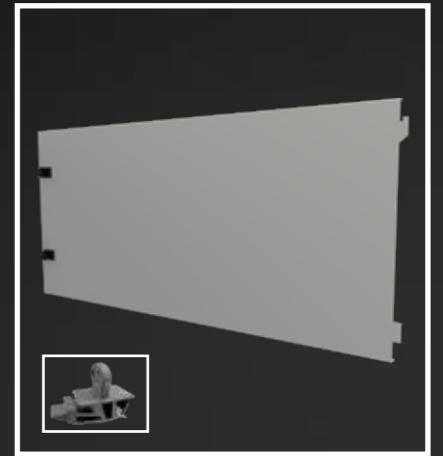
• Replace the reference star in the product code with **M** for MOD series and **T** for TT series. Ex: OP416**M** / OP416**T**

INSIDE ASSEMBLING COVERS

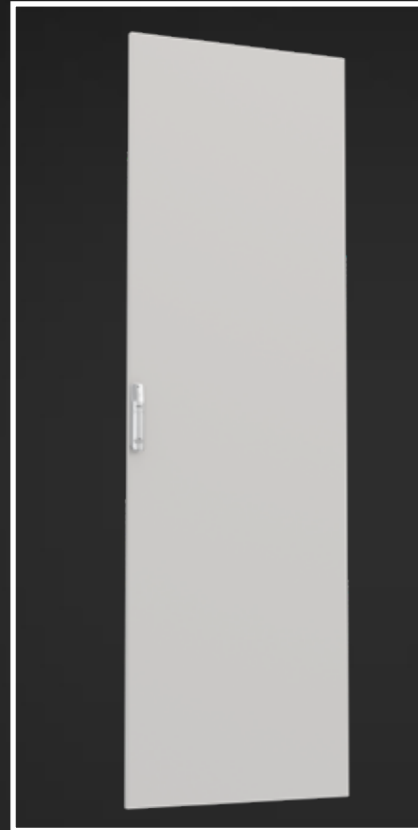
Empty Cover

Product Code	Width (mm)	Cover Height (mm)	Cover Usage Area (Width)	
			MOD Series (mm)	TT Series (mm)
CQ416J*	400	160	240	220
CQ516J*	500		340	320
CQ616J*	600		440	420
CQ716J*	700		540	520
CQ816J*	800		640	620
CQ916J*	900		740	720
CQ424J*	400	240	240	220
CQ524J*	500		340	320
CQ624J*	600		440	420
CQ724J*	700		540	520
CQ824J*	800		640	620
CQ924J*	900		740	720
CQ432J*	400	320	240	220
CQ532J*	500		340	320
CQ632J*	600		440	420
CQ732J*	700		540	520
CQ832J*	800		640	620
CQ932J*	900		740	720
CQ440J*	400	400	240	220
CQ540J*	500		340	320
CQ640J*	600		440	420
CQ740J*	700		540	520
CQ840J*	800		640	620
CQ940J*	900		740	720
CQ448J*	400	480	240	220
CQ548J*	500		340	320
CQ648J*	600		440	420
CQ748J*	700		540	520
CQ848J*	800		640	620
CQ948J*	900		740	720
CQ456J*	400	560	240	220
CQ556J*	500		340	320
CQ656J*	600		440	420
CQ756J*	700		540	520
CQ856J*	800		640	620
CQ956J*	900		740	720
CQ464J*	400	640	240	220
CQ564J*	500		340	320
CQ664J*	600		440	420
CQ764J*	700		540	520
CQ864J*	800		640	620
CQ964J*	900		740	720

• Replace the reference star in the product code with **M** for MOD series and **T** for TT series. Ex: BP416**M** / BP416**T**



FRONT DOOR ALTERNATIVES

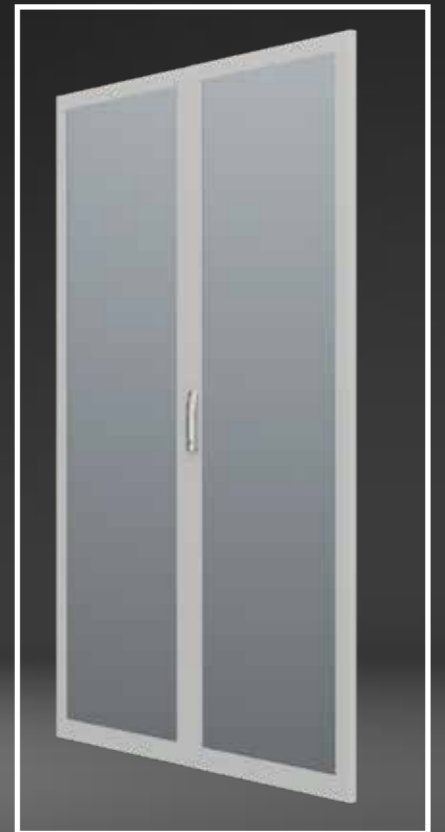


Front Door Selection List

Product Code	Width (mm)	Panel Height (mm)	Panel Door Usage Area (Width x Height)	
			MOD Series (mm)	TT Series (mm)
1TL418**	400	1820	250 x 1670	150 x 1670
1TL518**	500		350 x 1670	250 x 1670
1TL618**	600		450 x 1670	350 x 1670
1TL718**	700		550 x 1670	450 x 1670
1TL818**	800		650 x 1670	550 x 1670
1TL918**	900		750 x 1670	650 x 1670
1TL420**	400		2060	250 x 1770
1TL520**	500	350 x 1770		250 x 1770
1TL620**	600	450 x 1770		350 x 1770
1TL720**	700	550 x 1770		450 x 1770
1TL820**	800	650 x 1770		550 x 1770
1TL920**	900	750 x 1770		650 x 1770
1TL421**	400	2140		250 x 1870
1TL521**	500		350 x 1870	250 x 1870
1TL621**	600		450 x 1870	350 x 1870
1TL721**	700		550 x 1870	450 x 1870
1TL821**	800		650 x 1870	550 x 1870
1TL921**	900		750 x 1870	650 x 1870
1TL422**	400		2220	250 x 1970
1TL522**	500	350 x 1970		250 x 1970
1TL622**	600	450 x 1970		350 x 1970
1TL722**	700	550 x 1970		450 x 1970
1TL822**	800	650 x 1970		550 x 1970
1TL922**	900	750 x 1970		650 x 1970
1TL423**	400	2300		250 x 2070
1TL523**	500		350 x 2070	250 x 2070
1TL623**	600		450 x 2070	350 x 2070
1TL723**	700		550 x 2070	450 x 2070
1TL823**	800		650 x 2070	550 x 2070
1TL923**	900		750 x 2070	650 x 2070

- Replace the reference star in the product code with 'M' for MOD series and 'T' for TT series. Ex: 1SK418M* / 1SK418T*
- Substitute 'B (Empty)' 'C (Glass)' 'P (Plexy)' for the second reference star in the product code. Ex: 1SK418MB / 1SK418TC

FRONT DOOR ALTERNATIVES



Front Door Selection List

Product Code	Width (mm)	Panel Height (mm)	Panel Door Usage Area (Width x Height)	
			MOD Series (mm)	TT Series (mm)
1TL018**	1000	1820	2x350 x 1670	2x350 x 1670
1TL118**	1100		2x400 x 1670	2x400 x 1670
1TL218**	1200		2x350 x 1670	2x350 x 1670
1TL020**	1000	2060	2x350 x 1770	2x350 x 1770
1TL120**	1100		2x400 x 1770	2x400 x 1770
1TL220**	1200		2x350 x 1770	2x350 x 1770
1TL021**	1000	2140	2x350 x 1870	2x350 x 1870
1TL121**	1100		2x400 x 1870	2x400 x 1870
1TL221**	1200		2x350 x 1870	2x350 x 1870
1TL022**	1000	2220	2x350 x 1970	2x350 x 1970
1TL122**	1100		2x400 x 1970	2x400 x 1970
1TL222**	1200		2x350 x 1970	2x350 x 1970
1TL023**	1000	2300	2x350 x 2070	2x350 x 2070
1TL123**	1100		2x400 x 2070	2x400 x 2070
1TL223**	1200		2x350 x 2070	2x350 x 2070

- Replace the reference star in the product code with 'M' for MOD series and 'T' for TT series. Ex: 1SK018M* / 1SK018T*
- Substitute 'B (Empty)' 'C (Glass)' 'P (Plexy)' for the second reference star in the product code. Ex: 1SK418MB / 1SK418TC

WALL MOUNTED ENCLOSURES

S-Wall Series Enclosures.....67

S-Wall Series Surface Mounted Board With Dead Front.....77

S-Wall Series Surface Mounted Board With Mounting Plate.....79

S-Wall Series Recessed Board With Dead Front.....81

Inside Assembling Sets and Parts.....82

Inside Assembling Curtains.....85

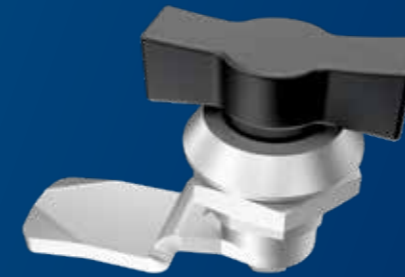
Front Door Alternatives.....87





When used other than the standard lock, it must be notified by the user.

1



2



3



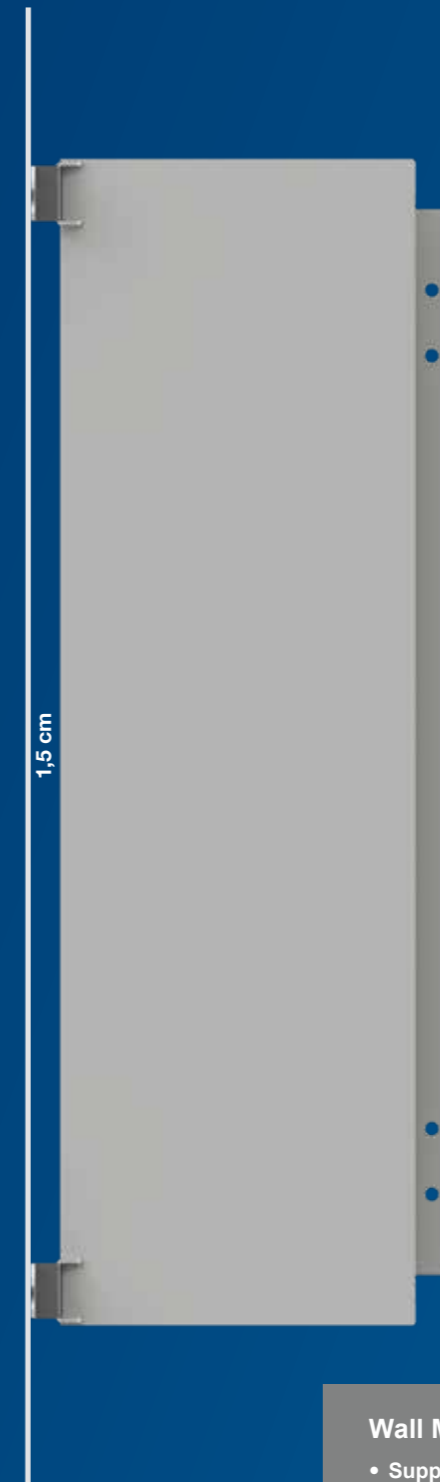
4



- 1- Standard Lock
- 2- T Lock
- 3- Combination lock
- 4- Sealed Lock

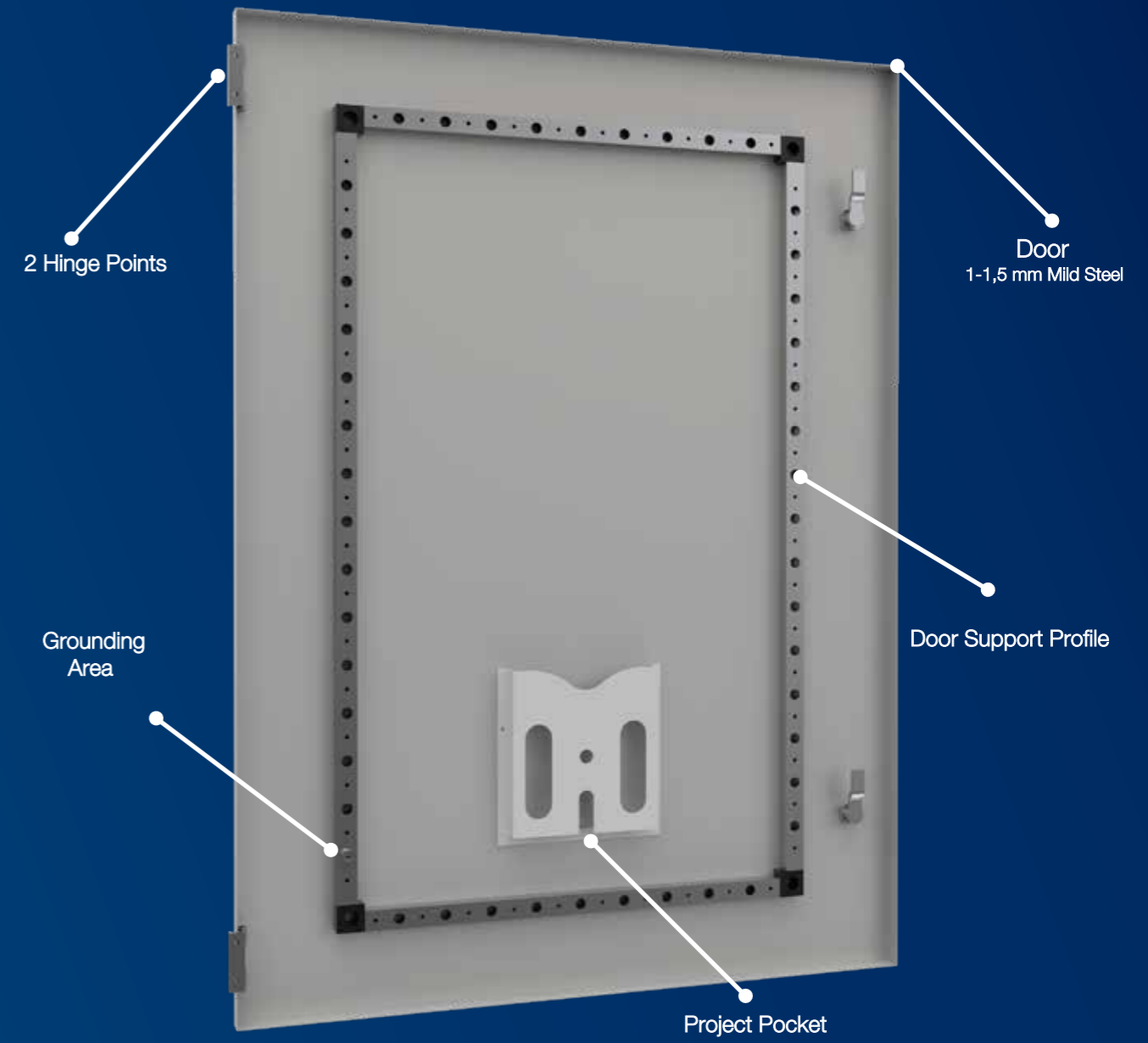


Polyurethane gasket is used for high IP level. After 1000 mm height, there are profiles inside door that increase the strength.

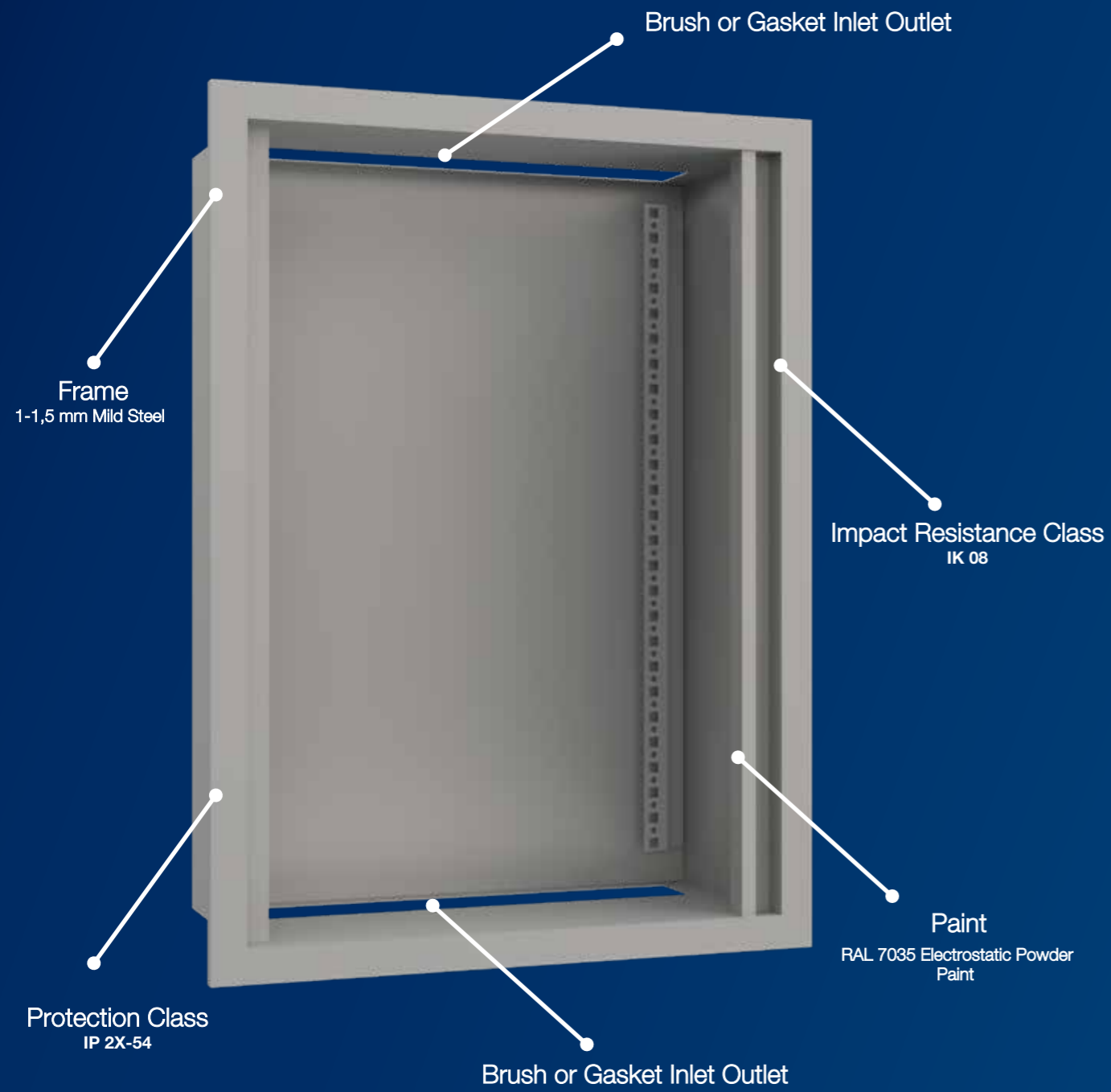


Wall Mount

- Supplied with 4 hanging brackets, dowels and screws for each panel.
- It provides ease of use with its side or bottom-top connection point.



After 1000 mm height, there are profiles inside door that increase the strength.



Recessed

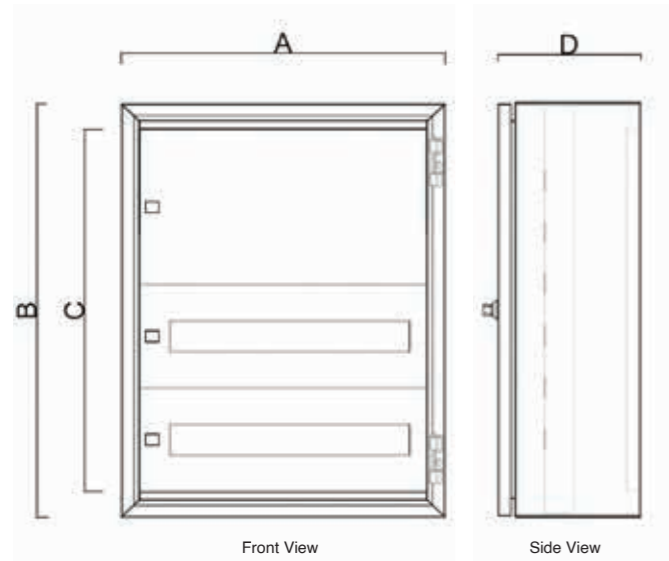
The mounting area should be equal to the depth of the panel. Provides a high IP level with its welded body structure.

S-WALL SERIES SURFACE MOUNTED BOARD WITH DEAD FRONT



Inside Assembling Equipment Pages 83-86

Front Door Alternatives Pages 85-86



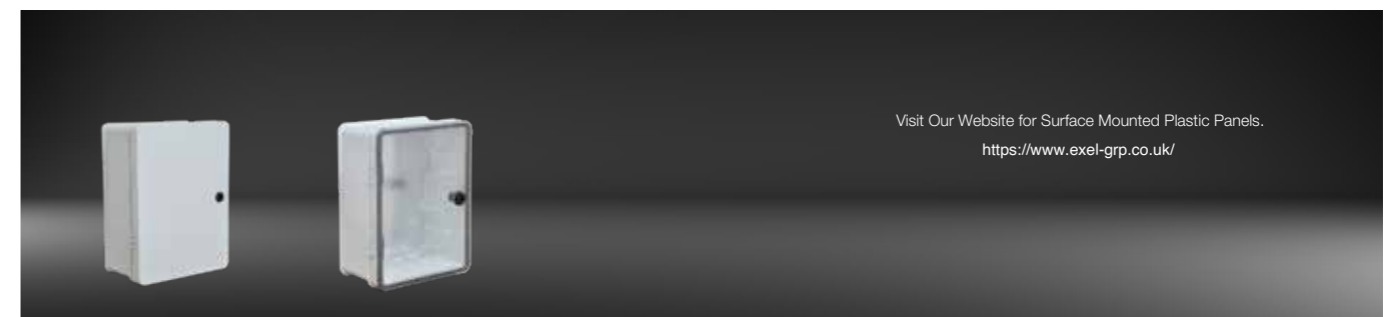
A (mm): Width
B (mm): Height
C (mm): Inside Usage Height
D (mm): Depth

Product Code	A (mm)	B (mm)	C (mm)	D (mm)
3QL4482	400	480	400	220
3QL5482	500	480	400	
3QL4642	400	640	560	
3QL5642	500	640	560	
3QL5722	500	720	640	
3QL5802	500	800	720	
3QL6802	600	800	720	
3QL5882	500	880	800	
3QL6882	600	880	800	
3QL6962	600	960	880	
3QL7962	700	960	880	
3QL8962	800	960	880	
3QL6102	600	1040	960	
3QL7102	700	1040	960	
3QL8102	800	1040	960	
3QL6122	600	1200	1120	
3QL7122	700	1200	1120	
3QL8122	800	1200	1120	
3QL6282	600	1280	1200	
3QL7282	700	1280	1200	
3QL8282	800	1280	1200	
3QL6132	600	1360	1280	
3QL7132	700	1360	1280	
3QL8132	800	1360	1280	
3QL6142	600	1440	1360	
3QL7142	700	1440	1360	
3QL8142	800	1440	1360	

S-WALL SERIES SURFACE MOUNTED BOARD WITH DEAD FRONT

Product Code	A (mm)	B (mm)	C (mm)	D (mm)
3QL4486	400	480	400	260
3QL5486	500	480	400	
3QL4646	400	640	560	
3QL5646	500	640	560	
3QL5726	500	720	640	
3QL5806	500	800	720	
3QL6806	600	800	720	
3QL5886	500	880	800	
3QL6886	600	880	800	
3QL6966	600	960	880	
3QL7966	700	960	880	
3QL8966	800	960	880	
3QL6106	600	1040	960	
3QL7106	700	1040	960	
3QL8106	800	1040	960	
3QL6126	600	1200	1120	
3QL7126	700	1200	1120	
3QL8126	800	1200	1120	
3QL6286	600	1280	1200	
3QL7286	700	1280	1200	
3QL8286	800	1280	1200	
3QL6136	600	1360	1280	
3QL7136	700	1360	1280	
3QL8136	800	1360	1280	
3QL6146	600	1440	1360	
3QL7146	700	1440	1360	
3QL8146	800	1440	1360	

Product Code	A (mm)	B (mm)	C (mm)	D (mm)
3QL4480	400	480	400	300
3QL5480	500	480	400	
3QL4640	400	640	560	
3QL5640	500	640	560	
3QL5720	500	720	640	
3QL5800	500	800	720	
3QL6800	600	800	720	
3QL5880	500	880	800	
3QL6880	600	880	800	
3QL6960	600	960	880	
3QL7960	700	960	880	
3QL8960	800	960	880	
3QL6100	600	1040	960	
3QL7100	700	1040	960	
3QL8100	800	1040	960	
3QL6120	600	1200	1120	
3QL7120	700	1200	1120	
3QL8120	800	1200	1120	
3QL6280	600	1280	1200	
3QL7280	700	1280	1200	
3QL8280	800	1280	1200	
3QL6130	600	1360	1280	
3QL7130	700	1360	1280	
3QL8130	800	1360	1280	
3QL6140	600	1440	1360	
3QL7140	700	1440	1360	
3QL8140	800	1440	1360	



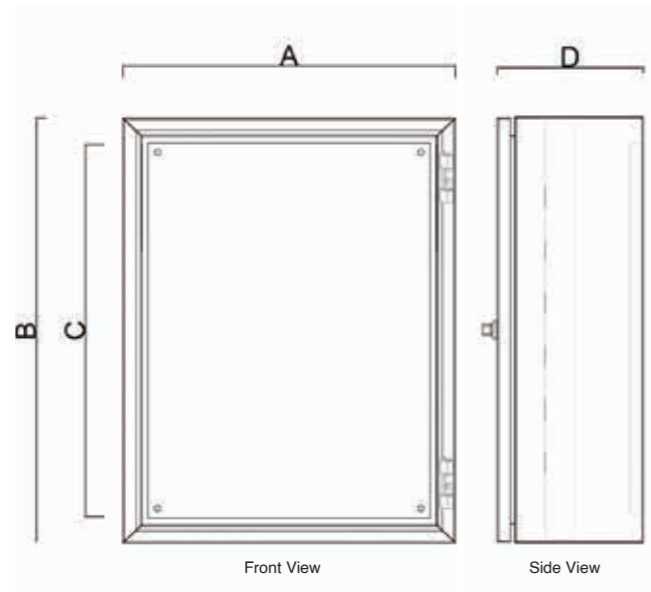
Visit Our Website for Surface Mounted Plastic Panels.
<https://www.exel-grp.co.uk/>

S-WALL SERIES SURFACE MOUNTED BOARD WITH MOUNTING PLATE



Inside Assembling Equipment Pages 83-86

Front Door Alternatives Pages 85-86



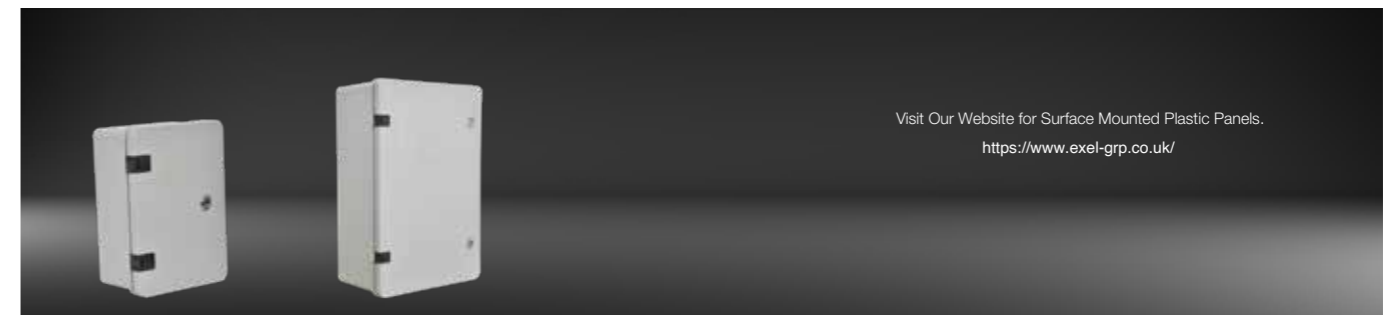
A (mm): Width
B (mm): Height
C (mm): Inside Usage Height
D (mm): Depth

Product Code	A (mm)	B (mm)	C (mm)	D (mm)
3UL4482	400	480	400	220
3UL5482	500	480	400	
3UL4642	400	640	560	
3UL5642	500	640	560	
3UL5722	500	720	640	
3UL5802	500	800	720	
3UL6802	600	800	720	
3ULV5882	500	880	800	
3UL6882	600	880	800	
3UL6962	600	960	880	
3UL7962	700	960	880	
3UL8962	800	960	880	
3UL6102	600	1040	960	
3UL7102	700	1040	960	
3UL8102	800	1040	960	
3UL6126	600	1200	1120	
3UL7122	700	1200	1120	
3UL8122	800	1200	1120	
3UL6282	600	1280	1200	
3UL7282	700	1280	1200	
3UL8282	800	1280	1200	
3UL6132	600	1360	1280	
3UL7132	700	1360	1280	
3UL8132	800	1360	1280	
3UL6142	600	1440	1360	
3UL7142	700	1440	1360	
3UL8142	800	1440	1360	

S-WALL SERIES SURFACE MOUNTED BOARD WITH MOUNTING PLATE

Product Code	A (mm)	B (mm)	C (mm)	D (mm)
3UL4486	400	480	400	260
3UL5486	500	480	400	
3UL4646	400	640	560	
3UL5646	500	640	560	
3UL5726	500	720	640	
3UL5806	500	800	720	
3UL6806	600	800	720	
3UL5886	500	880	800	
3UL6886	600	880	800	
3UL6966	600	960	880	
3UL7966	700	960	880	
3UL8966	800	960	880	
3UL6106	600	1040	960	
3UL7106	700	1040	960	
3UL8106	800	1040	960	
3UL6126	600	1200	1120	
3UL7126	700	1200	1120	
3UL8126	800	1200	1120	
3UL6286	600	1280	1200	
3UL7286	700	1280	1200	
3UL8286	800	1280	1200	
3UL6136	600	1360	1280	
3UL7136	700	1360	1280	
3UL8136	800	1360	1280	
3UL6146	600	1440	1360	
3UL7146	700	1440	1360	
3UL8146	800	1440	1360	

Product Code	A (mm)	B (mm)	C (mm)	D (mm)
3UL4480	400	480	400	300
3UL5480	500	480	400	
3UL4640	400	640	560	
3UL5640	500	640	560	
3UL5720	500	720	640	
3UL5800	500	800	720	
3UL6800	600	800	720	
3UL5880	500	880	800	
3UL6880	600	880	800	
3UL6960	600	960	880	
3UL7960	700	960	880	
3UL8960	800	960	880	
3UL6100	600	1040	960	
3UL7100	700	1040	960	
3UL8100	800	1040	960	
3UL6120	600	1200	1120	
3UL7120	700	1200	1120	
3UL8120	800	1200	1120	
3UL6280	600	1280	1200	
3UL7280	700	1280	1200	
3UL8280	800	1280	1200	
3UL6130	600	1360	1280	
3UL7130	700	1360	1280	
3UL8130	800	1360	1280	
3UL6140	600	1440	1360	
3UL7140	700	1440	1360	
3UL8140	800	1440	1360	

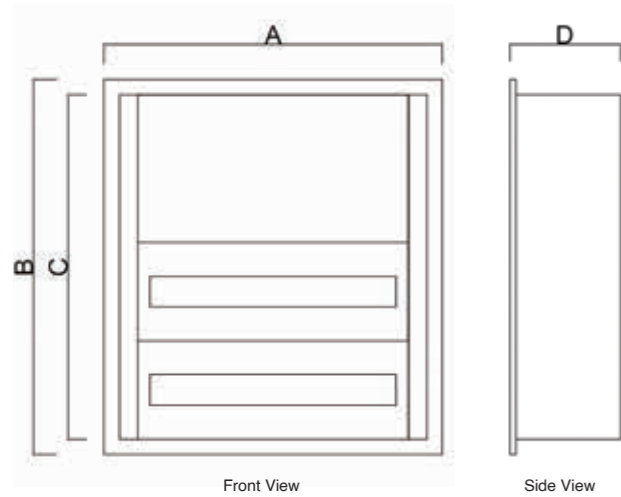


S-WALL SERIES RECESSED BOARD WITH DEAD FRONT



Inside Assembling Equipment Pages 83-86

Front Door Alternatives Pages 85-86



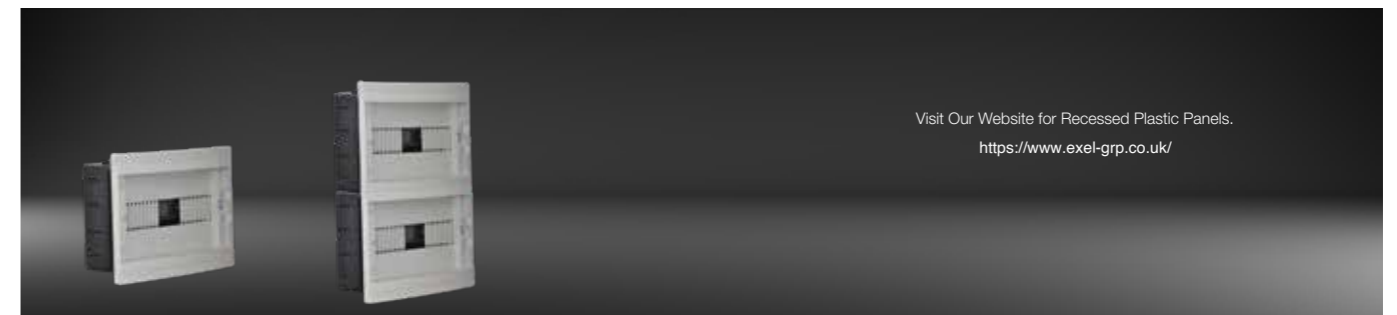
Product Code	A (mm)	B (mm)	C (mm)	D (mm)
4QL4452	450	450	400	120
4QL5452	550	450	400	
4QL4612	450	610	560	
4QL5612	550	610	560	
4QL5692	550	690	640	
4QL5772	550	770	720	
4QL6772	650	770	720	
4QL5852	550	850	800	
4QL6852	650	850	800	
4QL6932	650	930	880	
4QL7932	750	930	880	
4QL8932	850	930	880	
4QL6102	650	1010	960	
4QL7102	750	1010	960	
4QL8102	850	1010	960	
4QL6112	650	1170	1120	
4QL7112	750	1170	1120	
4QL8112	850	1170	1120	
4QL6122	650	1250	1200	
4QL7122	750	1250	1200	
4QL8122	850	1250	1200	
4QL6132	650	1330	1280	
4QL7132	750	1330	1280	
4QL8132	850	1330	1280	
4QL6142	650	1410	1360	
4QL7142	750	1410	1360	
4QL8142	850	1410	1360	

A (mm): Width
 B (mm): Height
 C (mm): Inside Usage Height
 D (mm): Depth

S-WALL SERIES RECESSED BOARD WITH DEAD FRONT

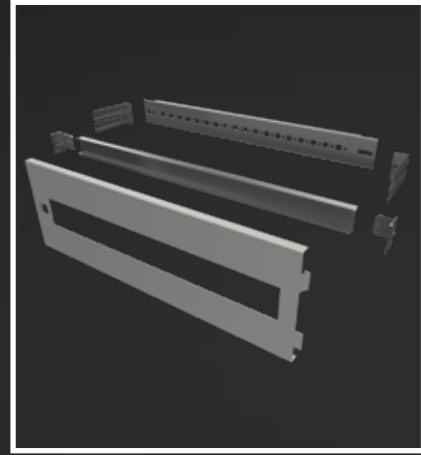
Product Code	A (mm)	B (mm)	C (mm)	D (mm)
4QL4455	450	450	400	150
4QL5455	550	450	400	
4QL4615	450	610	560	
4QL5615	550	610	560	
4QL5695	550	690	640	
4QL5775	550	770	720	
4QL6775	650	770	720	
4QL5855	550	850	800	
4QL6855	650	850	800	
4QL6935	650	930	880	
4QL7935	750	930	880	
4QL8935	850	930	880	
4QL6105	650	1010	960	
4QL7105	750	1010	960	
4QL8105	850	1010	960	
4QL6115	650	1170	1120	
4QL7115	750	1170	1120	
4QL8115	850	1170	1120	
4QL6125	650	1250	1200	
4QL7125	750	1250	1200	
4QL8125	850	1250	1200	
4QL6135	650	1330	1280	
4QL7135	750	1330	1280	
4QL8135	850	1330	1280	
4QL6145	650	1410	1360	
4QL7145	750	1410	1360	
4QL8145	850	1410	1360	

Product Code	A (mm)	B (mm)	C (mm)	D (mm)
4QL4458	450	450	400	180
4QL5458	550	450	400	
4QL4618	450	610	560	
4QL5618	550	610	560	
4QL5698	550	690	640	
4QL5778	550	770	720	
4QL6778	650	770	720	
4QL5858	550	850	800	
4QL6858	650	850	800	
4QL6938	650	930	880	
4QL7938	750	930	880	
4QL8938	850	930	880	
4QL6108	650	1010	960	
4QL7108	750	1010	960	
4QL8108	850	1010	960	
4QL6118	650	1170	1120	
4QL7118	750	1170	1120	
4QL8118	850	1170	1120	
4QL6128	650	1250	1200	
4QL7128	750	1250	1200	
4QL8128	850	1250	1200	
4QL6138	650	1330	1280	
4QL7138	750	1330	1280	
4QL8138	850	1330	1280	
4QL6148	650	1410	1360	
4QL7148	750	1410	1360	
4QL8148	850	1410	1360	



Visit Our Website for ReCESSED Plastic Panels.
<https://www.exel-grp.co.uk/>

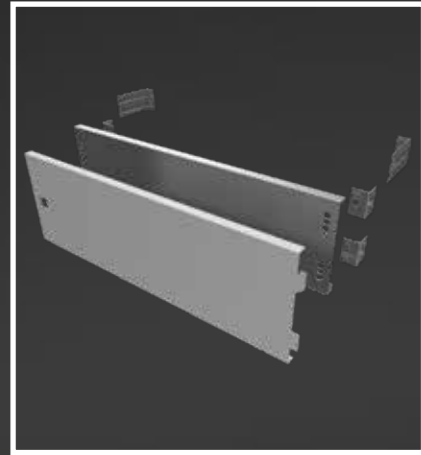
INSIDE ASSEMBLING SETS



AUTOMATIC FUSE SET

Product Code	Recessed Width (mm)	Surface Mounted Width (mm)	Cover Height (mm)	Cover Usage Area (Width) (mm)
2QP416L*	450	400	160	280
2QP516L*	550	500		380
2QP616L*	650	600		480
2QP716L*	750	700		580
2QP816L*	850	800		680
2QP424L*	450	400	240	280
2QP524L*	550	500		380
2QP624L*	650	600		480
2QP724L*	750	700		580
2QP824L*	850	800		680

• Replace the reference star in the product code with 'A' for recessed and 'U' for surface mounted. Ex: 2PO416KA / 2PO416KU

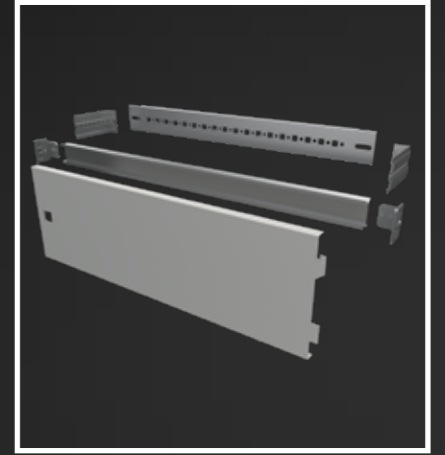


COMPACT SWITCH SET
MCCB Set

Product Code	Recessed Width (mm)	Surface Mounted Width (mm)	Cover Height (mm)	Mounting Plate Usage Area (Width)
2QU416L*	450	400	160	290
2QU516L*	550	500		390
2QU616L*	650	600		490
2QU716L*	750	700		590
2QU816L*	850	800		690
2QU424L*	450	400	240	290
2QU524L*	550	500		390
2QU624L*	650	600		490
2QU724L*	750	700		590
2QU824L*	850	800		690
2QU432L*	450	400	320	290
2QU532L*	550	500		390
2QU632L*	650	600		490
2QU732L*	750	700		590
2QU832L*	850	800		690

• Replace the reference star in the product code with 'A' for recessed and 'U' for surface mounted. Ex: 2PT416KA / 2PT416KU

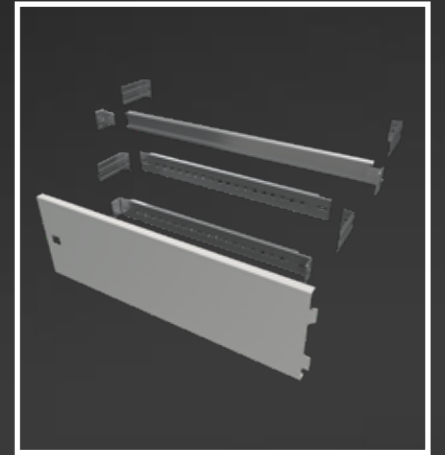
INSIDE ASSEMBLING SETS



CONTRACTOR SET

Product Code	Recessed Width (mm)	Surface Mounted Width (mm)	Cover Height (mm)	Cover Usage Area (Width) (mm)
2QD416L*	450	400	160	280
2QD516L*	550	500		380
2QD616L*	650	600		480
2QD716L*	750	700		580
2QD816L*	850	800		680
2QD424L*	450	400	240	280
2QD524L*	550	500		380
2QD624L*	650	600		480
2QD724L*	750	700		580
2QD824L*	850	800		680

• Replace the reference star in the product code with 'A' for recessed and 'U' for surface mounted. Ex: 2PC416KA / 2PC416KU

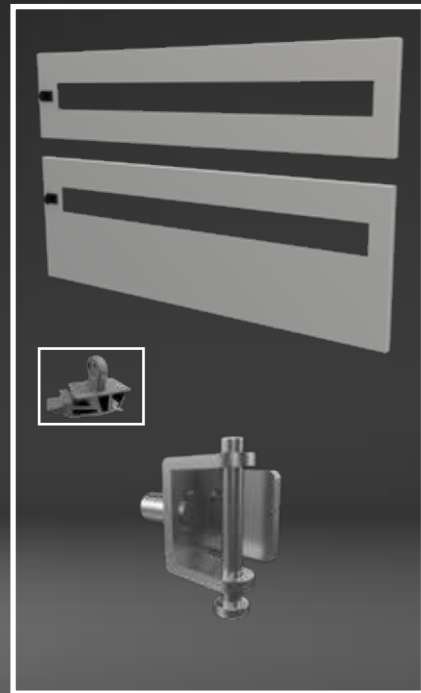
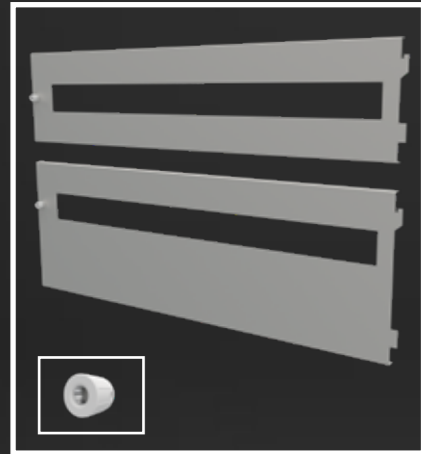
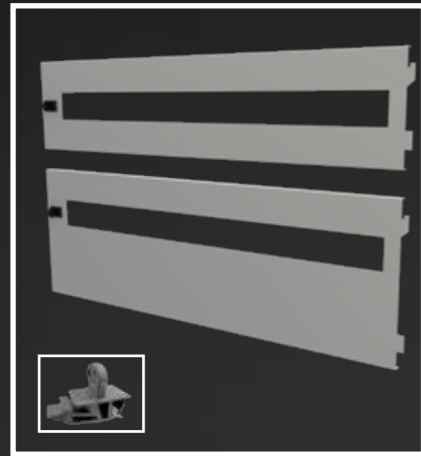


TERMINAL SECTION SET

Product Code	Recessed Width (mm)	Surface Mounted Width (mm)	Cover Height (mm)	Cover Usage Area (Width) (mm)
2QL416L*	450	400	160	280
2QL516L*	550	500		380
2QL616L*	650	600		480
2QL716L*	750	700		580
2QL816L*	850	800		680
2QL424L*	450	400	240	280
2QL524L*	550	500		380
2QL624L*	650	600		480
2QL724L*	750	700		580
2QL824L*	850	800		680

• Replace the reference star in the product code with 'A' for recessed and 'U' for surface mounted. Ex: 2PK416KA / 2PK416KU

INSIDE ASSEMBLING COVERS



AUTOMATIC FUSE CURTAIN
MCB Cover

Product Code	Recessed Width (mm)	Surface Mounted Width (mm)	Cover Height (mm)	Cover Usage Area (Width) (mm)
XPQ416J*	450	400	160	280
XPQ516J*	550	500		380
XPQ616J*	650	600		480
XPQ716J*	750	700		580
XPQ816J*	850	800		680
XPQ424J*	450	400	240	280
XPQ524J*	550	500		380
XPQ624J*	650	600		480
XPQ724J*	750	700		580
XPQ824J*	850	800		680

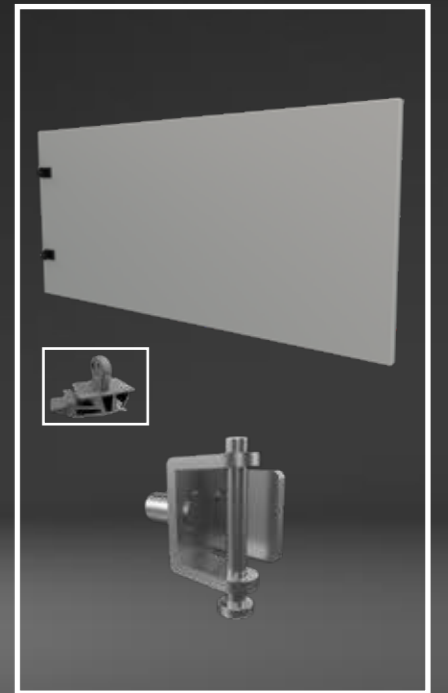
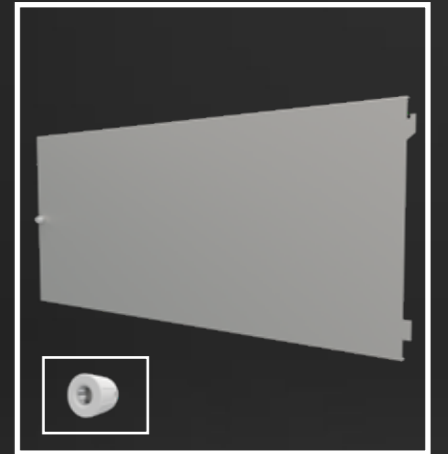
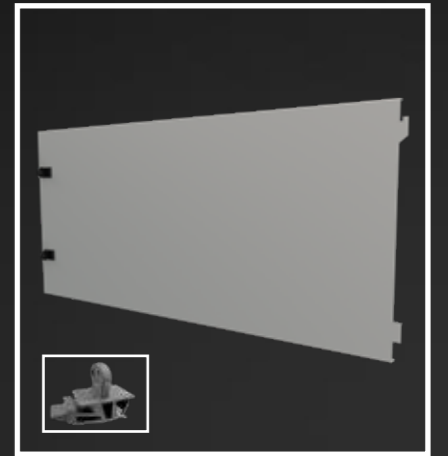
* Replace the reference star in the product code with 'A' for recessed and 'U' for surface mounted. Ex: WOP416iA / WOP416iU

INSIDE ASSEMBLING COVERS

EMPTY COVER

Product Code	Recessed Width (mm)	Surface Mounted Width (mm)	Cover Height (mm)	Cover Usage Area (Width) (mm)
XCQ416J*	450	400	160	280
XCQ516J*	550	500		380
XCQ616J*	650	600		480
XCQ716J*	750	700		580
XCQ816J*	850	800		680
XCQ424J*	450	400	240	280
XCQ524J*	550	500		380
XCQ624J*	650	600		480
XCQ724J*	750	700		580
XCQ824J*	850	800		680
XCQ432J*	450	400	320	280
XCQ532J*	550	500		380
XCQ632J*	650	600		480
XCQ732J*	750	700		580
XCQ832J*	850	800	400	680
XCQ440J*	450	400		280
XCQ540J*	550	500		380
XCQ640J*	650	600		480
XCQ740J*	750	700	480	580
XCQ840J*	850	800		680
XCQ448J*	450	400		280
XCQ548J*	550	500		380
XCQ648J*	650	600	560	480
XCQ748J*	750	700		580
XCQ848J*	850	800		680
XCQ456J*	450	400		280
XCQ556J*	550	500	640	380
XCQ656J*	650	600		480
XCQ756J*	750	700		580
XCQ856J*	850	800		680
XCQ464J*	450	400	640	280
XCQ564J*	550	500		380
XCQ664J*	650	600		480
XCQ764J*	750	700		580
XCQ864J*	850	800	680	

* Replace the reference star in the product code with 'A' for recessed and 'U' for surface mounted. Ex: WBP416iA / WBP416iU



FRONT DOOR ALTERNATIVES



SURFACE MOUNTED FRONT DOOR SELECTION LIST

Product Code	Width (mm)	Panel Height (mm)	Panel Door Usage Area (Width x Height) (mm)
1TL418*	400	480	295 x 415
1TL518*	500	480	395 x 415
1TL618*	400	640	295 x 575
1TL718*	500	640	395 x 575
1TL818*	500	720	395 x 655
1TL420*	500	800	395 x 735
1TL520*	600	800	495 x 735
1TL620*	500	880	395 x 815
1TL720*	600	880	495 x 815
1TL820*	600	960	495 x 895
1TL421*	700	960	555 x 815
1TL521*	800	960	655 x 815
1TL621*	600	1040	455 x 895
1TL721*	700	1040	555 x 895
1TL821*	800	1040	655 x 895
1TL422*	600	1200	455 x 1055
1TL522*	700	1200	555 x 1055
1TL622*	800	1200	655 x 1055
1TL722*	600	1280	455 x 1135
1TL822*	700	1280	555 x 1135
1TL423*	800	1280	655 x 1135
1TL523*	600	1360	455 x 1215
1TL623*	700	1360	555 x 1215
1TL723*	800	1360	655 x 1215
1TL823*	600	1440	455 x 1295
1TL823*	700	1440	555 x 1295
1TL823*	800	1440	655 x 1295

* Substitute **B** (Empty) **C** (Glass) **P** (Plexy) for the second reference star in the product code.
Ex: 1SK418**B** / 1SK418**C**

FRONT DOOR ALTERNATIVES



RECESSED FRONT DOOR SELECTION LIST

Product Code	Width (mm)	Panel Height (mm)	Panel Door Usage Area (Width x Height) (mm)
2TL418*	450	450	280 x 400
2TL518*	550	450	380 x 400
2TL618*	450	610	280 x 560
2TL718*	550	610	380 x 560
2TL818*	550	690	380 x 640
2TL420*	550	770	380 x 720
2TL520*	650	770	480 x 720
2TL620*	550	850	380 x 800
2TL720*	650	850	480 x 800
2TL820*	650	930	480 x 880
2TL421*	750	930	580 x 880
2TL521*	850	930	680 x 880
2TL621*	650	1010	480 x 960
2TL721*	750	1010	455 x 755
2TL821*	850	1010	555 x 755
2TL422*	650	1170	455 x 915
2TL522*	750	1170	555 x 915
2TL622*	850	1170	655 x 915
2TL722*	650	1250	455 x 995
2TL822*	750	1250	555 x 995
2TL423*	850	1250	655 x 995
2TL523*	650	1330	455 x 1075
2TL623*	750	1330	555 x 1075
2TL723*	850	1330	655 x 1075
2TL823*	650	1410	455 x 1155
2TL823*	750	1410	555 x 1155
2TL823*	850	1410	655 x 1155

* Substitute **B** (Empty) **C** (Glass) **P** (Plexy) for the second reference star in the product code.
Ex: 1SK418**B** / 1SK418**C**

OPERATOR CONSOLES

Piano Type Console.....91

Pult Type Console.....92

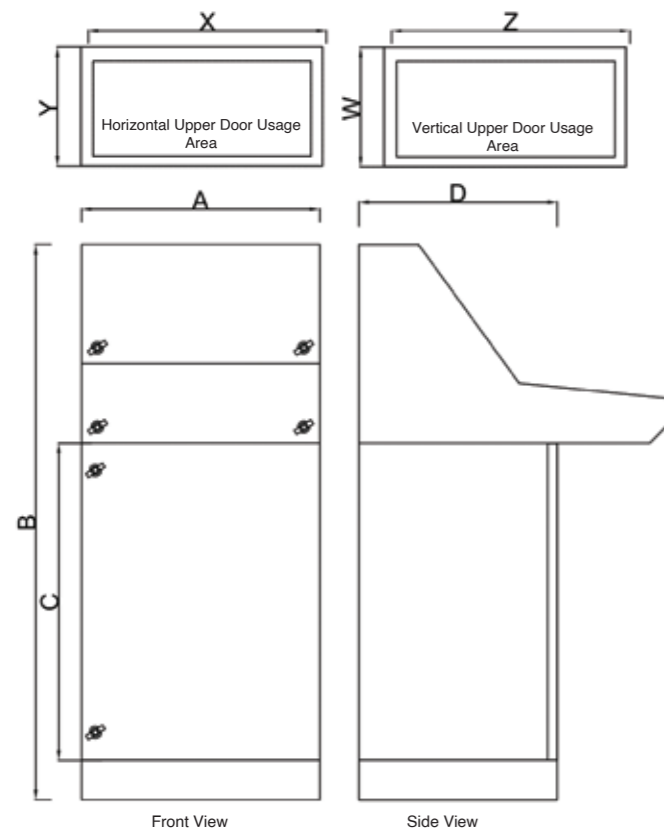


PIANO TYPE CONSOLE

PULT TYPE CONSOLE

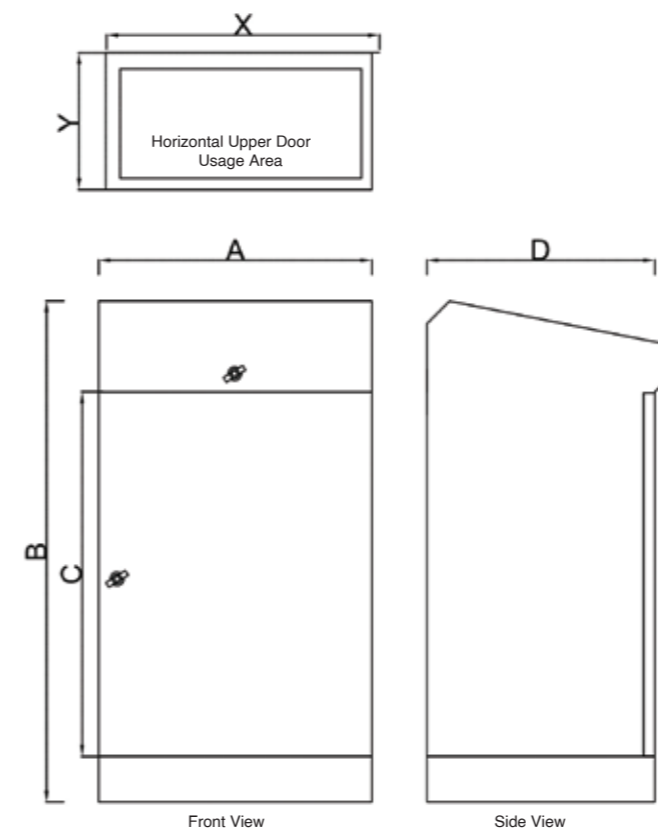


Operator Panels are Produced with One Door and One Mounting Plate Standard. Consult For Special Requests.



Product Code	A (mm)	B (mm)	C (mm)	D (mm)	X-Y (mm)	Z-W (mm)
1PL6115	600	1100	600	500	500 - 345	500 - 345
1PL8115	800		600		700 - 345	700 - 345
1PL1115	1000		600		900 - 345	900 - 345
1PL2115	1200	1300	600	500	1100 - 345	1100 - 345
1PL2135	600		800		500 - 345	500 - 345
1PL8135	800		800		700 - 345	700 - 345
1PL1135	1000	1100	800	600	900 - 345	900 - 345
1PL2135	1200		800		1100 - 345	1100 - 345
1PL2116	600		600		500 - 445	500 - 445
1PL8116	800	1300	600	500	700 - 445	700 - 445
1PL1116	1000		600		900 - 445	900 - 445
1PL2116	1200		600		1100 - 445	1100 - 445
1PL2136	600	1100	800	600	500 - 445	500 - 445
1PL8136	800		800		700 - 445	700 - 445
1PL1136	1000		800		900 - 445	900 - 445
1PL2136	1200	1300	800	800	1100 - 445	1100 - 445
1PL2118	600		600		500 - 645	500 - 645
1PL8118	800		600		700 - 645	700 - 645
1PL1118	1000	1100	600	800	900 - 645	900 - 645
1PL2118	1200		600		1100 - 645	1100 - 645
1PL2138	600		800		500 - 645	500 - 645
1PL8138	800	1300	800	800	700 - 645	700 - 645
1PL1138	1000		800		900 - 645	900 - 645
1PL2138	1200		800		1100 - 645	1100 - 645

A (mm): Width
B (mm): Height
C (mm): Mounting Plate Height
D (mm): Depth
X (mm): Horizontal Upper Door Usage Width
Y (mm): Horizontal Upper Door Usage Depth
Z (mm): Vertical Upper Door Usage Width
W (mm): Vertical Upper Door Usage Depth



A (mm): Width
B (mm): Height
C (mm): Mounting Plate Height
D (mm): Depth
X (mm): Horizontal Upper Door Usage Width
Y (mm): Horizontal Upper Door Usage Depth

Product Code	A (mm)	B (mm)	C (mm)	D (mm)	X-Y (mm)
2PL6115	600	1100	600	500	500 - 410
2PL8115	800		600		700 - 410
2PL1115	1000		600		900 - 410
2PL2115	1200	1300	600	500	1100 - 410
2PL2135	600		800		500 - 410
2PL8135	800		800		700 - 410
2PL1135	1000	1100	800	600	900 - 410
2PL2135	1200		800		1100 - 410
2PL2116	600		600		500 - 510
2PL8116	800	1300	600	500	700 - 510
2PL1116	1000		600		900 - 510
2PL2116	1200		600		1100 - 510
2PL2136	600	1100	800	600	500 - 510
2PL8136	800		800		700 - 510
2PL1136	1000		800		900 - 510
2PL2136	1200	1300	800	800	1100 - 510
2PL2118	600		600		500 - 710
2PL8118	800		600		700 - 710
2PL1118	1000	1100	600	800	900 - 710
2PL2118	1200		600		1100 - 710
2PL2138	600		800		500 - 710
2PL8138	800	1300	800	800	700 - 710
2PL1138	1000		800		900 - 710
2PL2138	1200		800		1100 - 710



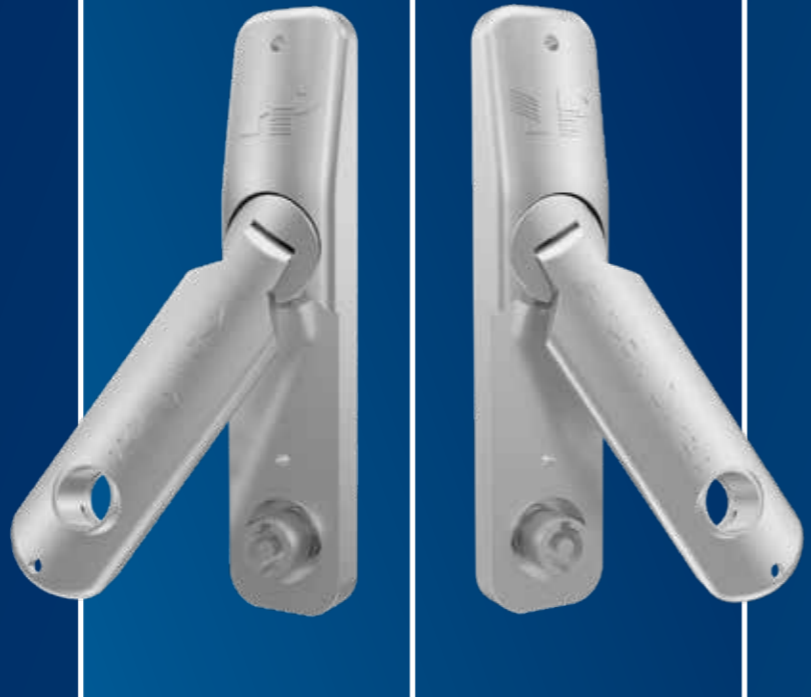
STANDING TYPE OUTDOOR PANEL BOARDS

Standing Type Outdoor Panel Boards.....	103
MOD Series Outdoor Type Board With Dead Front.....	103
MOD Series Outdoor Type Board With Mounting Plate.....	106
K-Series Outdoor Type Board With Dead Front.....	109
K-Series Outdoor Type Board With Mounting Plate.....	112
Inside Assembling Sets and Parts.....	123
Inside Assembling Curtains.....	126



Opens to the Left (L)

Opens to the Right (R)



- High security with four point locking
- High resistance against corrosion
- Aesthetic look



Opens to the Left (L)

Opens to the Right (R)



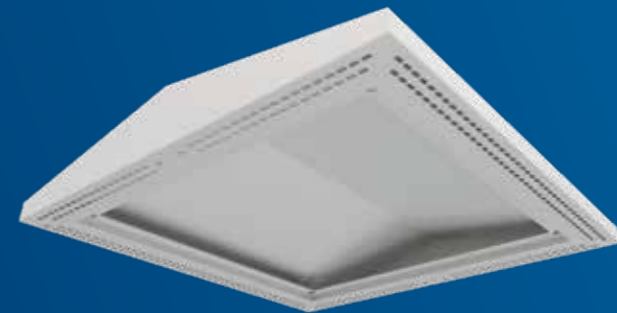
- High security with four point locking
- High resistance against corrosion
- Aesthetic look





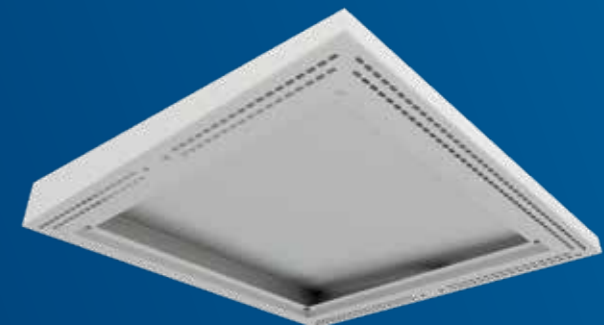
Canopy (Standard)

Canopy type used as standard in outdoor type panels. With its smart design, it prevents rainwater from entering the panel and provides maximum IP level.



Canopy (Optional)

Easily accessible with the welded profile structure and the components can be easily k-mounted. It provides maximum work safety with its round-ed profile structure.



Filter

It keeps the air inside the panel clean. With the help of the fiber inside, it prevents dust and dirt from entering the panel.





Zamak Corner

Silicone is used for higher IP level in the assembly of zamak corners that provide the connection between modular poles.

Frame

1,5 mm DKP electrostatic powder paint



Side and Back Cover Foam

Polyurethane foam gaskets are used to provide IP level at the connection of the side and rear covers with the pole. In this way, IP65 protection class reaches.

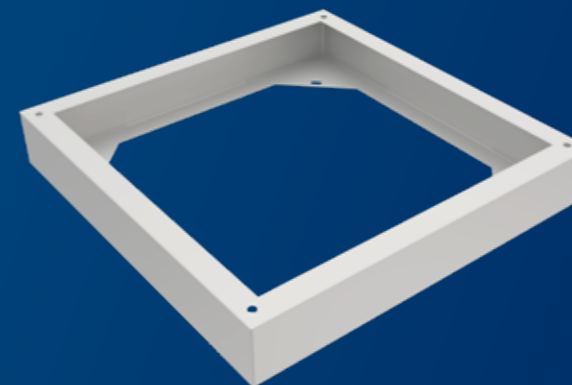
Side and Back Cover

1,2 mm galvanized electrostatic powder paint



Metal Base

It is the base type used in outdoor type panels. Welded structure adds extra durability.





Eye Bolt

It is the eyebolt model used in outdoor panels. During the move, its position is reversed.



Eye Bolt

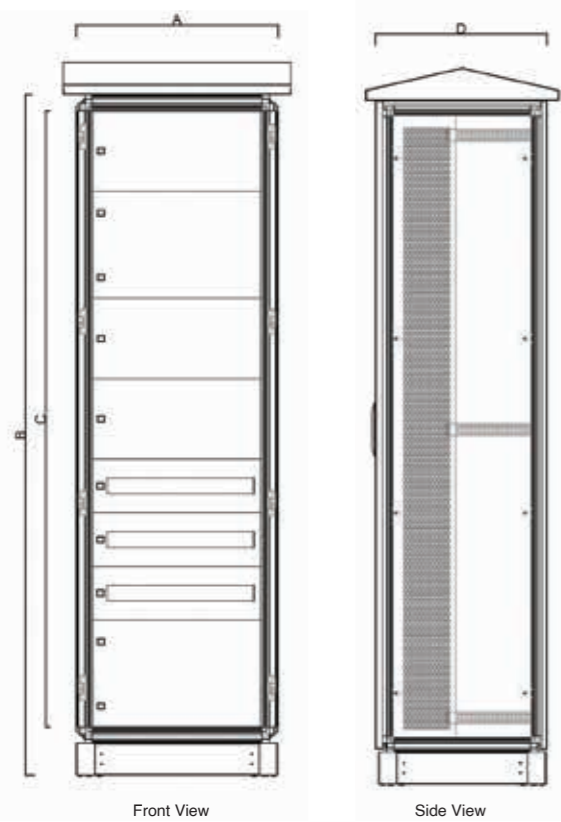
Lug position of the product during transportation. The screws are removed and reassembled in reverse direction and then moved to the desired location with the help of a crane.



MOD SERIES OUTDOOR TYPE BOARD WITH DEAD FRONT



Inside Assembling Equipment Pages 115-128



A (mm): Width
B (mm): Height
C (mm): Inside Usage Height
D (mm): Depth

Product Code	A (mm)	B (mm)	C (mm)	D (mm)
5QL4184	400	1820	1600	400
5QL5184	500			
5QL6184	600			
5QL7184	700			
5QL8184	800			
5QL9184	900	1820	1600	500
5QL4185	400			
5QL5185	500			
5QL6185	600			
5QL7185	700			
5QL8185	800			
5QL9185	900	1820	1600	600
5QL4186	400			
5QL5186	500			
5QL6186	600			
5QL7186	700			
5QL8186	800			
5QL9186	900	1820	1600	700
5QL4187	400			
5QL5187	500			
5QL6187	600			
5QL7187	700			
5QL8187	800			
5QL9187	900	1820	1600	800
5QL4188	400			
5QL5188	500			
5QL6188	600			
5QL7188	700			
5QL8188	800			
5QL9188	900			

MOD SERIES OUTDOOR TYPE BOARD WITH DEAD FRONT

Product Code	A (mm)	B (mm)	C (mm)	D (mm)
5QL4204	400	2060	1840	400
5QL5204	500			
5QL6204	600			
5QL7204	700			
5QL8204	800			
5QL9204	900			
5QL4205	400	2060	1840	500
5QL5205	500			
5QL6205	600			
5QL7205	700			
5QL8205	800			
5QL9205	900			
5QL4206	400	2060	1840	600
5QL5206	500			
5QL6206	600			
5QL7206	700			
5QL8206	800			
5QL9206	900			
5QL4207	400	2060	1840	700
5QL5207	500			
5QL6207	600			
5QL7207	700			
5QL8207	800			
5QL9207	900			
5QL4208	400	2060	1840	800
5QL5208	500			
5QL6208	600			
5QL7208	700			
5QL8208	800			
5QL9208	900			
5QL4209	400	2060	1840	900
5QL5209	500			
5QL6209	600			
5QL7209	700			
5QL8209	800			
5QL9209	900			
5QL4210	400	2060	1840	1000
5QL5210	500			
5QL6210	600			
5QL7210	700			
5QL8210	800			
5QL9210	900			

Product Code	A (mm)	B (mm)	C (mm)	D (mm)
5QL4214	400	2140	1920	400
5QL5214	500			
5QL6214	600			
5QL7214	700			
5QL8214	800			
5QL9214	900			
5QL4215	400	2140	1920	500
5QL5215	500			
5QL6215	600			
5QL7215	700			
5QL8215	800			
5QL9215	900			
5QL4216	400	2140	1920	600
5QL5216	500			
5QL6216	600			
5QL7216	700			
5QL8216	800			
5QL9216	900			
5QL4217	400	2140	1920	700
5QL5217	500			
5QL6217	600			
5QL7217	700			
5QL8217	800			
5QL9217	900			
5QL4218	400	2140	1920	800
5QL5218	500			
5QL6218	600			
5QL7218	700			
5QL8218	800			
5QL9218	900			
5QL4219	400	2140	1920	900
5QL5219	500			
5QL6219	600			
5QL7219	700			
5QL8219	800			
5QL9219	900			
5QL4220	400	2140	1920	1000
5QL5220	500			
5QL6220	600			
5QL7220	700			
5QL8220	800			
5QL9220	900			

MOD SERIES OUTDOOR TYPE BOARD WITH DEAD FRONT

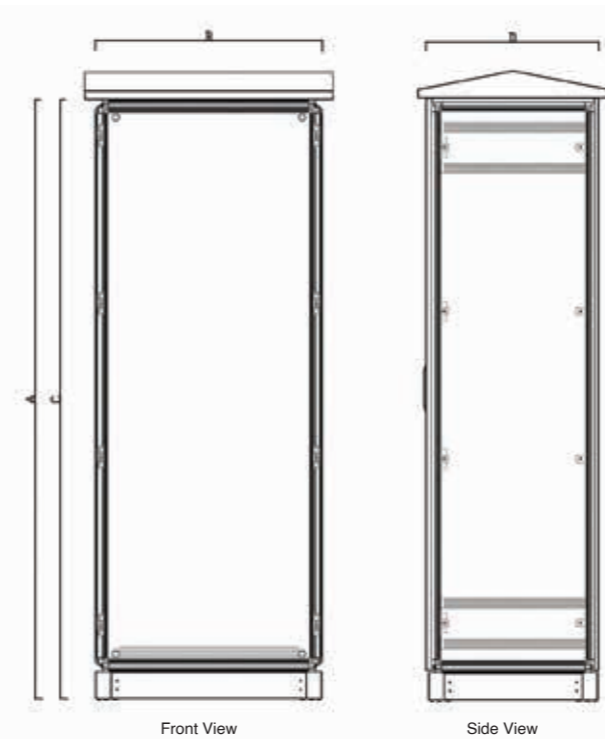
Product Code	A (mm)	B (mm)	C (mm)	D (mm)
5QL4204	400	2060	1840	400
5QL5204	500			
5QL6204	600			
5QL7204	700			
5QL8204	800			
5QL9204	900			
5QL4205	400	2060	1840	500
5QL5205	500			
5QL6205	600			
5QL7205	700			
5QL8205	800			
5QL9205	900			
5QL4206	400	2060	1840	600
5QL5206	500			
5QL6206	600			
5QL7206	700			
5QL8206	800			
5QL9206	900			
5QL4206	400	2060	1840	700
5QL5207	500			
5QL6207	600			
5QL7207	700			
5QL8207	800			
5QL9207	900			
5QL4208	400	2060	1840	800
5QL5208	500			
5QL6208	600			
5QL7208	700			
5QL8208	800			
5QL9208	900			
5QL4208	400	2060	1840	900
5QL5209	500			
5QL6209	600			
5QL7209	700			
5QL8209	800			
5QL9209	900			
5QL4201	400	2060	1840	1000
5QL5201	500			
5QL6201	600			
5QL7201	700			
5QL8201	800			
5QL9201	900			

Product Code	A (mm)	B (mm)	C (mm)	D (mm)
5QL4214	400	2140	1920	400
5QL5214	500			
5QL6214	600			
5QL7214	700			
5QL8214	800			
5QL9214	900			
5QL4215	400	2140	1920	500
5QL5215	500			
5QL6215	600			
5QL7215	700			
5QL8215	800			
5QL9215	900			
5QL4216	400	2140	1920	600
5QL5216	500			
5QL6216	600			
5QL7216	700			
5QL8216	800			
5QL9216	900			
5QL4216	400	2140	1920	700
5QL5217	500			
5QL6217	600			
5QL7217	700			
5QL8217	800			
5QL9217	900			
5QL4218	400	2140	1920	800
5QL5218	500			
5QL6218	600			
5QL7218	700			
5QL8218	800			
5QL9218	900			
5QL4218	400	2140	1920	900
5QL5219	500			
5QL6219	600			
5QL7219	700			
5QL8219	800			
5QL9219	900			
5QL4211	400	2140	1920	1000
5QL5211	500			
5QL6211	600			
5QL7211	700			
5QL8211	800			
5QL9211	900			

MOD SERIES OUTDOOR TYPE BOARD WITH MOUNTING PLATE



Inside Assembling Equipment Pages 115-128



A (mm): Width
 B (mm): Height
 C (mm): Inside Usage Height
 D (mm): Depth

Product Code	A (mm)	B (mm)	C (mm)	D (mm)
5UL4184	400	1820	1600	400
5UL5184	500			
5UL6184	600			
5UL7184	700			
5UL8184	800			
5UL9184	900			
5UL4185	400	1820	1600	500
5UL5185	500			
5UL6185	600			
5UL7185	700			
5UL8185	800			
5UL9185	900			
5UL4186	400	1820	1600	600
5UL5186	500			
5UL6186	600			
5UL7186	700			
5UL8186	800			
5UL9186	900			
5UL4186	400	1820	1600	700
5UL5187	500			
5UL6187	600			
5UL7187	700			
5UL8187	800			
5UL9187	900			
5UL4188	400	1820	1600	800
5UL5188	500			
5UL6188	600			
5UL7188	700			
5UL8188	800			
5UL9188	900			

MOD SERIES OUTDOOR TYPE BOARD WITH MOUNTING PLATE

Product Code	A (mm)	B (mm)	C (mm)	D (mm)
5UL4204	400	2060	1840	400
5UL5204	500			
5UL6204	600			
5UL7204	700			
5UL8204	800			
5UL9204	900			
5UL4205	400	2060	1840	500
5UL5205	500			
5UL6205	600			
5UL7205	700			
5UL8205	800			
5UL9205	900			
5UL4206	400	2060	1840	600
5UL5206	500			
5UL6206	600			
5UL7206	700			
5UL8206	800			
5UL9206	900			
5UL4206	400	2060	1840	700
5UL5207	500			
5UL6207	600			
5UL7207	700			
5UL8207	800			
5UL9207	900			
5UL4208	400	2060	1840	800
5UL5208	500			
5UL6208	600			
5UL7208	700			
5UL8208	800			
5UL9208	900			
5UL4208	400	2060	1840	900
5UL5209	500			
5UL6209	600			
5UL7209	700			
5UL8209	800			
5UL9209	900			
5UL4201	400	2060	1840	1000
5UL5201	500			
5UL6201	600			
5UL7201	700			
5UL8201	800			
5UL9201	900			

Product Code	A (mm)	B (mm)	C (mm)	D (mm)
5UL4214	400	2140	1920	400
5UL5214	500			
5UL6214	600			
5UL7214	700			
5UL8214	800			
5UL9214	900			
5UL4215	400	2140	1920	500
5UL5215	500			
5UL6215	600			
5UL7215	700			
5UL8215	800			
5UL9215	900			
5UL4216	400	2140	1920	600
5UL5216	500			
5UL6216	600			
5UL7216	700			
5UL8216	800			
5UL9216	900			
5UL4216	400	2140	1920	700
5UL5217	500			
5UL6217	600			
5UL7217	700			
5UL8217	800			
5UL9217	900			
5UL4218	400	2140	1920	800
5UL5218	500			
5UL6218	600			
5UL7218	700			
5UL8218	800			
5UL9218	900			
5UL4218	400	2140	1920	900
5UL5219	500			
5UL6219	600			
5UL7219	700			
5UL8219	800			
5UL9219	900			
5UL4211	400	2140	1920	1000
5UL5211	500			
5UL6211	600			
5UL7211	700			
5UL8211	800			
5UL9211	900			

MOD SERIES OUTDOOR TYPE BOARD WITH MOUNTING PLATE

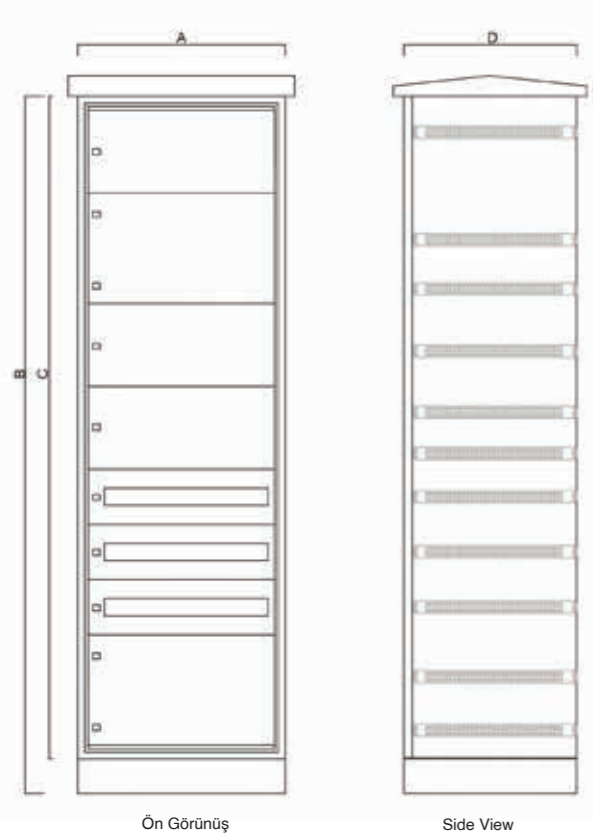
Product Code	A (mm)	B (mm)	C (mm)	D (mm)
5UL4224	400	2220	2000	400
5UL5224	500			
5UL6224	600			
5UL7224	700			
5UL8224	800			
5UL9224	900			
5UL4225	400	2220	2000	500
5UL5225	500			
5UL6225	600			
5UL7225	700			
5UL8225	800			
5UL9225	900			
5UL4226	400	2220	2000	600
5UL5226	500			
5UL6226	600			
5UL7226	700			
5UL8226	800			
5UL9226	900			
5UL4226	400	2220	2000	700
5UL5227	500			
5UL6227	600			
5UL7227	700			
5UL8227	800			
5UL9227	900			
5UL4228	400	2220	2000	800
5UL5228	500			
5UL6228	600			
5UL7228	700			
5UL8228	800			
5UL9228	900			
5UL4228	400	2220	2000	900
5UL5229	500			
5UL6229	600			
5UL7229	700			
5UL8229	800			
5UL9229	900			
5UL4221	400	2220	2000	1000
5UL5221	500			
5UL6221	600			
5UL7221	700			
5UL8221	800			
5UL9221	900			

Product Code	A (mm)	B (mm)	C (mm)	D (mm)
5UL4234	400	2300	2080	400
5UL5234	500			
5UL6234	600			
5UL7234	700			
5UL8234	800			
5UL9234	900			
5UL4235	400	2300	2080	500
5UL5235	500			
5UL6235	600			
5UL7235	700			
5UL8235	800			
5UL9235	900			
5UL4236	400	2300	2080	600
5UL5236	500			
5UL6236	600			
5UL7236	700			
5UL8236	800			
5UL9236	900			
5UL4236	400	2300	2080	700
5UL5237	500			
5UL6237	600			
5UL7237	700			
5UL8237	800			
5UL9237	900			
5UL4238	400	2300	2080	800
5UL5238	500			
5UL6238	600			
5UL7238	700			
5UL8238	800			
5UL9238	900			
5UL4238	400	2300	2080	900
5UL5239	500			
5UL6239	600			
5UL7239	700			
5UL8239	800			
5UL9239	900			
5UL4231	400	2300	2080	1000
5UL5231	500			
5UL6231	600			
5UL7231	700			
5UL8231	800			
5UL9231	900			

K-SERIES OUTDOOE TYPE BOARD WITH DEAD FRONT



Inside Assembling Equipment Pages 115-128



A (mm): Width
 B (mm): Height
 C (mm): Inside Usage Height
 D (mm): Depth

Product Code	A (mm)	B (mm)	C (mm)	D (mm)
6QL4184	400	1820	1600	400
6QL5184	500			
6QL6184	600			
6QL7184	700			
6QL8184	800			
6QL9184	900	1820	1600	500
6QL4185	400			
6QL5185	500			
6QL6185	600			
6QL7185	700			
6QL8185	800			
6QL9185	900	1820	1600	600
6QL4186	400			
6QL5186	500			
6QL6186	600			
6QL7186	700			
6QL8186	800			
6QL9186	900	1820	1600	700
6QL4187	400			
6QL5187	500			
6QL6187	600			
6QL7187	700			
6QL8187	800			
6QL9187	900	1820	1600	800
6QL4188	400			
6QL5188	500			
6QL6188	600			
6QL7188	700			
6QL8188	800			
6QL9188	900			

K-SERIES OUTDOOE TYPE BOARD WITH DEAD FRONT

Product Code	A (mm)	B (mm)	C (mm)	D (mm)
6QL4204	400	2060	1840	400
6QL5204	500			
6QL6204	600			
6QL7204	700			
6QL8204	800			
6QL9204	900			
6QL4205	400	2060	1840	500
6QL5205	500			
6QL6205	600			
6QL7205	700			
6QL8205	800			
6QL9205	900			
6QL4206	400	2060	1840	600
6QL5206	500			
6QL6206	600			
6QL7206	700			
6QL8206	800			
6QL9206	900			
6QL4207	400	2060	1840	700
6QL5207	500			
6QL6207	600			
6QL7207	700			
6QL8207	800			
6QL9207	900			
6QL4208	400	2060	1840	800
6QL5208	500			
6QL6208	600			
6QL7208	700			
6QL8208	800			
6QL9208	900			
6QL4209	400	2060	1840	900
6QL5209	500			
6QL6209	600			
6QL7209	700			
6QL8209	800			
6QL9209	900			
6QL4210	400	2060	1840	1000
6QL5210	500			
6QL6210	600			
6QL7210	700			
6QL8210	800			
6QL9210	900			

Product Code	A (mm)	B (mm)	C (mm)	D (mm)
6QL4214	400	2140	1920	400
6QL5214	500			
6QL6214	600			
6QL7214	700			
6QL8214	800			
6QL9214	900			
6QL4215	400	2140	1920	500
6QL5215	500			
6QL6215	600			
6QL7215	700			
6QL8215	800			
6QL9215	900			
6QL4216	400	2140	1920	600
6QL5216	500			
6QL6216	600			
6QL7216	700			
6QL8216	800			
6QL9216	900			
6QL4217	400	2140	1920	700
6QL5217	500			
6QL6217	600			
6QL7217	700			
6QL8217	800			
6QL9217	900			
6QL4218	400	2140	1920	800
6QL5218	500			
6QL6218	600			
6QL7218	700			
6QL8218	800			
6QL9218	900			
6QL4219	400	2140	1920	900
6QL5219	500			
6QL6219	600			
6QL7219	700			
6QL8219	800			
6QL9219	900			
6QL4220	400	2140	1920	1000
6QL5220	500			
6QL6220	600			
6QL7220	700			
6QL8220	800			
6QL9220	900			

K-SERIES OUTDOOR TYPE BOARD WITH DEAD FRONT

Product Code	A (mm)	B (mm)	C (mm)	D (mm)
6QL4204	400	2060	1840	400
6QL5204	500			
6QL6204	600			
6QL7204	700			
6QL8204	800			
6QL9204	900			
6QL4205	400	2060	1840	500
6QL5205	500			
6QL6205	600			
6QL7205	700			
6QL8205	800			
6QL9205	900			
6QL4206	400	2060	1840	600
6QL5206	500			
6QL6206	600			
6QL7206	700			
6QL8206	800			
6QL9206	900			
6QL4206	400	2060	1840	700
6QL5207	500			
6QL6207	600			
6QL7207	700			
6QL8207	800			
6QL9207	900			
6QL4208	400	2060	1840	800
6QL5208	500			
6QL6208	600			
6QL7208	700			
6QL8208	800			
6QL9208	900			
6QL4208	400	2060	1840	900
6QL5209	500			
6QL6209	600			
6QL7209	700			
6QL8209	800			
6QL9209	900			
6QL4201	400	2060	1840	1000
6QL5201	500			
6QL6201	600			
6QL7201	700			
6QL8201	800			
6QL9201	900			

Product Code	A (mm)	B (mm)	C (mm)	D (mm)
6QL4214	400	2140	1920	400
6QL5214	500			
6QL6214	600			
6QL7214	700			
6QL8214	800			
6QL9214	900			
6QL4215	400	2140	1920	500
6QL5215	500			
6QL6215	600			
6QL7215	700			
6QL8215	800			
6QL9215	900			
6QL4216	400	2140	1920	600
6QL5216	500			
6QL6216	600			
6QL7216	700			
6QL8216	800			
6QL9216	900			
6QL4216	400	2140	1920	700
6QL5217	500			
6QL6217	600			
6QL7217	700			
6QL8217	800			
6QL9217	900			
6QL4218	400	2140	1920	800
6QL5218	500			
6QL6218	600			
6QL7218	700			
6QL8218	800			
6QL9218	900			
6QL4218	400	2140	1920	900
6QL5219	500			
6QL6219	600			
6QL7219	700			
6QL8219	800			
6QL9219	900			
6QL4211	400	2140	1920	1000
6QL5211	500			
6QL6211	600			
6QL7211	700			
6QL8211	800			
6QL9211	900			

K-SERIES OUTDOOR TYPE BOARD WITH MOUNTING PLATE



Inside Assembling Equipment Pages 115-128



A (mm): Width
 B (mm): Height
 C (mm): Inside Usage Height
 D (mm): Depth

Product Code	A (mm)	B (mm)	C (mm)	D (mm)
6UL4184	400	1820	1600	400
6UL5184	500			
6UL6184	600			
6UL7184	700			
6UL8184	800			
6UL9184	900	1820	1600	500
6UL4185	400			
6UL5185	500			
6UL6185	600			
6UL7185	700			
6UL8185	800			
6UL9185	900	1820	1600	600
6UL4186	400			
6UL5186	500			
6UL6186	600			
6UL7186	700			
6UL8186	800			
6UL9186	900	1820	1600	700
6UL4186	400			
6UL5187	500			
6UL6187	600			
6UL7187	700			
6UL8187	800			
6UL9187	900	1820	1600	800
6UL4188	400			
6UL5188	500			
6UL6188	600			
6UL7188	700			
6UL8188	800			
6UL9188	900			

K-SERIES OUTDOOR TYPE BOARD WITH MOUNTING PLATE

Product Code	A (mm)	B (mm)	C (mm)	D (mm)
6UL4204	400	2060	1840	400
6UL5204	500			
6UL6204	600			
6UL7204	700			
6UL8204	800			
6UL9204	900			
6UL4205	400	2060	1840	500
6UL5205	500			
6UL6205	600			
6UL7205	700			
6UL8205	800			
6UL9205	900			
6UL4206	400	2060	1840	600
6UL5206	500			
6UL6206	600			
6UL7206	700			
6UL8206	800			
6UL9206	900			
6UL4206	400	2060	1840	700
6UL5207	500			
6UL6207	600			
6UL7207	700			
6UL8207	800			
6UL9207	900			
6UL4208	400	2060	1840	800
6UL5208	500			
6UL6208	600			
6UL7208	700			
6UL8208	800			
6UL9208	900			
6UL4208	400	2060	1840	900
6UL5209	500			
6UL6209	600			
6UL7209	700			
6UL8209	800			
6UL9209	900			
6UL4201	400	2060	1840	1000
6UL5201	500			
6UL6201	600			
6UL7201	700			
6UL8201	800			
6UL9201	900			

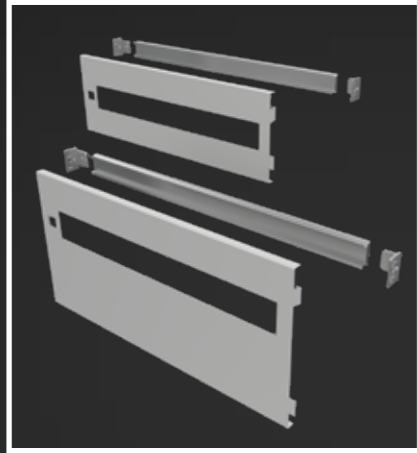
Product Code	A (mm)	B (mm)	C (mm)	D (mm)
6UL4214	400	2140	1920	400
6UL5214	500			
6UL6214	600			
6UL7214	700			
6UL8214	800			
6UL9214	900			
6UL4215	400	2140	1920	500
6UL5215	500			
6UL6215	600			
6UL7215	700			
6UL8215	800			
6UL9215	900			
6UL4216	400	2140	1920	600
6UL5216	500			
6UL6216	600			
6UL7216	700			
6UL8216	800			
6UL9216	900			
6UL4216	400	2140	1920	700
6UL5217	500			
6UL6217	600			
6UL7217	700			
6UL8217	800			
6UL9217	900			
6UL4218	400	2140	1920	800
6UL5218	500			
6UL6218	600			
6UL7218	700			
6UL8218	800			
6UL9218	900			
6UL4218	400	2140	1920	900
6UL5219	500			
6UL6219	600			
6UL7219	700			
6UL8219	800			
6UL9219	900			
6UL4211	400	2140	1920	1000
6UL5211	500			
6UL6211	600			
6UL7211	700			
6UL8211	800			
6UL9211	900			

K-SERIES OUTDOOR TYPE BOARD WITH MOUNTING PLATE

Product Code	A (mm)	B (mm)	C (mm)	D (mm)
6UL4224	400	2220	2000	400
6UL5224	500			
6UL6224	600			
6UL7224	700			
6UL8224	800			
6UL9224	900			
6UL4225	400	2220	2000	500
6UL5225	500			
6UL6225	600			
6UL7225	700			
6UL8225	800			
6UL9225	900			
6UL4226	400	2220	2000	600
6UL5226	500			
6UL6226	600			
6UL7226	700			
6UL8226	800			
6UL9226	900			
6UL4226	400	2220	2000	700
6UL5227	500			
6UL6227	600			
6UL7227	700			
6UL8227	800			
6UL9227	900			
6UL4228	400	2220	2000	800
6UL5228	500			
6UL6228	600			
6UL7228	700			
6UL8228	800			
6UL9228	900			
6UL4228	400	2220	2000	900
6UL5229	500			
6UL6229	600			
6UL7229	700			
6UL8229	800			
6UL9229	900			
6UL4221	400	2220	2000	1000
6UL5221	500			
6UL6221	600			
6UL7221	700			
6UL8221	800			
6UL9221	900			

Product Code	A (mm)	B (mm)	C (mm)	D (mm)
6UL4234	400	2300	2080	400
6UL5234	500			
6UL6234	600			
6UL7234	700			
6UL8234	800			
6UL9234	900			
6UL4235	400	2300	2080	500
6UL5235	500			
6UL6235	600			
6UL7235	700			
6UL8235	800			
6UL9235	900			
6UL4236	400	2300	2080	600
6UL5236	500			
6UL6236	600			
6UL7236	700			
6UL8236	800			
6UL9236	900			
6UL4236	400	2300	2080	700
6UL5237	500			
6UL6237	600			
6UL7237	700			
6UL8237	800			
6UL9237	900			
6UL4238	400	2300	2080	800
6UL5238	500			
6UL6238	600			
6UL7238	700			
6UL8238	800			
6UL9238	900			
6UL4238	400	2300	2080	900
6UL5239	500			
6UL6239	600			
6UL7239	700			
6UL8239	800			
6UL9239	900			
6UL4231	400	2300	2080	1000
6UL5231	500			
6UL6231	600			
6UL7231	700			
6UL8231	800			
6UL9231	900			

INSIDE ASSEMBLING SETS

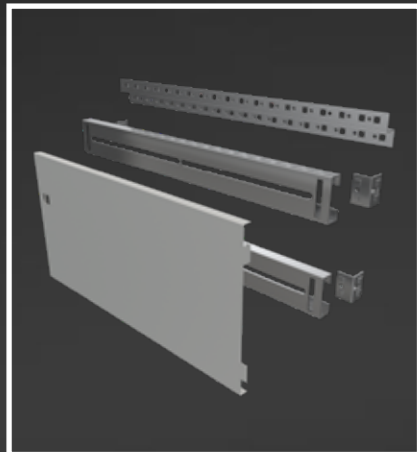


AUTOMATIC FUSE SET MCB Set			Cover Usage Area (Width)	
Product Code	Board Width Width (mm)	Cover Height (mm)	MOD Series Outdoor (mm)	K- Series Outdoor (mm)
QP416L*	400	160	240	220
QP516L*	500		340	320
QP616L*	600		440	420
QP716L*	700		540	520
QP816L*	800		640	620
QP916L*	900		740	720
QP424L*	400	240	240	220
QP524L*	500		340	320
QP624L*	600		440	420
QP724L*	700		540	520
QP824L*	800		640	620
QP924L*	900		740	720

• Replace the reference star in the product code with 'M' for MOD series and 'K' for K-series. Ex: PO416KM / PO416KK

COMPACT SWITCH SET MCCB Set			Cover Usage Area (Width)	
Product Code	Board Width Width (mm)	Cover Height (mm)	MOD Series Outdoor (mm)	K- Series Outdoor (mm)
QU424L*	400	240	240	220
QU524L*	500		340	320
QU624L*	600		440	420
QU724L*	700		540	520
QU824L*	800		640	620
QU924L*	900		740	720
QU432L*	400	320	240	220
QU532L*	500		340	320
QU632L*	600		440	420
QU732L*	700		540	520
QU832L*	800		640	620
QU932L*	900		740	720
QU440L*	400	400	240	220
QU540L*	500		340	320
QU640L*	600		440	420
QU740L*	700		540	520
QU840L*	800		640	620
QU940L*	900		740	720
QU448L*	400	480	240	220
QU548L*	500		340	320
QU648L*	600		440	420
QU748L*	700		540	520
QU848L*	800		640	620
QU948L*	900		740	720

• Replace the reference star in the product code with 'M' for MOD series and 'T' for K-series. Ex: PT424KM / PT424KK



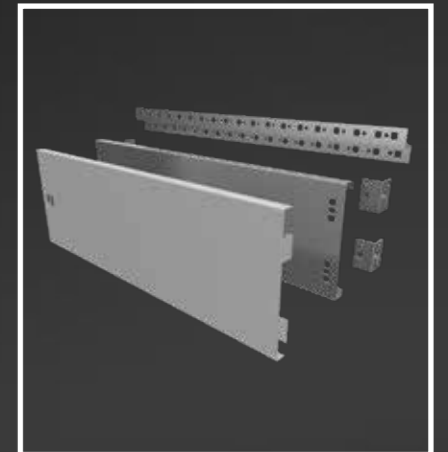
INSIDE ASSEMBLING SETS

OPEN TYPE POWER SWITCH SET ACB Set			Cover Usage Area (Width)	
Product Code	Board Width Width (mm)	Cover Height (mm)	MOD Series Outdoor (mm)	K- Series Outdoor (mm)
QB448L*	400	480	240	220
QB548L*	500		340	320
QB648L*	600		440	420
QB748L*	700		540	520
QB848L*	800		640	620
QB948L*	900		740	720
QB456L*	400	560	240	220
QB556L*	500		340	320
QB656L*	600		440	420
QB756L*	700		540	520
QB856L*	800		640	620
QB956L*	900		740	720
QB464L*	400	640	240	220
QB564L*	500		340	320
QB664L*	600		440	420
QB764L*	700		540	520
QB864L*	800		640	620
QB964L*	900		740	720

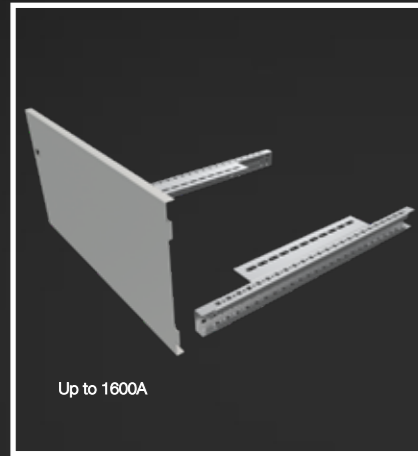
• Replace the reference star in the product code with 'M' for MOD series and 'K' for K-series. Ex: PA448KM / PA448KK

CONTACTOR SET			Mounting Plate Usage Area (Width)	
Product Code	Board Width Width (mm)	Cover Height (mm)	MOD Series Outdoor (mm)	K- Series Outdoor (mm)
QD424L*	400	240	290	265
QD524L*	500		390	365
QD624L*	600		490	465
QD724L*	700		590	565
QD824L*	800		690	665
QD924L*	900		790	765
QD432L*	400	320	290	265
QD532L*	500		390	365
QD632L*	600		490	465
QD732L*	700		590	565
QD832L*	800		690	665
QD932L*	900		790	765
QD440L*	400	400	290	265
QD540L*	500		390	365
QD640L*	600		490	465
QD740L*	700		590	565
QD840L*	800		690	665
QD940L*	900		790	765

• Replace the reference star in the product code with 'M' for MOD series and 'T' for K-series. Ex: PC424KM / PC424KK

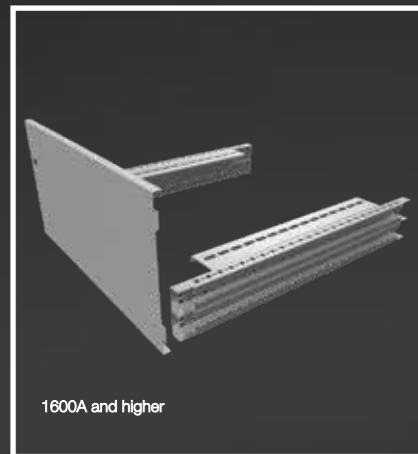


INSIDE ASSEMBLING SETS



BUSBAR SECTION SET			Cover Usage Area (Width)	
Product Code	Board Width (mm)	Curtain Height (mm)	MOD Series Outdoor (mm)	K- Series Outdoor (mm)
QC424L*	400	240	240	220
QC524L*	500		340	320
QC624L*	600		440	420
QC724L*	700		540	520
QC824L*	800		640	620
QC924L*	900		740	720
QC432L*	400	320	240	220
QC532L*	500		340	320
QC632L*	600		440	420
QC732L*	700		540	520
QC832L*	800		640	620
QC932L*	900		740	720

• Replace the reference star in the product code with 'M' for MOD series and 'K' for K-series. Ex: PB424KM / PB424KK



BUSBAR SECTION SET			Cover Usage Area (Width)	
Product Code	Board Width	Cover Height (mm)	MOD Series Outdoor (mm)	K-Series Outdoor (mm)
QE424L*	400	240	240	220
QE524L*	500		340	320
QE624L*	600		440	420
QE724L*	700		540	520
QE824L*	800		640	620
QE924L*	900		740	720
QE432L*	400	320	240	220
QE532L*	500		340	320
QE632L*	600		440	420
QE732L*	700		540	520
QE832L*	800		640	620
QE932L*	900		740	720

• Replace the reference star in the product code with 'M' for MOD series and 'K' for K-series. Ex: PD424KM / PD424KT

INSIDE ASSEMBLING SETS

TERMINAL SECTION SET			Cover Usage Area (Width)	
Product Code	Board Width	Curtain Height (mm)	MOD Series Outdoor (mm)	K- Series Outdoor (mm)
QL424L*	400	240	240	220
QL524L*	500		340	320
QL624L*	600		440	420
QL724L*	700		540	520
QL824L*	800		640	620
QL924L*	900		740	720
QL432L*	400	320	240	220
QL532L*	500		340	320
QL632L*	600		440	420
QL732L*	700		540	520
QL832L*	800		640	620
QL932L*	900		740	720

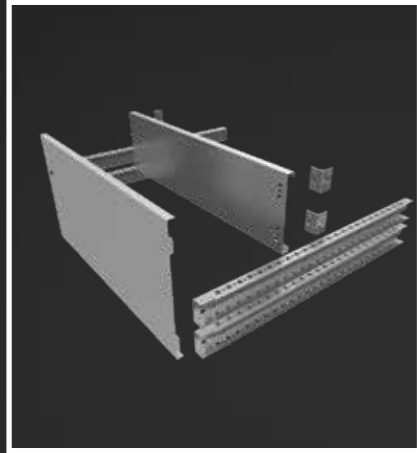
• Replace the reference star in the product code with 'M' for MOD series and 'K' for K-series. Ex: PK424KM / PK424KK

PARTIAL ASSEMBLY PLATE SET			Mounting Plate Usage Area (Width)	
Product Code	Board Width	Curtain Height (mm)	MOD Series Outdoor (mm)	K- Series Outdoor (mm)
UT416L*	400	160	290	265
UT516L*	500		390	365
UT616L*	600		490	465
UT716L*	700		590	565
UT816L*	800		690	765
UT916L*	900		790	865
UT424L*	400	240	290	265
UT524L*	500		390	365
UT624L*	600		490	465
UT724L*	700		590	565
UT824L*	800		690	765
UT924L*	900		790	865
UT432L*	400	320	290	265
UT532L*	500		390	365
UT632L*	600		490	465
UT732L*	700		590	565
UT832L*	800		690	765
UT932L*	900		790	865
UT448L*	400	480	290	265
UT548L*	500		390	365
UT648L*	600		490	465
UT748L*	700		590	565
UT848L*	800		690	765
UT948L*	900		790	865

• Replace the reference star in the product code with 'M' for MOD series and 'K' for K-series. Ex: TS416KM / TS416KK

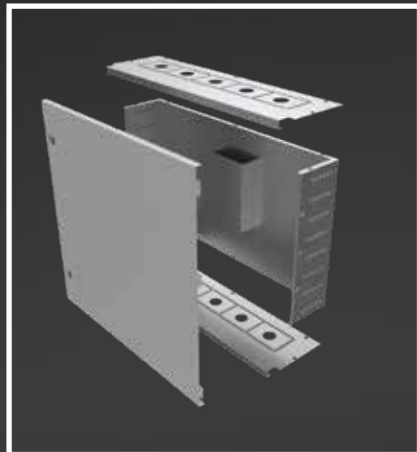
INSIDE ASSEMBLING SETS

INSIDE ASSEMBLING SETS



TOROIDAL CURRENT TRANSFORMER SET			Mounting Plate Usage Area (Width)	
Product Code	Board Width	Cover Height (mm)	MOD Series Outdoor (mm)	K- Series Outdoor (mm)
QS416L*	400	160	290	265
QS516L*	500		390	365
QS616L*	600		490	465
QS716L*	700		590	565
QS816L*	800		690	665
QS916L*	900		790	765
QS424L*	400	240	290	265
QS524L*	500		390	365
QS624L*	600		490	465
QS724L*	700		590	565
QS824L*	800		690	665
QS924L*	900		790	765
QS432L*	400	320	290	265
QS532L*	500		390	365
QS632L*	600		490	465
QS732L*	700		590	565
QS832L*	800		690	665
QS932L*	900		790	765

• Replace the reference star in the product code with 'M' for MOD series and 'K' for K-series. Ex: PR416KM / PR416KK

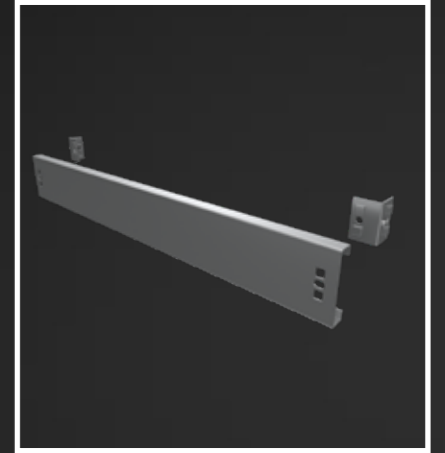


X/5 METER + CURRENT TRANSFORMER MCCB + TOROIDAL SET			Mounting Plate Usage Area (Width)	
Product Code	Board Width	Cover Height (mm)	MOD Series Outdoor (mm)	K- Series Outdoor (mm)
QY456L*	400	560	350	330
QY556L*	500		450	430
QY656L*	600		550	530
QY756L*	700		650	630
QY856L*	800		750	730
QY956L*	900		850	830
QY464L*	400	640	350	330
QY564L*	500		450	430
QY664L*	600		550	530
QY764L*	700		650	630
QY864L*	800		750	730
QY964L*	900		850	830

• Replace the reference star in the product code with 'M' for MOD series and 'K' for K-series. Ex: PX456KM / PX456KK

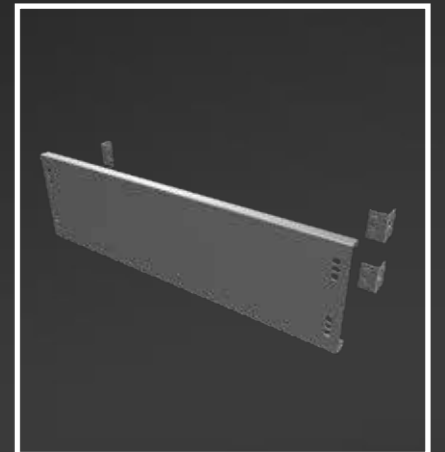
NH FUESE PANEL		Mounting Plate Usage Area (Width)	
Product Code	Board Width	MOD Series Outdoor (mm)	K- Series Outdoor (mm)
OQ400J*	400	290	265
OQ500J*	500	390	365
OQ600J*	600	490	465
OQ700J*	700	590	565
OQ800J*	800	690	665
OQ900J*	900	790	765

• Replace the reference star in the product code with 'M' for MOD series and 'K' for K-series. Ex: NP400IM / NP400IK

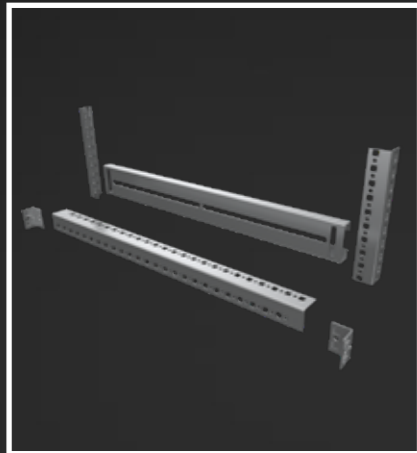


DISCONNECTOR		Mounting Plate Usage Area (Width)	
Product Code	Board Width	MOD Series Outdoor (mm)	K- Series Outdoor (mm)
ZQ400J*	400	290	265
ZQ500J*	500	390	365
ZQ600J*	600	490	465
ZQ700J*	700	590	565
ZQ800J*	800	690	665
ZQ900J*	900	790	765

• Replace the reference star in the product code with 'M' for MOD series and 'K' for K-series. Ex: YP400IM / YP400IK



INSIDE ASSEMBLING SETS



Product Code	Board Width (mm)	Mounting Plate Usage Area (Width)	
		MOD Series Outdoor (mm)	K- Series Outdoor (mm)
LP400J*	400	310	290
LP500J*	500	410	390
LP600J*	600	510	490
LP700J*	700	610	590
LP800J*	800	710	690
LP900J*	900	810	790

• Replace the reference star in the product code with 'M' for MOD series and 'K' for K-series. Ex: KO400iM / KO400iK



Product Code	Board Width (mm)	Mounting Plate Usage Area (Width)	
		MOD Series Outdoor (mm)	K- Series Outdoor (mm)
SQ400J*	400	310	290
SQ500J*	500	410	390
SQ600J*	600	510	490
SQ700J*	700	610	590
SQ800J*	800	710	690
SQ900J*	900	810	790

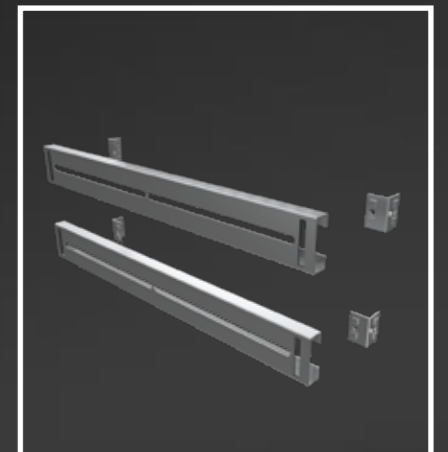
• Replace the reference star in the product code with 'M' for MOD series and 'K' for K-series. Ex: PR400iM / PR400iK

INSIDE ASSEMBLING SETS



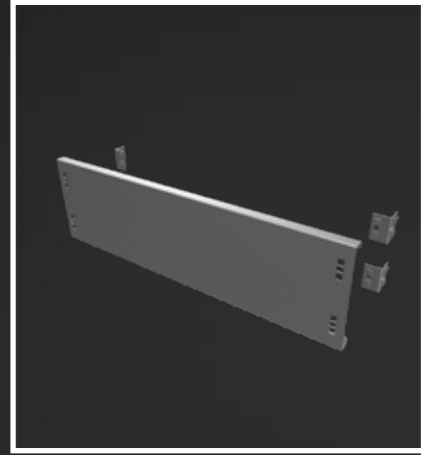
Product Code	Board Width (mm)	Mounting Plate Usage Area (Width)	
		MOD Series Outdoor (mm)	K- Series Outdoor (mm)
TS400J*	400	350	330
TS500J*	500	450	430
TS600J*	600	550	530
TS700J*	700	650	630
TS800J*	800	750	730
TS900J*	900	850	830

• Replace the reference star in the product code with 'M' for MOD series and 'T' for K-series. Ex: SR400iM / SR400iK



Product Code	Board Width	Cover Height (mm)	Mounting Plate Usage Area (Width)	
			MOD Series Outdoor (mm)	K- Series Outdoor (mm)
LQ424J*	400	240	310	290
LQ524J*	500		410	390
LQ624J*	600		510	490
LQ724J*	700		610	590
LQ824J*	800		710	690
LQ924J*	900		810	790
LQ432J*	400	320	310	290
LQ532J*	500		410	390
LQ632J*	600		510	490
LQ732J*	700		610	590
LQ832J*	800		710	690
LQ932J*	900		810	790
LQ440J*	400	400	310	290
LQ540J*	500		410	390
LQ640J*	600		510	490
LQ740J*	700		610	590
LQ840J*	800		710	690
LQ940J*	900		810	790
LQ448J*	400	480	310	290
LQ548J*	500		410	390
LQ648J*	600		510	490
LQ748J*	700		610	590
LQ848J*	800		710	690
LQ948J*	900		810	790

• Replace the reference star in the product code with 'M' for MOD series and 'K' for K-series. Ex: KP424iM / KP424iK



CONTACTOR PANEL MCCB Panel			Mounting Plate Usage Area (Width)	
Product Code	Board Width (mm)	Cover Height (mm)	MOD Series Outdoor (mm)	K- Series Outdoor (mm)
DQ424J*	400	240	290	265
DQ524J*	500		390	365
DQ624J*	600		490	465
DQ724J*	700		590	565
DQ824J*	800		690	665
DQ924J*	900		790	765
DQ432J*	400	320	290	265
DQ532J*	500		390	365
DQ632J*	600		490	465
DQ732J*	700		590	565
DQ832J*	800		690	665
DQ932J*	900		790	765
DQ440J*	400	400	290	265
DQ540J*	500		390	365
DQ640J*	600		490	465
DQ740J*	700		590	565
DQ840J*	800		690	665
DQ940J*	900		790	765
DQ440J*	400	480	290	265
DQ540J*	500		390	365
DQ640J*	600		490	465
DQ740J*	700		590	565
DQ840J*	800		690	665
DQ940J*	900		790	765

• Replace the reference star in the product code with 'M' for MOD series and 'K' for K-series. Ex: CP424IM / CP424IK



OPEN TYPE SWITCH PANEL ACB Panel		Mounting Plate Usage Area (Width)	
Product Code	Board Width (mm)	MOD Series Outdoor (mm)	K- Series Outdoor (mm)
BQ456J*	400	285	265
BQ556J*	500	385	365
BQ656J*	600	485	465
BQ756J*	700	585	565
BQ856J*	800	685	665
BQ956J*	900	785	765

• Replace the reference star in the product code with 'M' for MOD series and 'K' for K-series. Ex: AP456IM / AP456IK

BUSBAR HOLDER		Bara L'si Usage Area (Depth)	
Product Code	Depth (mm)	MOD Series Outdoor (mm)	K- Series Outdoor (mm)
CM432J*	400	290	290
CM532J*	500		
CM632J*	600		
CM732J*	700		
CM832J*	800		
CM932J*	900		

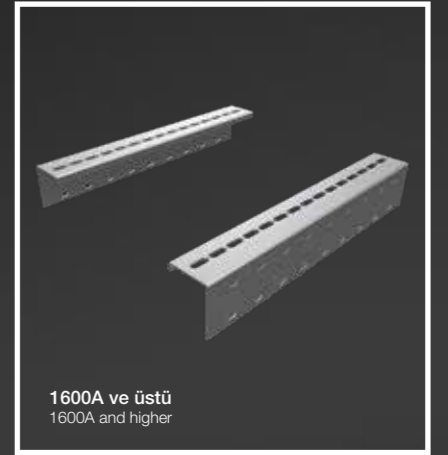
• Replace the reference star in the product code with 'M' for MOD series and 'K' for K-series. Ex: BL432IM / BL432IK



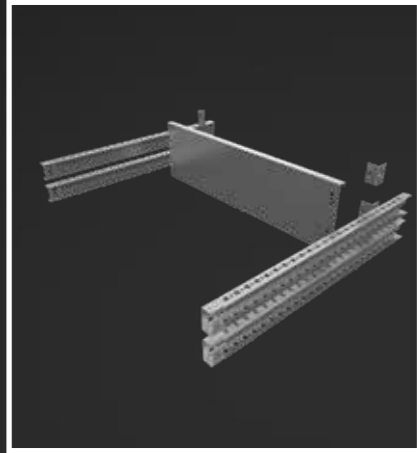
1600A'ya kadar
Up to 1600A

BUSBAR HOLDER		Bara L'si Usage Area (Depth)	
Product Code	Depth (mm)	MOD Series Outdoor (mm)	K- Series Outdoor (mm)
CC532J*	500	220	220
CC632J*	600	220	220
CC732J*	700	390	390
CC832J*	800	390	390
CC932J*	900	400	400

• Replace the reference star in the product code with 'M' for MOD series and 'K' for K-series. Ex: BB432IM / BB432IK



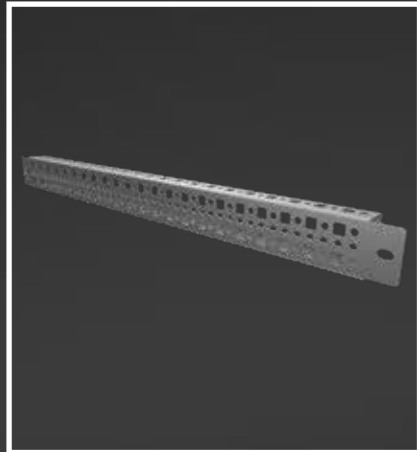
1600A ve üstü
1600A and higher



TOROIDAL CURRENT TRANSFORMER PANEL

Product Code	Board Width (mm)	Mounting Plate Usage Area (Width)	
		MOD Series Outdoor (mm)	K- Series Outdoor (mm)
UQ400J*	400	290	265
UQ500J*	500	390	365
UQ600J*	600	490	465
UQ700J*	700	590	565
UQ800J*	800	690	665
UQ900J	900	790	765

• Replace the reference star in the product code with 'M' for MOD series and 'K' for K-series. Ex: TP400M / TP400K



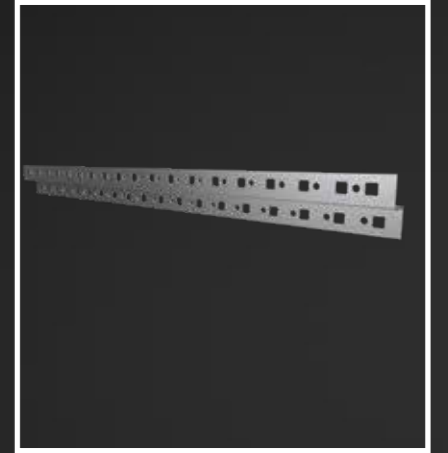
SLIDE RAIL

Product Code	Panel Depth (mm)	Slide Rail Dimension (Depth)	
		MOD Series Outdoor (mm)	K- Series Outdoor (mm)
LA400J*	400	166	270
LA500J*	500	266	370
LA600J*	600	366	470
LA700J*	700	466	570
LA800J*	800	566	670
LA900J*	900	666	770

• Replace the reference star in the product code with 'M' for MOD series and 'T' for K-series. Ex: KZ400M / KZ400T

Note

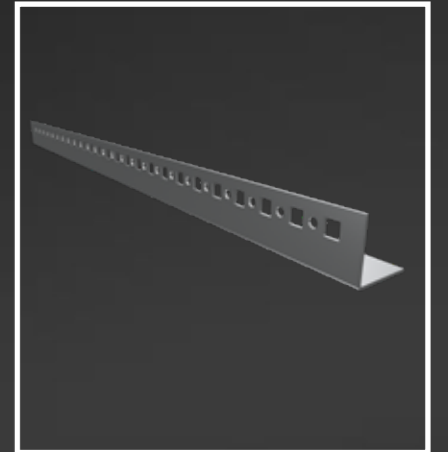
Perforated side plate metal is not used in K-Series enclosures at the side of the panel. For this reason, the side brass is mounted along the depth of the panel. The side brass used in MOD and TT Series panels is mounted to the perforated side plate inside the panel. For this reason, the side brass size is produced shorter than the panel depth.



CABLE HOLDER (Z)

Product Code	Panel Depth (mm)	Cable Holder (Z) Usage Area (Width)	
		MOD Series Outdoor (mm)	K- Series Outdoor (mm)
BA400J*	400	390	390
BA500J*	500	490	490
BA600J*	600	590	590
BA700J*	700	690	690
BA800J*	800	790	790
BA900J*	900	890	890

• Replace the reference star in the product code with 'M' for MOD series and 'K' for K-series. Ex: AZ400M / AZ400K

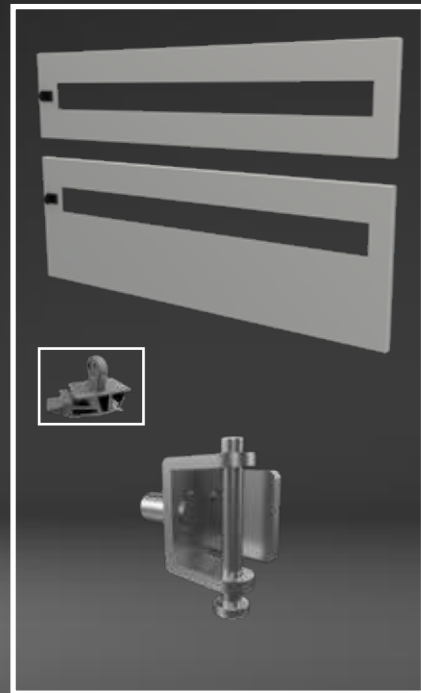
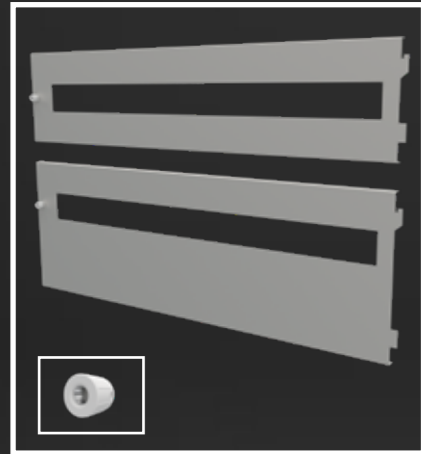
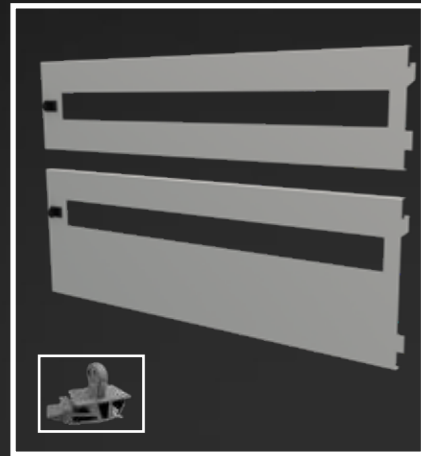


CABLE HOLDER (L)

Product Code	Panel Depth (mm)	Cable Holder (L) Usage Area (Width)	
		MOD Series Outdoor (mm)	K- Series Outdoor (mm)
BM400J*	400	350	330
BM500J*	500	450	430
BM600J*	600	550	530
BM700J*	700	650	630
BM800J*	800	750	730
BM900J*	900	850	830

• Replace the reference star in the product code with 'M' for MOD series and 'K' for K-series. Ex: AL400M / AL400K

INSIDE ASSEMBLING COVERS

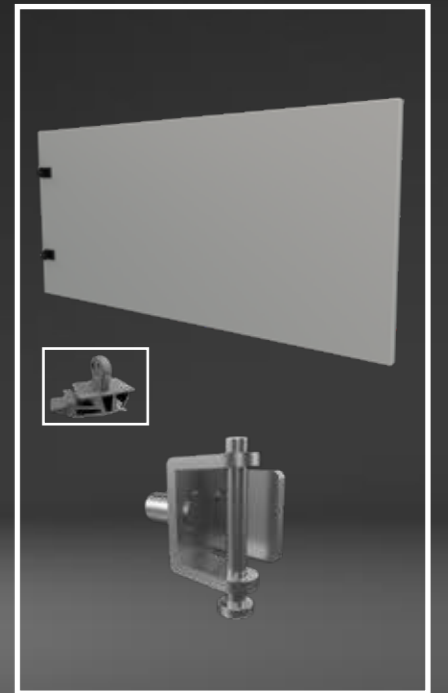
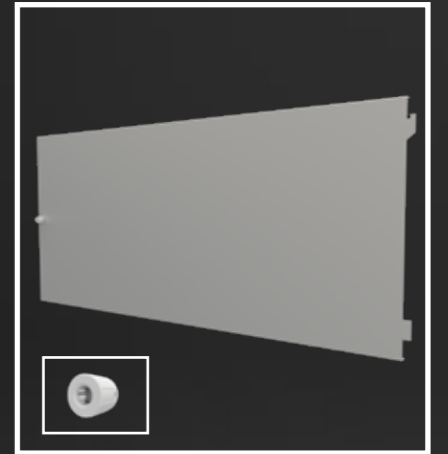
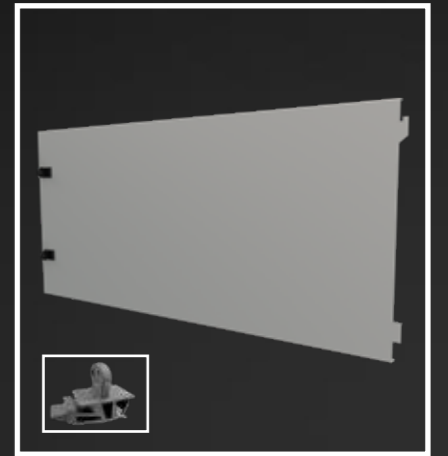


AUTOMATIC FUSE CURTAIN
MCB Cover

Product Code	Board Width (mm)	Cover Height (mm)	Cover Usage Area (Width)	
			MOD Series Outdoor (mm)	K- Series Outdoor (mm)
PQ416J*	400	160	240	220
PQ516J*	500		340	320
PQ616J*	600		440	420
PQ716J*	700		540	520
PQ816J*	800		640	620
PQ916J*	900		740	720
PQ424J*	400	240	240	220
PQ524J*	500		340	320
PQ624J*	600		440	420
PQ724J*	700		540	520
PQ824J*	800		640	620
PQ924J*	900		740	720

• Replace the reference star in the product code with 'M' for MOD series and 'K' for K-series. Ex: OP416iM / OP416iK

INSIDE ASSEMBLING COVERS



EMPTY COVER

Product Code	Board Width (mm)	Cover Height (mm)	Cover Usage Area (Width)	
			MOD Series Outdoor (mm)	K- Series Outdoor (mm)
CQ416J*	400	160	240	220
CQ516J*	500		340	320
CQ616J*	600		440	420
CQ716J*	700		540	520
CQ816J*	800		640	620
CQ916J*	900		740	720
CQ424J*	400	240	240	220
CQ524J*	500		340	320
CQ624J*	600		440	420
CQ724J*	700		540	520
CQ824J*	800		640	620
CQ924J*	900		740	720
CQ432J*	400	320	240	220
CQ532J*	500		340	320
CQ632J*	600		440	420
CQ732J*	700		540	520
CQ832J*	800		640	620
CQ932J*	900		740	720
CQ440J*	400	400	240	220
CQ540J*	500		340	320
CQ640J*	600		440	420
CQ740J*	700		540	520
CQ840J*	800		640	620
CQ940J*	900		740	720
CQ448J*	400	480	2440	220
CQ548J*	500		340	320
CQ648J*	600		440	420
CQ748J*	700		540	520
CQ848J*	800		640	620
CQ948J*	900		740	720
CQ456J*	400	560	240	220
CQ556J*	500		340	320
CQ656J*	600		440	420
CQ756J*	700		540	520
CQ856J*	800		640	620
CQ956J*	900		740	720
CQ464J*	400	640	240	220
CQ564J*	500		340	320
CQ664J*	600		440	420
CQ764J*	700		540	520
CQ864J*	800		640	620
CQ964J*	900		740	720

• Replace the reference star in the product code with 'M' for MOD series and 'K' for K-series. Ex: BP416iM / BP416iK

WALL MOUNTED OUTDOOR PANEL BOARDS

S-Wall Series Outdoor Type Board With Dead Front.....131

S-Wall Series Outdoor Type Board With Mounting Plate.....133

Outdoor Type Workshop Enclosures.....135

Inside Assembling Sets and Parts.....137

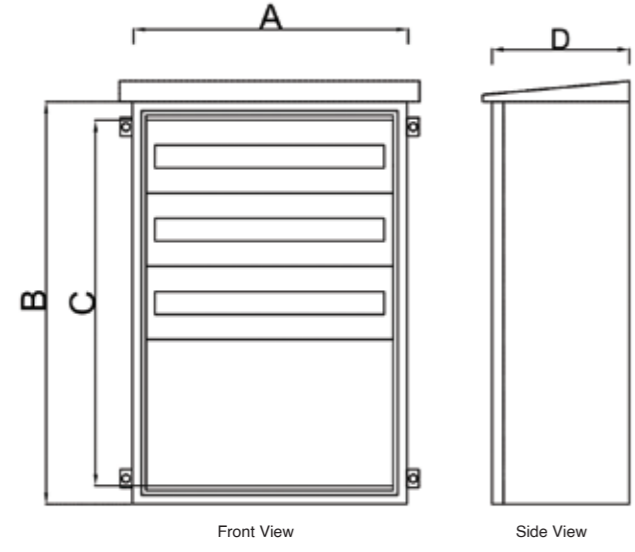
Inside Assembling Curtains.....139



S-WALL SERIES OUTDOOR TYPE SURFACE MOUNTED BOARD WITH DEAD FRONT



Inside Assembling Equipment Pages 137-140



Product Code	A (mm)	B (mm)	C (mm)	D (mm)
7QL4482	400	480	400	220
7QL5482	500	480	400	
7QL4642	400	640	560	
7QL5642	500	640	560	
7QL5722	500	720	640	
7QL5802	500	800	720	
7QL6802	600	800	720	
7QL5882	500	880	800	
7QL6882	600	880	800	
7QL6962	600	960	880	
7QL7962	700	960	880	
7QL8962	800	960	880	
7QL6102	600	1040	960	
7QL7102	700	1040	960	
7QL8102	800	1040	960	
7QL6122	600	1200	1120	
7QL7122	700	1200	1120	
7QL8122	800	1200	1120	
7QL6282	600	1280	1200	
7QL7282	700	1280	1200	
7QL8282	800	1280	1200	
7QL6132	600	1360	1280	
7QL7132	700	1360	1280	
7QL8132	800	1360	1280	
7QL6142	600	1440	1360	
7QL7142	700	1440	1360	
7QL8142	800	1440	1360	

A (mm): Width
 B (mm): Height
 C (mm): Inside Usage Height
 D (mm): Depth

S-WALL SERIES OUTDOOR TYPE SURFACE MOUNTED BOARD WITH DEAD FRONT

Product Code	A (mm)	B (mm)	C (mm)	D (mm)
7QL4486	400	480	400	260
7QL5486	500	480	400	
7QL4646	400	640	560	
7QL5646	500	640	560	
7QL5726	500	720	640	
7QL5806	500	800	720	
7QL6806	600	800	720	
7QL5886	500	880	800	
7QL6886	600	880	800	
7QL6966	600	960	880	
7QL7966	700	960	880	
7QL8966	800	960	880	
7QL6106	600	1040	960	
7QL7106	700	1040	960	
7QL8106	800	1040	960	
7QL6126	600	1200	1120	
7QL7126	700	1200	1120	
7QL8126	800	1200	1120	
7QL6286	600	1280	1200	
7QL7286	700	1280	1200	
7QL8286	800	1280	1200	
7QL6136	600	1360	1280	
7QL7136	700	1360	1280	
7QL8136	800	1360	1280	
7QL6146	600	1440	1360	
7QL7146	700	1440	1360	
7QL8146	800	1440	1360	

Product Code	A (mm)	B (mm)	C (mm)	D (mm)
7QL4480	400	480	400	300
7QL5480	500	480	400	
7QL4640	400	640	560	
7QL5640	500	640	560	
7QL5720	500	720	640	
7QL5800	500	800	720	
7QL6800	600	800	720	
7QL5880	500	880	800	
7QL6880	600	880	800	
7QL6960	600	960	880	
7QL7960	700	960	880	
7QL8960	800	960	880	
7QL6100	600	1040	960	
7QL7100	700	1040	960	
7QL8100	800	1040	960	
7QL6120	600	1200	1120	
7QL7120	700	1200	1120	
7QL8120	800	1200	1120	
7QL6280	600	1280	1200	
7QL7280	700	1280	1200	
7QL8280	800	1280	1200	
7QL6130	600	1360	1280	
7QL7130	700	1360	1280	
7QL8130	800	1360	1280	
7QL6140	600	1440	1360	
7QL7140	700	1440	1360	
7QL8140	800	1440	1360	

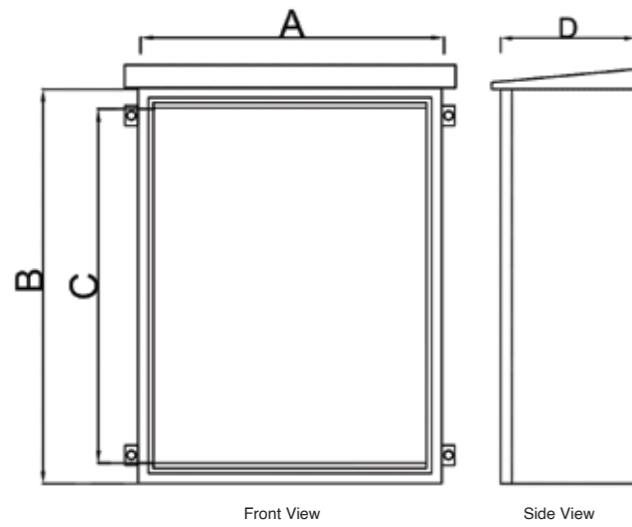


Visit Our Website for Surface Mounted Outdoor Plastic Panels.
<https://www.exel-grp.co.uk/>

S-WALL SERIES OUTDOOR TYPE SURFACE MOUNTED BOARD WITH MOUNTING PLATE



Inside Assembling Equipment Pages 137-140



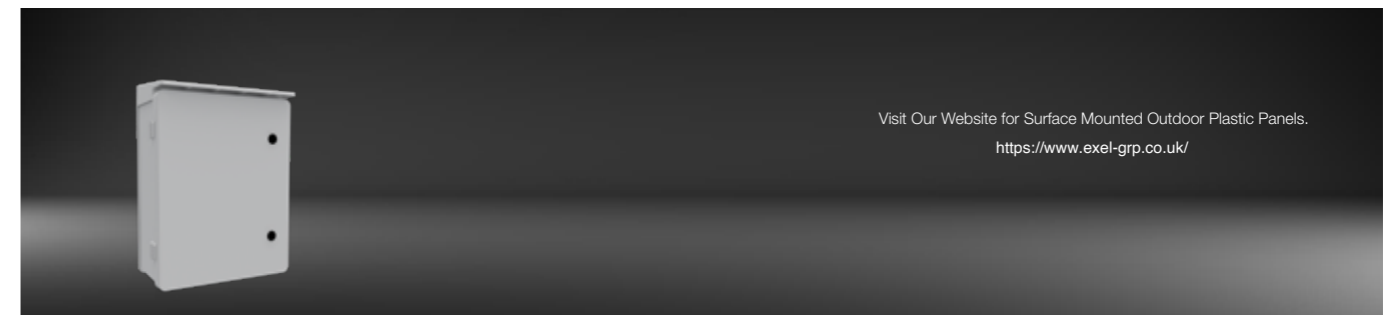
A (mm): Width
 B (mm): Height
 C (mm): Inside Usage Height
 D (mm): Depth

Product Code	A (mm)	B (mm)	C (mm)	D (mm)
7UL4482	400	480	400	220
7UL5482	500	480	400	
7UL4642	400	640	560	
7UL5642	500	640	560	
7UL5722	500	720	640	
7UL5802	500	800	720	
7UL6802	600	800	720	
7UL5882	500	880	800	
7UL6882	600	880	800	
7UL6962	600	960	880	
7UL7962	700	960	880	
7UL8962	800	960	880	
7UL6102	600	1040	960	
7UL7102	700	1040	960	
7UL8102	800	1040	960	
7UL6126	600	1200	1120	
7UL7122	700	1200	1120	
7UL8122	800	1200	1120	
7UL6282	600	1280	1200	
7UL7282	700	1280	1200	
7UL8282	800	1280	1200	
7UL6132	600	1360	1280	
7UL7132	700	1360	1280	
7UL8132	800	1360	1280	
7UL6142	600	1440	1360	
7UL7142	700	1440	1360	
7UL8142	800	1440	1360	

S-WALL SERIES OUTDOOR TYPE SURFACE MOUNTED BOARD WITH MOUNTING PLATE

Product Code	A (mm)	B (mm)	C (mm)	D (mm)
7UL4486	400	480	400	260
7UL5486	500	480	400	
7UL4646	400	640	560	
7UL5646	500	640	560	
7UL5726	500	720	640	
7UL5806	500	800	720	
7UL6806	600	800	720	
7UL5886	500	880	800	
7UL6886	600	880	800	
7UL6966	600	960	880	
7UL7966	700	960	880	
7UL8966	800	960	880	
7UL6106	600	1040	960	
7UL7106	700	1040	960	
7UL8106	800	1040	960	
7UL6126	600	1200	1120	
7UL7126	700	1200	1120	
7UL8126	800	1200	1120	
7UL6286	600	1280	1200	
7UL7286	700	1280	1200	
7UL8286	800	1280	1200	
7UL6136	600	1360	1280	
7UL7136	700	1360	1280	
7UL8136	800	1360	1280	
7UL6146	600	1440	1360	
7UL7146	700	1440	1360	
7UL8146	800	1440	1360	

Product Code	A (mm)	B (mm)	C (mm)	D (mm)
7UL4480	400	480	400	300
7UL5480	500	480	400	
7UL4640	400	640	560	
7UL5640	500	640	560	
7UL5720	500	720	640	
7UL5800	500	800	720	
7UL6800	600	800	720	
7UL5880	500	880	800	
7UL6880	600	880	800	
7UL6960	600	960	880	
7UL7960	700	960	880	
7UL8960	800	960	880	
7UL6100	600	1040	960	
7UL7100	700	1040	960	
7UL8100	800	1040	960	
7UL6120	600	1200	1120	
7UL7120	700	1200	1120	
7UL8120	800	1200	1120	
7UL6280	600	1280	1200	
7UL7280	700	1280	1200	
7UL8280	800	1280	1200	
7UL6130	600	1360	1280	
7UL7130	700	1360	1280	
7UL8130	800	1360	1280	
7UL6140	600	1440	1360	
7UL7140	700	1440	1360	
7UL8140	800	1440	1360	

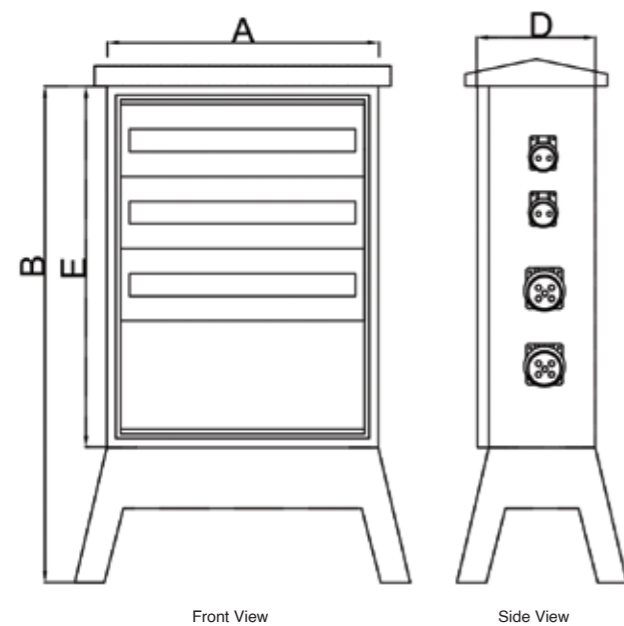


Visit Our Website for Surface Mounted Outdoor Plastic Panels.
<https://www.exel-grp.co.uk/>



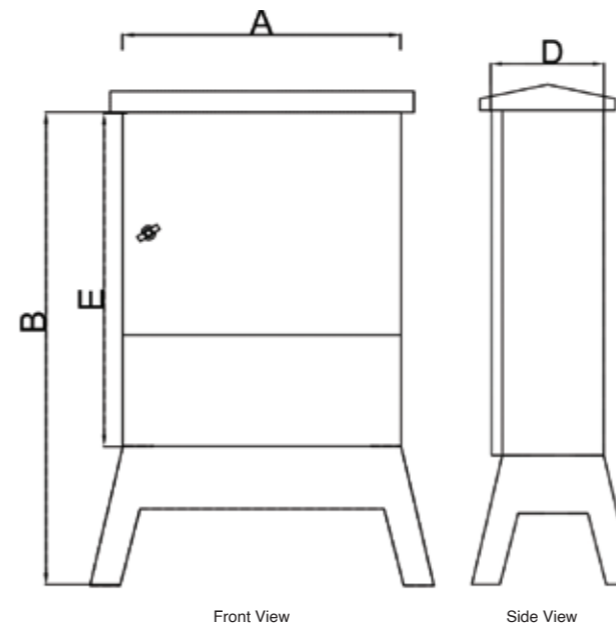
Inside Assembling Equipment Pages 137-140

Inside Assembling Equipment Pages 137-140



Product Code	A (mm)	B (mm)	E (mm)	D (mm)
1BT4942	400	940	640	220
1BT4832	400	830	800	
1BT5942	500	940	640	
1BT5832	500	830	800	
1BT5102	500	1070	1040	
1BT6832	600	830	800	
1BT6102	600	1070	1040	
1BT6122	600	1230	1200	
1BT7832	700	830	800	
1BT7102	700	1070	1040	
1BT7122	700	1230	1200	
1BT8832	800	830	800	
1BT8102	800	1070	1040	
1BT8122	800	1230	1200	
1BT4946	400	940	640	260
1BT4836	400	830	800	
1BT5946	500	940	640	
1BT5836	500	830	800	
1BT5106	500	1070	1040	
1BT6836	600	830	800	
1BT6106	600	1070	1040	
1BT6126	600	1230	1200	
1BT7836	700	830	800	
1BT7106	700	1070	1040	
1BT7126	700	1230	1200	
1BT8836	800	830	800	
1BT8106	800	1070	1040	
1BT8126	800	1230	1200	

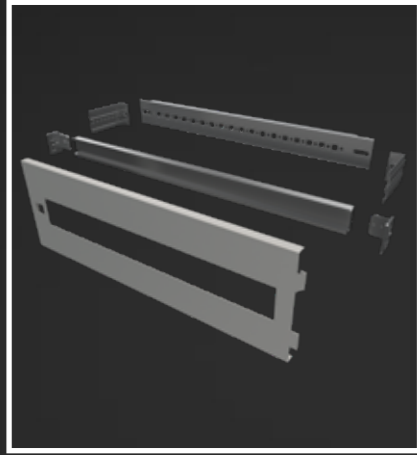
A (mm): Width
 B (mm): Height
 E (mm): Body Height Excluding Foot
 D (mm): Depth



Product Code	A (mm)	B (mm)	E (mm)	D (mm)
2BT4942	400	940	640	220
2BT4832	400	830	800	
2BT5942	500	940	640	
2BT5832	500	830	800	
2BT5102	500	1070	1040	
2BT6832	600	830	800	
2BT6102	600	1070	1040	
2BT6122	600	1230	1200	
2BT7832	700	830	800	
2BT7102	700	1070	1040	
2BT7122	700	1230	1200	
2BT8832	800	830	800	
2BT8102	800	1070	1040	
2BT8122	800	1230	1200	
2BT4946	400	940	640	260
2BT4836	400	830	800	
2BT5946	500	940	640	
2BT5836	500	830	800	
2BT5106	500	1070	1040	
2BT6836	600	830	800	
2BT6106	600	1070	1040	
2BT6126	600	1230	1200	
2BT7836	700	830	800	
2BT7106	700	1070	1040	
2BT7126	700	1230	1200	
2BT8836	800	830	800	
2BT8106	800	1070	1040	
2BT8126	800	1230	1200	

A (mm): Width
 B (mm): Height
 E (mm): Body Height Excluding Foot
 D (mm): Depth

INSIDE ASSEMBLING SETS

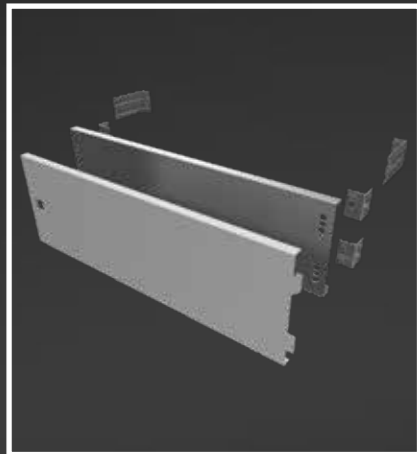


AUTOMATIC FUSE SET
MCB Set

Product Code	Board Width (mm)	Cover Height (mm)	Cover Usage Area (Width) (mm)
2QP416LV	400	160	280
2QP516LV	500		380
2QP616LV	600		480
2QP716LV	700		580
2QP816LV	800		680
2QP424LV	400	240	280
2QP524LV	500		380
2QP624LV	600		480
2QP724LV	700		580
2QP824LV	800		680

COMPACT SWITCH SET
MCCB Set

Product Code	Board Width (mm)	Cover Height (mm)	Mounting Plate Usage Area (Width)
2QU416LV	400	160	290
2QU516LV	500		390
2QU616LV	600		490
2QU716LV	700		590
2QU816LV	800		690
2QU424LV	400	240	290
2QU524LV	500		390
2QU624LV	600		490
2QU724LV	700		590
2QU824LV	800		690
2QU432LV	400	320	290
2QU532LV	500		390
2QU632LV	600		490
2QU732LV	700		590
2QU832LV	800		690



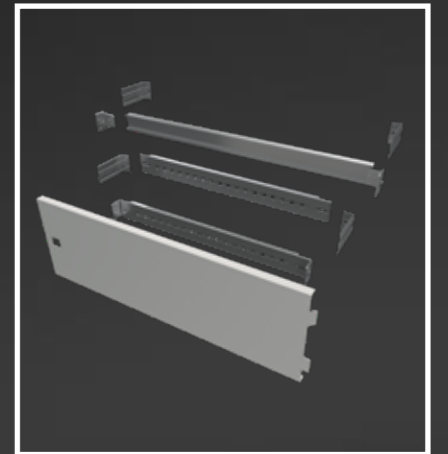
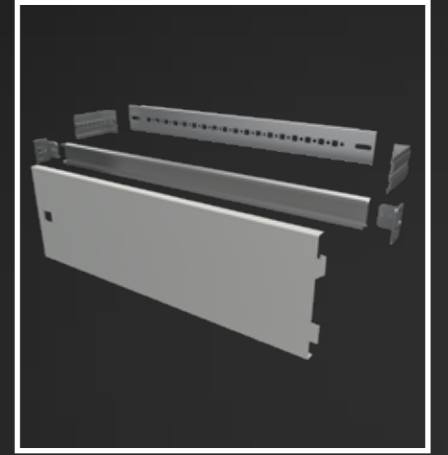
INSIDE ASSEMBLING SETS

CONTRACTOR SET

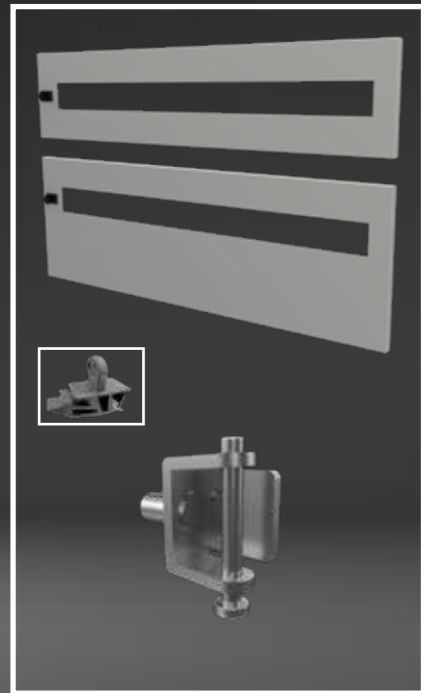
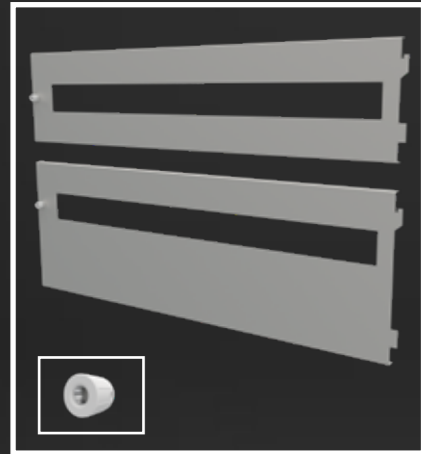
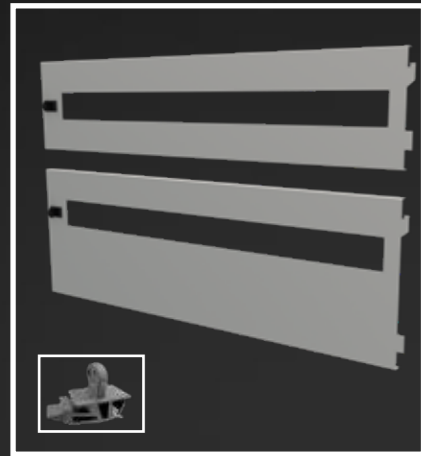
Product Code	Board Width (mm)	Cover Height (mm)	Cover Usage Area (Width) (mm)
2QD416LV	400	160	280
2QD516LV	500		380
2QD616LV	600		480
2QD716LV	700		580
2QD816LV	800		680
2QD424LV	400	240	280
2QD524LV	500		380
2QD624LV	600		480
2QD724LV	700		580
2QD824LV	800		680

TERMINAL SECTION SET

Product Code	Board Width (mm)	Cover Height (mm)	Cover Usage Area (Width) (mm)
2QL416LV	400	160	280
2QL516LV	500		380
2QL616LV	600		480
2QL716LV	700		580
2QL816LV	800		680
2QL424LV	400	240	280
2QL524LV	500		380
2QL624LV	600		480
2QL724LV	700		580
2QL824LV	800		680



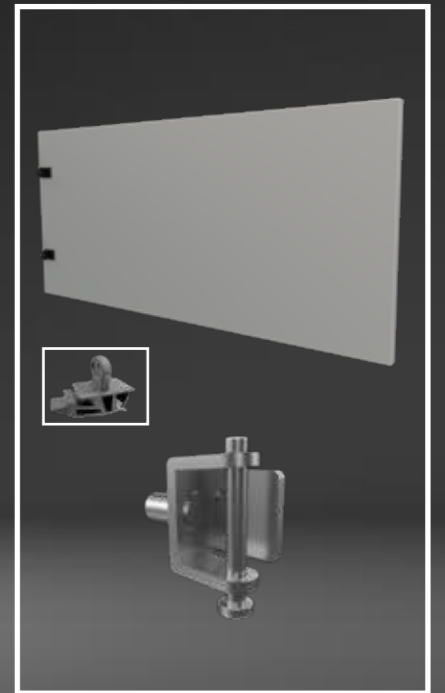
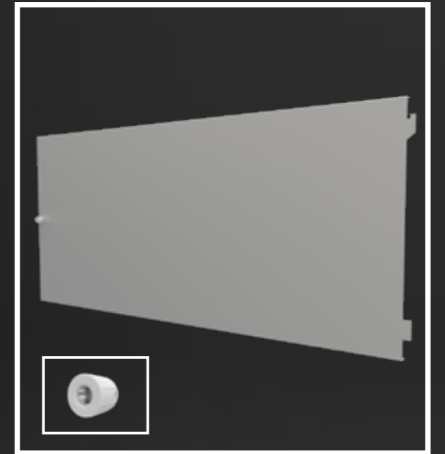
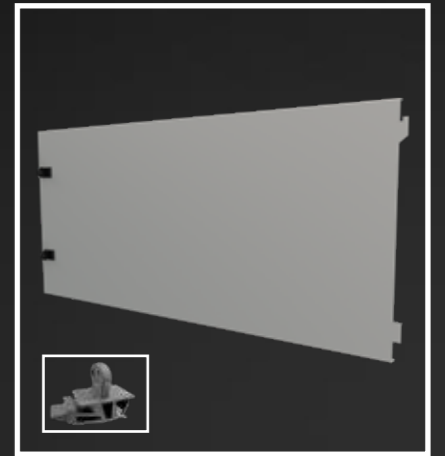
INSIDE ASSEMBLING COVERS



AUTOMATIC FUSE SET
MCB Set

Product Code	Board Width (mm)	Cover Height (mm)	Cover Usage Area (Width) (mm)
XPQ416JV	400	160	280
XPQ516JV	500		380
XPQ616JV	600		480
XPQ716JV	700		580
XPQ816JV	800		680
XPQ424JV	400	240	280
XPQ524JV	500		380
XPQ624JV	600		480
XPQ724JV	700		580
XPQ824JV	800		680

INSIDE ASSEMBLING COVERS



EMPTY COVER

Product Code	Board Width (mm)	Cover Height (mm)	Cover Usage Area (Width) (mm)
XCQ416JV	400	160	280
XCQ516JV	500		380
XCQ616JV	600		480
XCQ716JV	700		580
XCQ816JV	800		680
XCQ424JV	400	240	280
XCQ524JV	500		380
XCQ624JV	600		480
XCQ724JV	700		580
XCQ824JV	800		680
XCQ432JV	400	320	280
XCQ532JV	500		380
XCQ632JV	600		480
XCQ732JV	700	400	580
XCQ832JV	800		680
XCQ440JV	400		400
XCQ540JV	500	380	
XCQ640JV	600	480	
XCQ740JV	700	480	580
XCQ840JV	800		680
XCQ448JV	400		480
XCQ548JV	500	380	
XCQ648JV	600	480	
XCQ748JV	700	560	580
XCQ848JV	800		680
XCQ456JV	400		560
XCQ556JV	500	380	
XCQ656JV	600	480	
XCQ756JV	700	640	580
XCQ856JV	800		680
XCQ464JV	400		640
XCQ564JV	500	380	
XCQ664JV	600	480	
XCQ764JV	700	680	580
XCQ864JV	800		680



STAINLESS PANEL BOARDS

TT Series Stainless Board With Dead Front.....	143
TT Series Stainless Board With Mounting Plate.....	146
K-Series Outdoor Type Stainless Board With Dead Front.....	149
K-Series Outdoor Type Stainless Board With Mounting Plate.....	152
Inside Assembling Sets and Parts.....	155
Inside Assembling Curtains.....	167
S-Wall Series Surface Mounted Stainless Board With Mounting Plate.....	169
S-Wall Series Surface Mounted Stainless Board With Dead Front.....	172
S-Wall Series Outdoor Type Stainless Board With Dead Front.....	173
S-Wall Series Outdoor Type Stainless Board With Mounting Plate.....	175
Inside Assembling Sets and Parts.....	177
Inside Assembling Curtains.....	179

TT SERIES STAINLESS BOARD WITH DEAD FRONT



Inside Assembling Equipment Pages 155-168

AISI 304 or AISI 316L Stainless Steel



A (mm): Width
 B (mm): Height
 C (mm): Inside Usage Height
 D (mm): Depth

Product Code	A (mm)	B (mm)	C (mm)	D (mm)
2QQ4184	400	1820	1600	400
2QQ5184	500			
2QQ6184	600			
2QQ7184	700			
2QQ8184	800			
2QQ9184	900			
2QQ4185	400	1820	1600	500
2QQ5185	500			
2QQ6185	600			
2QQ7185	700			
2QQ8185	800			
2QQ9185	900			
2QQ4186	400	1820	1600	600
2QQ5186	500			
2QQ6186	600			
2QQ7186	700			
2QQ8186	800			
2QQ9186	900			
2QQ4186	400	1820	1600	700
2QQ5187	500			
2QQ6187	600			
2QQ7187	700			
2QQ8187	800			
2QQ9187	900			
2QQ4188	400	1820	1600	800
2QQ5188	500			
2QQ6188	600			
2QQ7188	700			
2QQ8188	800			
2QQ9188	900			

TT SERIES STAINLESS BOARD WITH DEAD FRONT

Product Code	A (mm)	B (mm)	C (mm)	D (mm)
2QQ4204	400	2060	1840	400
2QQ5204	500			
2QQ6204	600			
2QQ7204	700			
2QQ8204	800			
2QQ9204	900			
2QQ4205	400	2060	1840	500
2QQ5205	500			
2QQ6205	600			
2QQ7205	700			
2QQ8205	800			
2QQ9205	900			
2QQ4206	400	2060	1840	600
2QQ5206	500			
2QQ6206	600			
2QQ7206	700			
2QQ8206	800			
2QQ9206	900			
2QQ4206	400	2060	1840	700
2QQ5207	500			
2QQ6207	600			
2QQ7207	700			
2QQ8207	800			
2QQ9207	900			
2QQ4208	400	2060	1840	800
2QQ5208	500			
2QQ6208	600			
2QQ7208	700			
2QQ8208	800			
2QQ9208	900			
2QQ0208	1000			
2QQ1208	1100			
2QQ2208	1200			
2QQ4208	400	2060	1840	900
2QQ5209	500			
2QQ6209	600			
2QQ7209	700			
2QQ8209	800			
2QQ9209	900			
QQ0209	1000			
2QQ1209	1100			
2QQ2209	1200			
2QQ4201	400	2060	1840	1000
2QQ5201	500			
2QQ6201	600			
2QQ7201	700			
2QQ8201	800			
2QQ9201	900			
2QQ0201	1000			
2QQ1201	1100			
2QQ2201	1200			

Product Code	A (mm)	B (mm)	C (mm)	D (mm)
2QQ4214	400	2140	1920	400
2QQ5214	500			
2QQ6214	600			
2QQ7214	700			
2QQ8214	800			
2QQ9214	900			
2QQ4215	400	2140	1920	500
2QQ5215	500			
2QQ6215	600			
2QQ7215	700			
2QQ8215	800			
2QQ9215	900			
2QQ4216	400	2140	1920	600
2QQ5216	500			
2QQ6216	600			
2QQ7216	700			
2QQ8216	800			
2QQ9216	900			
2QQ4216	400	2140	1920	700
2QQ5217	500			
2QQ6217	600			
2QQ7217	700			
2QQ8217	800			
2QQ9217	900			
2QQ4218	400	2140	1920	800
2QQ5218	500			
2QQ6218	600			
2QQ7218	700			
2QQ8218	800			
2QQ9218	900			
2QQ0218	1000			
2QQ1218	1100			
2QQ2218	1200			
2QQ4218	400	2140	1920	900
2QQ5219	500			
2QQ6219	600			
2QQ7219	700			
2QQ8219	800			
2QQ9219	900			
2QQ0219	1000			
2QQ1219	1100			
2QQ2219	1200			
2QQ4211	400	2140	1920	1000
2QQ5211	500			
2QQ6211	600			
2QQ7211	700			
2QQ8211	800			
2QQ9211	900			
2QQ0211	1000			
2QQ1211	1100			
2QQ2211	1200			

TT SERIES STAINLESS BOARD WITH DEAD FRONT

Product Code	A (mm)	B (mm)	C (mm)	D (mm)
2QQ4224	400	2220	2000	400
2QQ5224	500			
2QQ6224	600			
2QQ7224	700			
2QQ8224	800			
2QQ9224	900			
2QQ4225	400	2220	2000	500
2QQ5225	500			
2QQ6225	600			
2QQ7225	700			
2QQ8225	800			
2QQ9225	900			
2QQ4226	400	2220	2000	600
2QQ5226	500			
2QQ6226	600			
2QQ7226	700			
2QQ8226	800			
2QQ9226	900			
2QQ4226	400	2220	2000	700
2QQ5227	500			
2QQ6227	600			
2QQ7227	700			
2QQ8227	800			
2QQ9227	900			
2QQ4228	400	2220	2000	800
2QQ5228	500			
2QQ6228	600			
2QQ7228	700			
2QQ8228	800			
2QQ9228	900			
2QQ0228	1000			
2QQ1228	1100			
2QQ2228	1200			
2QQ4228	400	2220	2000	900
2QQ5229	500			
2QQ6229	600			
2QQ7229	700			
2QQ8229	800			
2QQ9229	900			
2QQ0229	1000			
2QQ1229	1100			
2QQ2229	1200			
2QQ4221	400	2220	2000	1000
2QQ5221	500			
2QQ6221	600			
2QQ7221	700			
2QQ8221	800			
2QQ9221	900			
2QQ0221	1000			
2QQ1221	1100			
2QQ2221	1200			

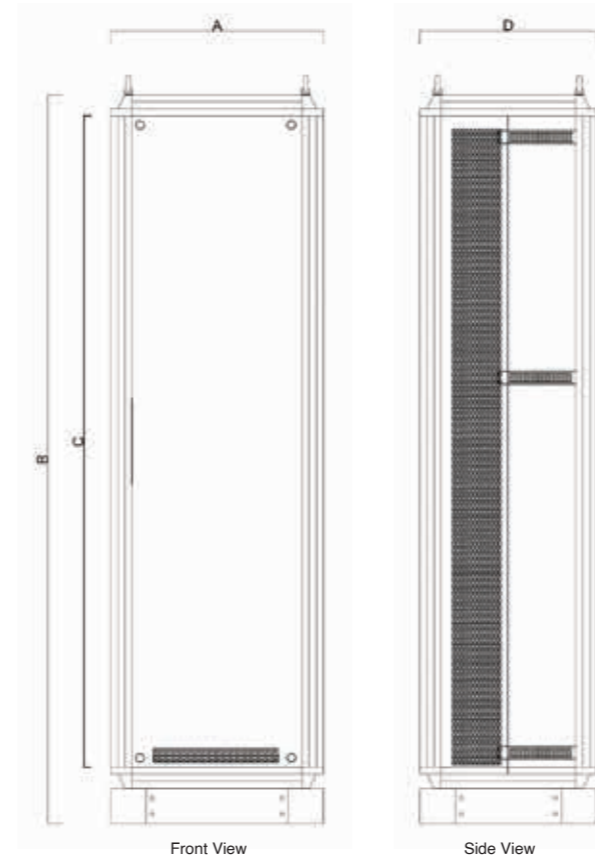
Product Code	A (mm)	B (mm)	C (mm)	D (mm)
2QQ4234	400	2300	2080	400
2QQ5234	500			
2QQ6234	600			
2QQ7234	700			
2QQ8234	800			
2QQ9234	900			
2QQ4235	400	2300	2080	500
2QQ5235	500			
2QQ6235	600			
2QQ7235	700			
2QQ8235	800			
2QQ9235	900			
2QQ4236	400	2300	2080	600
2QQ5236	500			
2QQ6236	600			
2QQ7236	700			
2QQ8236	800			
2QQ9236	900			
2QQ4236	400	2300	2080	700
2QQ5237	500			
2QQ6237	600			
2QQ7237	700			
2QQ8237	800			
2QQ9237	900			
2QQ4238	400	2300	2080	800
2QQ5238	500			
2QQ6238	600			
2QQ7238	700			
2QQ8238	800			
2QQ9238	900			
2QQ0238	1000			
2QQ1238	1100			
2QQ2238	1200			
2QQ4238	400	2300	2080	900
2QQ5239	500			
2QQ6239	600			
2QQ7239	700			
2QQ8239	800			
2QQ9239	900			
2QQ0239	1000			
2QQ1239	1100			
2QQ2239	1200			
2QQ4231	400	2300	2080	1000
2QQ5231	500			
2QQ6231	600			
2QQ7231	700			
2QQ8231	800			
2QQ9231	900			
2QQ9231	900			
2QQ9231	900			
2QQ9231	900			

TT SERIES STAINLESS BOARD WITH MOUNTING PLATE



Inside Assembling Equipment Pages 155-168

AISI 304 or AISI 316L Stainless Steel



A (mm): Width
 B (mm): Height
 C (mm): Inside Usage Height
 D (mm): Depth

Product Code	A (mm)	B (mm)	C (mm)	D (mm)
2UQ4184	400	1820	1600	400
2UQ5184	500			
2UQ6184	600			
2UQ7184	700			
2UQ8184	800			
2UQ9184	900			
2UQ4185	400	1820	1600	500
2UQ5185	500			
2UQ6185	600			
2UQ7185	700			
2UQ8185	800			
2UQ9185	900			
2UQ4186	400	1820	1600	600
2UQ5186	500			
2UQ6186	600			
2UQ7186	700			
2UQ8186	800			
2UQ9186	900			
2UQ4186	400	1820	1600	700
2UQ5187	500			
2UQ6187	600			
2UQ7187	700			
2UQ8187	800			
2UQ9187	900			
2UQ4188	400	1820	1600	800
2UQ5188	500			
2UQ6188	600			
2UQ7188	700			
2UQ8188	800			
2UQ9188	900			

TT SERIES STAINLESS BOARD WITH MOUNTING PLATE

Product Code	A (mm)	B (mm)	C (mm)	D (mm)
2UQ4204	400	2060	1840	400
2UQ5204	500			
2UQ6204	600			
2UQ7204	700			
2UQ8204	800			
2UQ9204	900			
2UQ4205	400			
2UQ5205	500	2060	1840	500
UQ6205	600			
2UQ7205	700			
2UQ8205	800			
2UQ9205	900			
2UQ4206	400			
2UQ5206	500			
2UQ6206	600			
2UQ7206	700			
2UQ8206	800			
2UQ9206	900			
2UQ4206	400			
2UQ5207	500	2060	1840	700
2UQ6207	600			
2UQ7207	700			
2UQ8207	800			
2UQ9207	900			
2UQ4208	400			
2UQ5208	500			
2UQ6208	600			
2UQ7208	700			
2UQ8208	800			
2UQ9208	900			
2UQ0208	1000			
2UQ1208	1100			
2UQ2208	1200			
2UQ4208	400			
2UQ5209	500	2060	1840	900
2UQ6209	600			
2UQ7209	700			
2UQ8209	800			
2UQ9209	900			
2UQ0209	1000			
2UQ1209	1100			
2UQ2209	1200			
2UQ4201	400			
2UQ5201	500			
2UQ6201	600			
2UQ7201	700			
2UQ8201	800			
2UQ9201	900			
2UQ0201	1000			
2UQ1201	1100			
2UQ2201	1200			

Product Code	A (mm)	B (mm)	C (mm)	D (mm)
2UQ4214	400	2140	1920	400
2UQ5214	500			
2UQ6214	600			
2UQ7214	700			
2UQ8214	800			
2UQ9214	900			
2UQ4215	400			
2UQ5215	500	2140	1920	500
2UQ6215	600			
2UQ7215	700			
2UQ8215	800			
2UQ9215	900			
2UQ4216	400			
2UQ5216	500			
2UQ6216	600			
2UQ7216	700			
2UQ8216	800			
2UQ9216	900			
2UQ4216	400			
2UQ5217	500	2140	1920	700
2UQ6217	600			
2UQ7217	700			
2UQ8217	800			
2UQ9217	900			
2UQ4218	400			
2UQ5218	500			
2UQ6218	600			
2UQ7218	700			
2UQ8218	800			
2UQ9218	900			
2UQ0218	1000			
2UQ1218	1100			
2UQ2218	1200			
2UQ4218	400			
2UQ5219	500	2140	1920	900
2UQ6219	600			
2UQ7219	700			
2UQ8219	800			
2UQ9219	900			
2UQ0219	1000			
2UQ1219	1100			
2UQ2219	1200			
2UQ4211	400			
2UQ5211	500			
2UQ6211	600			
2UQ7211	700			
2UQ8211	800			
2UQ9211	900			
2UQ0211	1000			
2UQ1211	1100			
2UQ2211	1200			

TT SERIES STAINLESS BOARD WITH MOUNTING PLATE

Product Code	A (mm)	B (mm)	C (mm)	D (mm)
2UQ4224	400	2220	2000	400
2UQ5224	500			
2UQ6224	600			
2UQ7224	700			
2UQ8224	800			
2UQ9224	900			
2UQ4225	400			
2UQ5225	500	2220	2000	500
2UQ6225	600			
2UQ7225	700			
2UQ8225	800			
2UQ9225	900			
2UQ4226	400			
2UQ5226	500			
2UQ6226	600			
2UQ7226	700			
2UQ8226	800			
2UQ9226	900			
2UQ4226	400			
2UQ5227	500	2220	2000	700
2UQ6227	600			
2UQ7227	700			
2UQ8227	800			
2UQ9227	900			
2UQ4228	400			
2UQ5228	500			
2UQ6228	600			
2UQ7228	700			
2UQ8228	800			
2UQ9228	900			
2UQ0228	1000			
2UQ1228	1100			
2UQ2228	1200			
2UQ4228	400			
2UQ5229	500	2220	2000	900
2UQ6229	600			
2UQ7229	700			
2UQ8229	800			
2UQ9229	900			
2UQ0229	1000			
2UQ1229	1100			
2UQ2229	1200			
2UQ4221	400			
2UQ5221	500			
2UQ6221	600			
2UQ7221	700			
2UQ8221	800			
2UQ9221	900			
2UQ0221	1000			
2UQ1221	1100			
2UQ2221	1200			

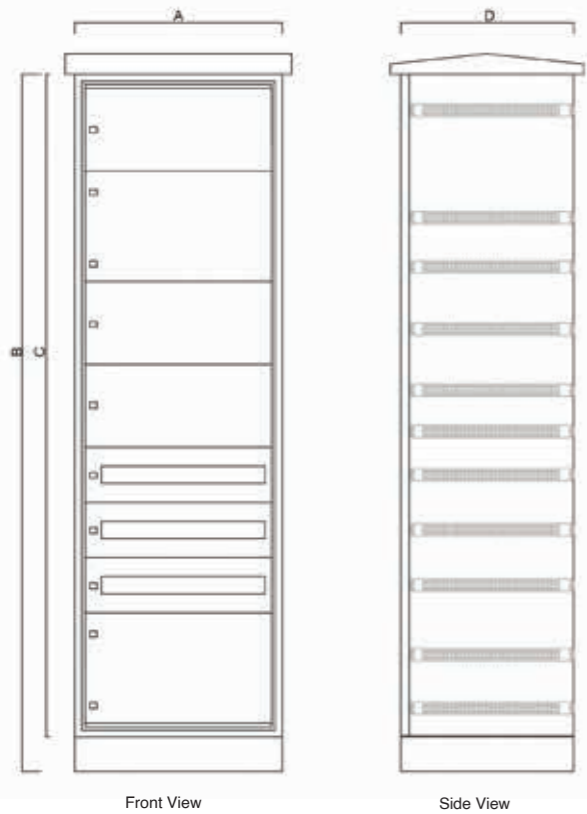
Product Code	A (mm)	B (mm)	C (mm)	D (mm)
2UQ4234	400	2300	2080	400
2UQ5234	500			
2UQ6234	600			
2UQ7234	700			
2UQ8234	800			
2UQ9234	900			
2UQ4235	400			
2UQ5235	500	2300	2080	500
2UQ6235	600			
2UQ7235	700			
2UQ8235	800			
2UQ9235	900			
2UQ4236	400			
2UQ5236	500			
2UQ6236	600			
2UQ7236	700			
2UQ8236	800			
2UQ9236	900			
2UQ4236	400			
2UQ5237	500	2300	2080	700
2UQ6237	600			
2UQ7237	700			
2UQ8237	800			
2UQ9237	900			
2UQ4238	400			
2UQ5238	500			
2UQ6238	600			
2UQ7238	700			
2UQ8238	800			
2UQ9238	900			
2UQ0238	1000			
2UQ1238	1100			
2UQ2238	1200			
2UQ4238	400			
2UQ5239	500	2300	2080	900
2UQ6239	600			
2UQ7239	700			
2UQ8239	800			
2UQ9239	900			
2UQ0239	1000			
2UQ1239	1100			
2UQ2239	1200			
2UQ4231	400			
2UQ5231	500			
2UQ6231	600			
2UQ7231	700			
2UQ8231	800			
2UQ9231	900			
2UQ0231	1000			
2UQ1231	1100			
2UQ2231	1200			

K-SERIES OUTDOOR TYPE STAINLESS BOARDS WITH DEAD FRONT



Inside Assembling Equipment Pages 155-168

AISI 304 or AISI 316L Stainless Steel



A (mm): Width
 B (mm): Height
 C (mm): Inside Usage Height
 D (mm): Depth

Product Code	A (mm)	B (mm)	C (mm)	D (mm)
6QQ4184	400	1820	1600	400
6QQ5184	500			
6QQ6184	600			
6QQ7184	700			
6QQ8184	800			
6QQ9184	900	1820	1600	500
6QQ4185	400			
6QQ5185	500			
6QQ6185	600			
6QQ7185	700			
6QQ8185	800			
6QQ9185	900	1820	1600	600
6QQ4186	400			
6QQ5186	500			
6QQ6186	600			
6QQ7186	700			
6QQ8186	800			
6QQ9186	900	1820	1600	700
6QQ4187	400			
6QQ5187	500			
6QQ6187	600			
6QQ7187	700			
6QQ8187	800			
6QQ9187	900	1820	1600	800
6QQ4188	400			
6QQ5188	500			
6QQ6188	600			
6QQ7188	700			
6QQ8188	800			
6QQ9188	900			

K-SERIES OUTDOOR TYPE STAINLESS BOARDS WITH DEAD FRONT

Product Code	A (mm)	B (mm)	C (mm)	D (mm)
6QQ4204	400	2060	1840	400
6QQ5204	500			
6QQ6204	600			
6QQ7204	700			
6QQ8204	800			
6QQ9204	900			
6QQ4205	400	2060	1840	500
6QQ5205	500			
6QQ6205	600			
6QQ7205	700			
6QQ8205	800			
6QQ9205	900			
6QQ4206	400	2060	1840	600
6QQ5206	500			
6QQ6206	600			
6QQ7206	700			
6QQ8206	800			
6QQ9206	900			
6QQ4207	400	2060	1840	700
6QQ5207	500			
6QQ6207	600			
6QQ7207	700			
6QQ8207	800			
6QQ9207	900			
6QQ4208	400	2060	1840	800
6QQ5208	500			
6QQ6208	600			
6QQ7208	700			
6QQ8208	800			
6QQ9208	900			
6QQ4209	400	2060	1840	900
6QQ5209	500			
6QQ6209	600			
6QQ7209	700			
6QQ8209	800			
6QQ9209	900			
6QQ4210	400	2060	1840	1000
6QQ5210	500			
6QQ6210	600			
6QQ7210	700			
6QQ8210	800			
6QQ9210	900			

Product Code	A (mm)	B (mm)	C (mm)	D (mm)
6QQ4214	400	2140	1920	400
6QQ5214	500			
6QQ6214	600			
6QQ7214	700			
6QQ8214	800			
6QQ9214	900			
6QQ4215	400	2140	1920	500
6QQ5215	500			
6QQ6215	600			
6QQ7215	700			
6QQ8215	800			
6QQ9215	900			
6QQ4216	400	2140	1920	600
6QQ5216	500			
6QQ6216	600			
6QQ7216	700			
6QQ8216	800			
6QQ9216	900			
6QQ4217	400	2140	1920	700
6QQ5217	500			
6QQ6217	600			
6QQ7217	700			
6QQ8217	800			
6QQ9217	900			
6QQ4218	400	2140	1920	800
6QQ5218	500			
6QQ6218	600			
6QQ7218	700			
6QQ8218	800			
6QQ9218	900			
6QQ4219	400	2140	1920	900
6QQ5219	500			
6QQ6219	600			
6QQ7219	700			
6QQ8219	800			
6QQ9219	900			
6QQ4221	400	2140	1920	1000
6QQ5221	500			
6QQ6221	600			
6QQ7221	700			
6QQ8221	800			
6QQ9221	900			

K-SERIES OUTDOOR TYPE STAINLESS BOARDS WITH DEAD FRONT

Product Code	A (mm)	B (mm)	C (mm)	D (mm)
6QQ4204	400	2060	1840	400
6QQ5204	500			
6QQ6204	600			
6QQ7204	700			
6QQ8204	800			
6QQ9204	900			
6QQ4205	400	2060	1840	500
6QQ5205	500			
6QQ6205	600			
6QQ7205	700			
6QQ8205	800			
6QQ9205	900			
6QQ4206	400	2060	1840	600
6QQ5206	500			
6QQ6206	600			
6QQ7206	700			
6QQ8206	800			
6QQ9206	900			
6QQ4206	400	2060	1840	700
6QQ5207	500			
6QQ6207	600			
6QQ7207	700			
6QQ8207	800			
6QQ9207	900			
6QQ4208	400	2060	1840	800
6QQ5208	500			
6QQ6208	600			
6QQ7208	700			
6QQ8208	800			
6QQ9208	900			
6QQ4208	400	2060	1840	900
6QQ5209	500			
6QQ6209	600			
6QQ7209	700			
6QQ8209	800			
6QQ9209	900			
6QQ4201	400	2060	1840	1000
6QQ5201	500			
6QQ6201	600			
6QQ7201	700			
6QQ8201	800			
6QQ9201	900			

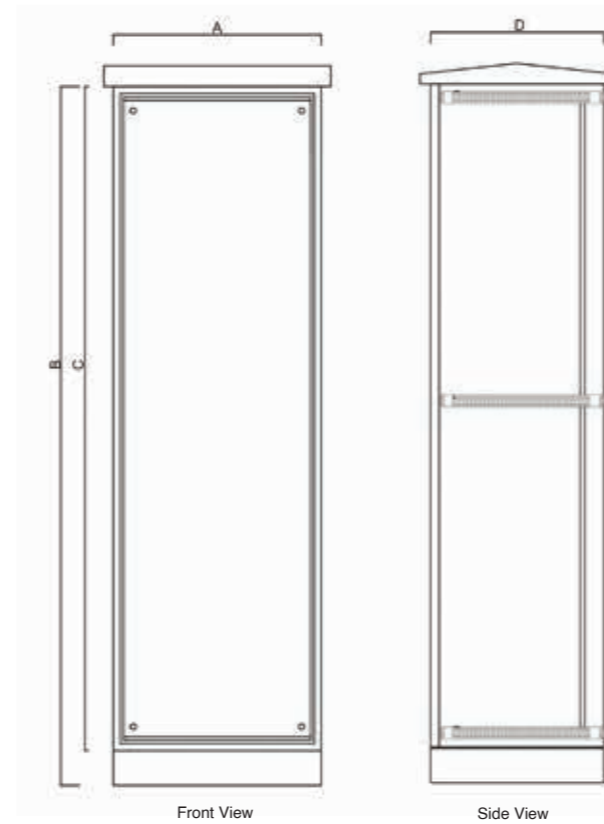
Product Code	A (mm)	B (mm)	C (mm)	D (mm)
6QQ4214	400	2140	1920	400
6QQ5214	500			
6QQ6214	600			
6QQ7214	700			
6QQ8214	800			
6QQ9214	900			
6QQ4215	400	2140	1920	500
6QQ5215	500			
6QQ6215	600			
6QQ7215	700			
6QQ8215	800			
6QQ9215	900			
6QQ4216	400	2140	1920	600
6QQ5216	500			
6QQ6216	600			
6QQ7216	700			
6QQ8216	800			
6QQ9216	900			
6QQ4216	400	2140	1920	700
6QQ5217	500			
6QQ6217	600			
6QQ7217	700			
6QQ8217	800			
6QQ9217	900			
6QQ4218	400	2140	1920	800
6QQ5218	500			
6QQ6218	600			
6QQ7218	700			
6QQ8218	800			
6QQ9218	900			
6QQ4218	400	2140	1920	900
6QQ5219	500			
6QQ6219	600			
6QQ7219	700			
6QQ8219	800			
6QQ9219	900			
6QQ4211	400	2140	1920	1000
6QQ5211	500			
6QQ6211	600			
6QQ7211	700			
6QQ8211	800			
6QQ9211	900			

K-SERIES OUTDOOR TYPE STAINLESS BOARDS WITH MOUNTING PLATE



Inside Assembling Equipment Pages 155-168

AISI 304 or AISI 316L Stainless Steel



A (mm): Width
 B (mm): Height
 C (mm): Inside Usage Height
 D (mm): Depth

Product Code	A (mm)	B (mm)	C (mm)	D (mm)
6UQ4184	400	1820	1600	400
6UQ5184	500			
6UQ6184	600			
6UQ7184	700			
6UQ8184	800			
6UQ9184	900			
6UQ4185	400	1820	1600	500
6UQ5185	500			
6UQ6185	600			
6UQ7185	700			
6UQ8185	800			
6UQ9185	900			
6UQ4186	400	1820	1600	600
6UQ5186	500			
6UQ6186	600			
6UQ7186	700			
6UQ8186	800			
6UQ9186	900			
6UQ4186	400	1820	1600	700
6UQ5187	500			
6UQ6187	600			
6UQ7187	700			
6UQ8187	800			
6UQ9187	900			
6UQ4188	400	1820	1600	800
6UQ5188	500			
6UQ6188	600			
6UQ7188	700			
6UQ8188	800			
6UQ9188	900			

K-SERIES OUTDOOR TYPE STAINLESS BOARDS WITH MOUNTING PLATE

Product Code	A (mm)	B (mm)	C (mm)	D (mm)
6UQ4204	400	2060	1840	400
6UQ5204	500			
6UQ6204	600			
6UQ7204	700			
6UQ8204	800			
6UQ9204	900			
6UQ4205	400	2060	1840	500
6UQ5205	500			
6UQ6205	600			
6UQ7205	700			
6UQ8205	800			
6UQ9205	900			
6UQ4206	400	2060	1840	600
6UQ5206	500			
6UQ6206	600			
6UQ7206	700			
6UQ8206	800			
6UQ9206	900			
6UQ4206	400	2060	1840	700
6UQ5207	500			
6UQ6207	600			
6UQ7207	700			
6UQ8207	800			
6UQ9207	900			
6UQ4208	400	2060	1840	800
6UQ5208	500			
6UQ6208	600			
6UQ7208	700			
6UQ8208	800			
6UQ9208	900			
6UQ4208	400	2060	1840	900
6UQ5209	500			
6UQ6209	600			
6UQ7209	700			
6UQ8209	800			
6UQ9209	900			
6UQ4201	400	2060	1840	1000
6UQ5201	500			
6UQ6201	600			
6UQ7201	700			
6UQ8201	800			
6UQ9201	900			

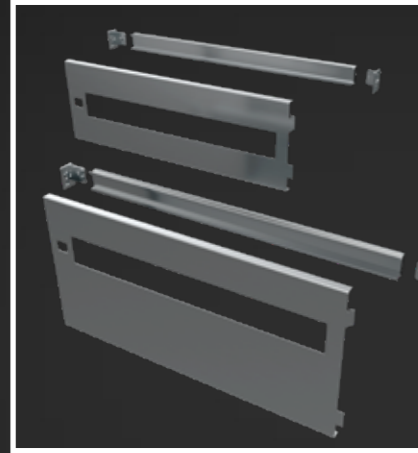
Product Code	A (mm)	B (mm)	C (mm)	D (mm)
6UQ4214	400	2140	1920	400
6UQ5214	500			
6UQ6214	600			
6UQ7214	700			
6UQ8214	800			
6UQ9214	900			
6UQ4215	400	2140	1920	500
6UQ5215	500			
6UQ6215	600			
6UQ7215	700			
6UQ8215	800			
6UQ9215	900			
6UQ4216	400	2140	1920	600
6UQ5216	500			
6UQ6216	600			
6UQ7216	700			
6UQ8216	800			
6UQ9216	900			
6UQ4216	400	2140	1920	700
6UQ5217	500			
6UQ6217	600			
6UQ7217	700			
6UQ8217	800			
6UQ9217	900			
6UQ4218	400	2140	1920	800
6UQ5218	500			
6UQ6218	600			
6UQ7218	700			
6UQ8218	800			
6UQ9218	900			
6UQ4218	400	2140	1920	900
6UQ5219	500			
6UQ6219	600			
6UQ7219	700			
6UQ8219	800			
6UQ9219	900			
6UQ4211	400	2140	1920	1000
6UQ5211	500			
6UQ6211	600			
6UQ7211	700			
6UQ8211	800			
6UQ9211	900			

K-SERIES OUTDOOR TYPE STAINLESS BOARDS WITH MOUNTING PLATE

Product Code	A (mm)	B (mm)	C (mm)	D (mm)
6UQ4224	400	2220	2000	400
6TP5224	500			
6UQ6224	600			
6UQ7224	700			
6UQ8224	800			
6UQ9224	900			
6UQ4225	400	2220	2000	500
6UQ5225	500			
6UQ6225	600			
6UQ7225	700			
6UQ8225	800			
6UQ9225	900			
6UQ4226	400	2220	2000	600
6UQ5226	500			
6UQ6226	600			
6UQ7226	700			
6UQ8226	800			
6UQ9226	900			
6UQ4226	400	2220	2000	700
6UQ5227	500			
6UQ6227	600			
6UQ7227	700			
6UQ8227	800			
6UQ9227	900			
6UQ4228	400	2220	2000	800
6UQ5228	500			
6UQ6228	600			
6UQ7228	700			
6UQ8228	800			
6UQ9228	900			
6UQ4228	400	2220	2000	900
6UQ5229	500			
6UQ6229	600			
6UQ7229	700			
6UQ8229	800			
6UQ9229	900			
6UQ4221	400	2220	2000	1000
6UQ5221	500			
6UQ6221	600			
6UQ7221	700			
6UQ8221	800			
6UQ9221	900			

Product Code	A (mm)	B (mm)	C (mm)	D (mm)
6UQ4234	400	2300	2080	400
6UQ5234	500			
6UQ6234	600			
6UQ7234	700			
6UQ8234	800			
6UQ9234	900			
6UQ4235	400	2300	2080	500
6UQ5235	500			
6UQ6235	600			
6UQ7235	700			
6UQ8235	800			
6UQ9235	900			
6UQ4236	400	2300	2080	600
6UQ5236	500			
6UQ6236	600			
6UQ7236	700			
6UQ8236	800			
6UQ9236	900			
6UQ4236	400	2300	2080	700
6UQ5237	500			
6UQ6237	600			
6UQ7237	700			
6UQ8237	800			
6UQ9237	900			
6UQ4238	400	2300	2080	800
6UQ5238	500			
6UQ6238	600			
6UQ7238	700			
6UQ8238	800			
6UQ9238	900			
6UQ4238	400	2300	2080	900
6UQ5239	500			
6UQ6239	600			
6UQ7239	700			
6UQ8239	800			
6UQ9239	900			
6UQ4231	400	2300	2080	1000
6UQ5231	500			
6UQ6231	600			
6UQ7231	700			
6UQ8231	800			
6UQ9231	900			

STAINLESS INSIDE ASSEMBLING SETS

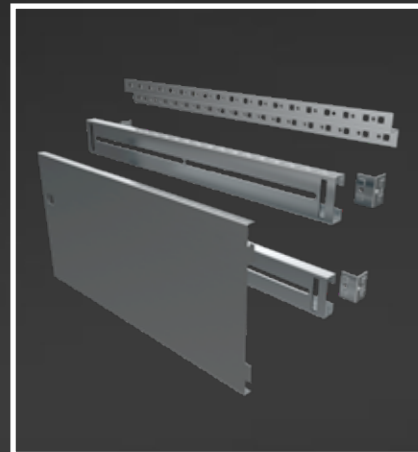


AUTOMATIC FUSE SET MCB Set			Cover Usage Area (Width)	
Product Code	Width (mm)	Cover Height (mm)	TT Series Stainless (mm)	K-Series Outdoor Stainless (mm)
QP416Q*	400	160	220	220
QP516Q*	500		320	320
QP616Q*	600		420	420
QP716Q*	700		520	520
QP816Q*	800		620	620
QP916Q*	900		720	720
QP424Q*	400	240	220	220
QP524Q*	500		320	320
QP624Q*	600		420	420
QP724Q*	700		520	520
QP824Q*	800		620	620
QP924Q*	900		720	720

• Replace the reference star in the product code with **T** for TT series and **K** for K series. Ex: PO416**FT** / PO416**PK**

COMPACT SWITCH SET MCCB Set			Cover Usage Area (Width)	
Product Code	Width (mm)	Cover Height (mm)	TT Series Stainless (mm)	K-Series Outdoor Stainless (mm)
QU424Q*	400	240	220	220
QU524Q*	500		320	320
QU624Q*	600		420	420
QU724Q*	700		520	520
QU824Q*	800		620	620
QU924Q*	900		720	720
QU432Q*	400	320	220	220
QU532Q*	500		320	320
QU632Q*	600		420	420
QU732Q*	700		520	520
QU832Q*	800		620	620
QU932Q*	900		720	720
QU440Q*	400	400	220	220
QU540Q*	500		320	320
QU640Q*	600		420	420
QU740Q*	700		520	520
QU840Q*	800		620	620
QU940Q*	900		720	720
QU448Q*	400	480	220	220
QU548Q*	500		320	320
QU648Q*	600		420	420
QU748Q*	700		520	520
QU848Q*	800		620	620
QU948Q*	900		720	720

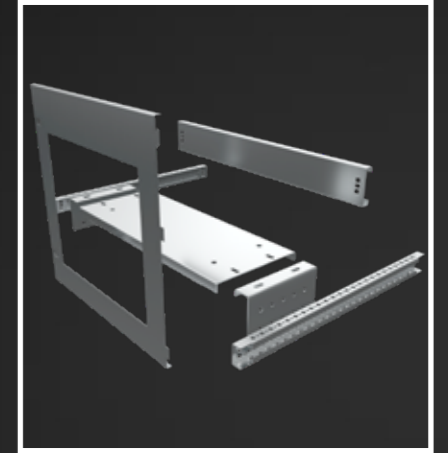
• Replace the reference star in the product code with **T** for TT series and **K** for K series. Ex: PT424**PT** / PT424**PK**



STAINLESS INSIDE ASSEMBLING SETS

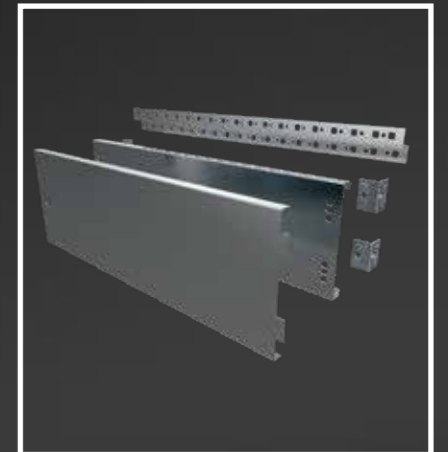
OPEN TYPE POWER SWITCH SET ACB Set			Cover Usage Area (Width)	
Product Code	Width (mm)	Cover Height (mm)	TT Series Stainless (mm)	K-Series Outdoor Stainless (mm)
QB448Q*	400	480	220	220
QB548Q*	500		320	320
QB648Q*	600		420	420
QB748Q*	700		520	520
QB848Q*	800		620	620
QB948Q*	900		720	720
QB456Q*	400	560	220	220
QB556Q*	500		320	320
QB656Q*	600		420	420
QB756Q*	700		520	520
QB856Q*	800		620	620
QB956Q*	900		720	720
QB464Q*	400	640	220	220
QB564Q*	500		320	320
QB664Q*	600		420	420
QB764Q*	700		520	520
QB864Q*	800		620	620
QB964Q*	900		720	720

• Replace the reference star in the product code with **T** for T series and **K** for K series. Ex: PA448**PT** / PA448**PK**

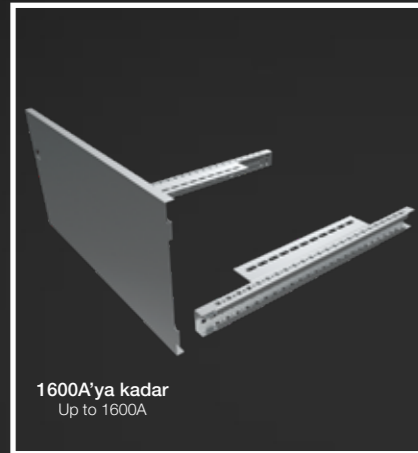


CONTACTOR SET			Cover Usage Area (Width)	
Product Code	Width (mm)	Cover Height (mm)	TT Series Stainless (mm)	K-Series Outdoor Stainless (mm)
QD424Q*	400	240	265	265
QD524Q*	500		365	365
QD624Q*	600		465	465
QD724Q*	700		565	565
QD824Q*	800		665	665
QD924Q*	900		765	765
QD432Q*	400	320	265	265
QD532Q*	500		365	365
QD632Q*	600		465	465
QD732Q*	700		565	565
QD832Q*	800		665	665
QD932Q*	900		765	765
QD440Q*	400	400	265	265
QD540Q*	500		365	365
QD640Q*	600		465	465
QD740Q*	700		565	565
QD840Q*	800		665	665
QD940Q*	900		765	765

• Replace the reference star in the product code with **T** for TT series and **K** for K series. Ex: PC424**PT** / PC424**PK**

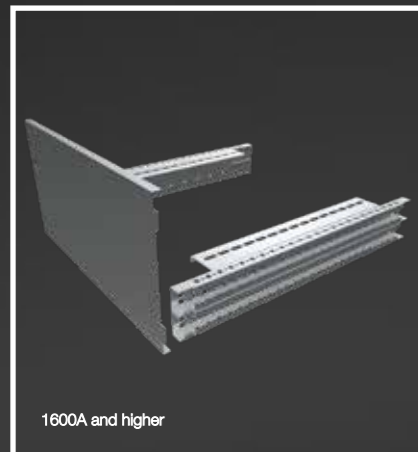


STAINLESS INSIDE ASSEMBLING SETS



Product Code	Width (mm)	Cover Height (mm)	Cover Usage Area (Width)	
			TT Series Stainless (mm)	K-Series Outdoor Stainless (mm)
QC424Q*	400	240	220	220
QC524Q*	500		320	320
QC624Q*	600		420	420
QC724Q*	700		520	520
QC824Q*	800		620	620
QC924Q*	900		720	720
QC432Q*	400	320	220	220
QC532Q*	500		320	320
QC632Q*	600		420	420
QC732Q*	700		520	520
QC832Q*	800		620	620
QC932Q*	900		720	720

• Replace the reference star in the product code with **T** for TT series and **K** for K series. Ex: PB424PT / PB424PK



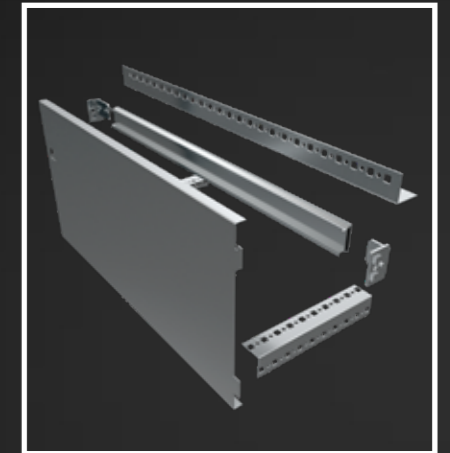
Product Code	Width (mm)	Cover Height (mm)	Cover Usage Area (Width)	
			TT Series Stainless (mm)	K-Series Outdoor Stainless (mm)
QE424Q*	400	240	220	220
QE524Q*	500		320	320
QE624Q*	600		420	420
QE724Q*	700		520	520
QE824Q*	800		620	620
QE924Q*	900		720	720
QE432Q*	400	320	220	220
QE532Q*	500		320	320
QE632Q*	600		420	420
QE732Q*	700		520	520
QE832Q*	800		620	620
QE932Q*	900		720	720

• Replace the reference star in the product code with **T** for TT series and **K** for K series. Ex: PD424PT / PD424PK

STAINLESS INSIDE ASSEMBLING SETS

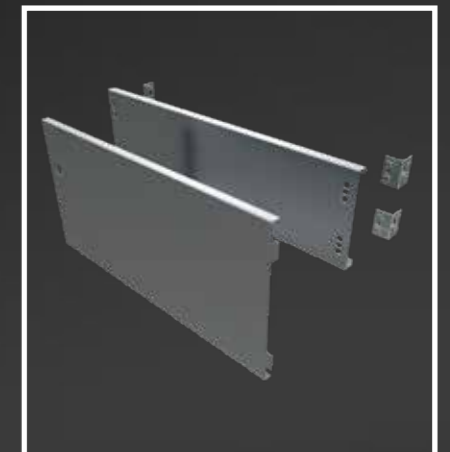
Product Code	Width (mm)	Cover Height (mm)	Cover Usage Area (Width)	
			TT Series Stainless (mm)	K-Series Outdoor Stainless (mm)
QL424Q*	400	240	220	220
QL524Q*	500		320	320
QL624Q*	600		420	420
QL724Q*	700		520	520
QL824Q*	800		620	620
QL924Q*	900		720	720
QL432Q*	400	320	220	220
QL532Q*	500		320	320
QL632Q*	600		420	420
QL732Q*	700		520	520
QL832Q*	800		620	620
QL932Q*	900		720	720

• Replace the reference star in the product code with **T** for TT series and **K** for K series. Ex: PK424PT / PK424PK



Product Code	Width (mm)	Cover Height (mm)	Cover Usage Area (Width)	
			TT Series Stainless (mm)	K-Series Outdoor Stainless (mm)
UT416Q*	400	160	265	265
UT516Q*	500		365	365
UT616Q*	600		465	465
UT716Q*	700		565	565
UT816Q*	800		665	665
UT916Q*	900		765	765
UT424Q*	400	240	265	265
UT524Q*	500		365	365
UT624Q*	600		465	465
UT724Q*	700		565	565
UT824Q*	800		665	665
UT924Q*	900		765	765
UT432Q*	400	320	265	265
UT532Q*	500		365	365
UT632Q*	600		465	465
UT732Q*	700		565	565
UT832Q*	800		665	665
UT932Q*	900		765	765
UT448Q*	400	480	265	265
UT548Q*	500		365	365
UT648Q*	600		465	465
UT748Q*	700		565	565
UT848Q*	800		665	665
UT948Q*	900		765	765

• Replace the reference star in the product code with **T** for TT series and **K** for K series. Ex: TS416PT / TS416PK



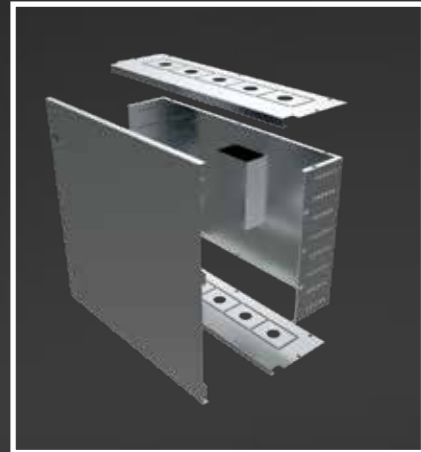
STAINLESS INSIDE ASSEMBLING SETS



TOROIDAL CURRENT TRANSFORMER SET

Product Code	Width (mm)	Cover Height (mm)	Mounting Plate Usage Area (Width)	
			TT Series Stainless (mm)	K-Series Outdoor Stainless (mm)
QS416Q*	400	160	265	265
QS516Q*	500		365	365
QS616Q*	600		465	465
QS716Q*	700		565	565
QS816Q*	800		665	665
QS916Q*	900		765	765
QS424Q*	400	240	265	265
QS524Q*	500		365	365
QS624Q*	600		465	465
QS724Q*	700		565	565
QS824Q*	800		665	665
QS924Q*	900		765	765
QS432Q*	400	320	265	265
QS532Q*	500		365	365
QS632Q*	600		465	465
QS732Q*	700		565	565
QS832Q*	800		665	665
QS932Q*	900		765	765

• Replace the reference star in the product code with **T** for TT series and **K** for K series. Ex: PR416PT / PR416PK



X/5 METER + CURRENT TRANSFORMER MCCB + TOROIDAL SET

Product Code	Width (mm)	Cover Height (mm)	Mounting Plate Usage Area (Width)	
			TT Series Stainless (mm)	K-Series Outdoor Stainless (mm)
QY456Q*	400	560	330	330
QY556Q*	500		430	430
QY656Q*	600		530	530
QY756Q*	700		630	630
QY856Q*	800		730	730
QY956Q*	900		830	830
QY464Q*	400	640	330	330
QY564Q*	500		430	430
QY664Q*	600		530	530
QY764Q*	700		630	630
QY864Q*	800		730	730
QY964Q*	900		830	830

• Replace the reference star in the product code with **T** for TT series and **K** for K series. Ex: PX456PT / PX456PK

STAINLESS INSIDE ASSEMBLING SETS



NH FUSE PANEL

Product Code	Width (mm)	Mounting Plate Usage Area (Width)	
		TT Series Stainless (mm)	K-Series Outdoor Stainless (mm)
OQ400Q*	400	265	265
OQ500Q*	500	365	365
OQ600Q*	600	465	465
OQ700Q*	700	565	565
OQ800Q*	800	665	665
OQ900Q*	900	765	765

• Replace the reference star in the product code with **T** for TT series and **K** for K series. Ex: NP400PT / NP400PK

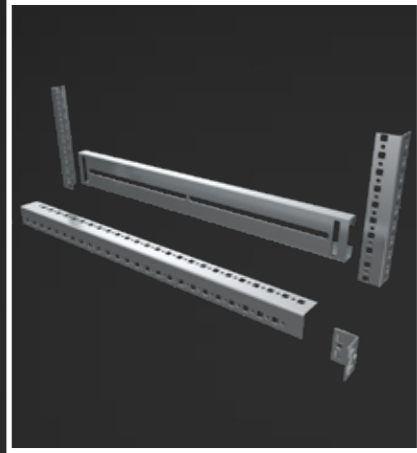


DISCONNECT

Product Code	Width (mm)	Mounting Plate Usage Area (Width)	
		TT Series Stainless (mm)	K-Series Outdoor Stainless (mm)
ZQ400Q*	400	265	265
ZQ500Q*	500	365	365
ZQ600Q*	600	465	465
ZQ700Q*	700	565	565
ZQ800Q*	800	665	665
ZQ900Q*	900	765	765

• Replace the reference star in the product code with **T** for TT series and **K** for K series. Ex: YP400PT / YP400PK

STAINLESS INSIDE ASSEMBLING SETS



CAPACITOR PANEL		Mounting Plate Usage Area (Width)	
Product Code	Width (mm)	TT Series Stainless (mm)	K-Series Outdoor Stainless (mm)
LP400Q*	400	290	290
LP500Q*	500	390	390
LP600Q*	600	490	490
LP700Q*	700	590	590
LP800Q*	800	690	690
LP900Q*	900	790	790

• Replace the reference star in the product code with **T** for TT series and **K** for K series. Ex: KO400PT / KO400PK



REACTOR PANEL		Mounting Plate Usage Area (Width)	
Product Code	Width (mm)	TT Series Stainless (mm)	K-Series Outdoor Stainless (mm)
SQ400Q*	400	290	290
SQ500Q*	500	390	390
SQ600Q*	600	490	490
SQ700Q*	700	590	590
SQ800Q*	800	690	690
SQ900Q*	900	790	790

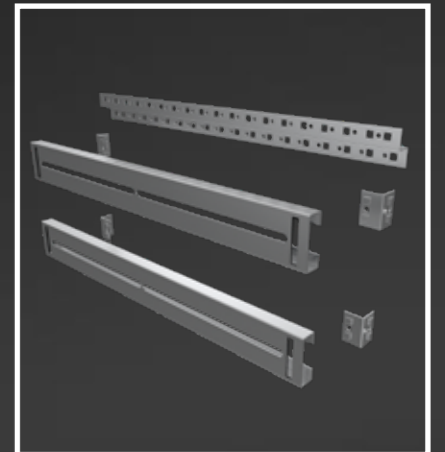
• Replace the reference star in the product code with **T** for TT series and **K** for K series. Ex: PR400PT / PR400PK

STAINLESS INSIDE ASSEMBLING SETS



AUTOMATIC FUSE RAIL MCB Rail		Mounting Plate Usage Area (Width)	
Product Code	Width (mm)	TT Series Stainless (mm)	K-Series Outdoor Stainless (mm)
TS400Q*	400	330	330
TS500Q*	500	430	430
TS600Q*	600	530	530
TS700Q*	700	630	630
TS800Q*	800	730	730
TS900Q*	900	830	830

• Replace the reference star in the product code with **T** for TT series and **K** for K series. Ex: SR400PT / SR400PK

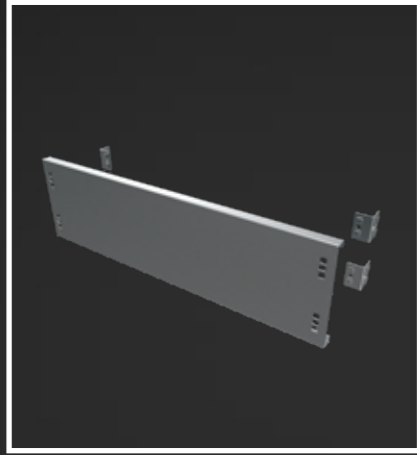


COMPACT SWITCH PANEL MCCB Panel			Mounting Plate Usage Area (Width)	
Product Code	Width (mm)	Cover Height (mm)	TT Series Stainless (mm)	K-Series Outdoor Stainless (mm)
LQ424Q*	400	240	290	290
LQ524Q*	500		390	390
LQ624Q*	600		490	490
LQ724Q*	700		590	590
LQ824Q*	800		690	690
LQ924Q*	900		790	790
LQ432Q*	400	320	290	290
LQ532Q*	500		390	390
LQ632Q*	600		490	490
LQ732Q*	700		590	590
LQ832Q*	800		690	690
LQ932Q*	900		790	790
LQ440Q*	400	400	290	290
LQ540Q*	500		390	390
LQ640Q*	600		490	490
LQ740Q*	700		590	590
LQ840Q*	800		690	690
LQ940Q*	900		790	790
LQ448Q*	400	480	290	290
LQ548Q*	500		390	390
LQ648Q*	600		490	490
LQ748Q*	700		590	590
LQ848Q*	800		690	690
LQ948Q*	900		790	790

• Replace the reference star in the product code with **T** for TT series and **K** for K series. Ex: KP424PT / KP424PK

STAINLESS INSIDE ASSEMBLING SETS

STAINLESS INSIDE ASSEMBLING SETS



CONTACTOR PANEL MCCB Panel			Mounting Plate Usage Area (Width)	
Product Code	Width (mm)	Cover Height (mm)	TT Series Stainless (mm)	K-Series Outdoor Stainless (mm)
DQ424Q*	400	240	265	265
DQ524Q*	500		365	365
DQ624Q*	600		465	465
DQ724Q*	700		565	565
DQ824Q*	800		765	765
DQ924Q*	900	320	865	865
DQ432Q*	400		265	265
DQ532Q*	500		365	365
DQ632Q*	600		465	465
DQ732Q*	700		565	565
DQ832Q*	800	400	765	765
DQ932Q*	900		865	865
DQ440Q*	400		265	265
DQ540Q*	500		365	365
DQ640Q*	600		465	465
DQ740Q*	700	480	565	565
DQ840Q*	800		765	765
DQ940Q*	900		865	865
DQ440Q*	400		265	265
DQ540Q*	500		365	365
DQ640Q*	600	480	465	465
DQ740Q*	700		565	565
DQ840Q*	800		765	765
DQ940Q*	900		865	865

• Replace the reference star in the product code with **T** for TT series and **K** for K series. Ex: CP424PT / CP424PK



OPEN TYPE SWITCH PANEL ACB Panel		Mounting Plate Usage Area (Width)	
Product Code	Width (mm)	TT Series Stainless (mm)	K-Series Outdoor Stainless (mm)
BQ456Q*	400	265	265
BQ556Q*	500	365	365
BQ656Q*	600	465	465
BQ756Q*	700	565	565
BQ856Q*	800	665	665
BQ956Q*	900	765	765

• Replace the reference star in the product code with **T** for TT series and **K** for K series. Ex: AP456PT / AP456PK

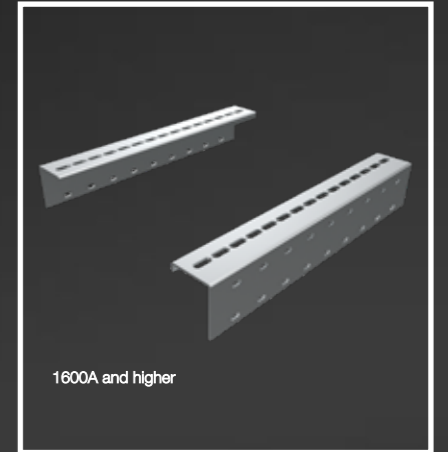
BUSBAR HOLDER		Busbar Holder Usage Area (Depth)	
Product Code	Width (mm)	TT Series Stainless (mm)	Series Outdoor Stainless (mm)
CM432Q*	400	290	290
CM532Q*	500		
CM632Q*	600		
CM732Q*	700		
CM832Q*	800		
CM932Q*	900		

• Replace the reference star in the product code with **T** for T series and **K** for K series. Ex: BL432PT / BL432PK

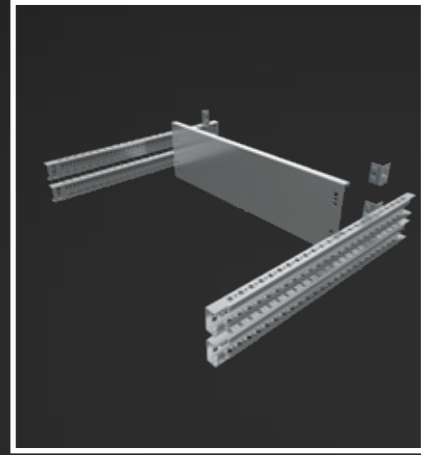


BUSBAR HOLDER		Busbar Holder Usage Area (Depth)	
Product Code	Width (mm)	TT Series Stainless (mm)	Series Outdoor Stainless (mm)
CC532Q*	500	290	290
CC632Q*	600	290	290
CC732Q*	700	390	390
CC832Q*	800	390	390
CC932Q*	900	490	490

• Replace the reference star in the product code with **T** for TT series and **K** for K series. Ex: BB432PT / BB432K



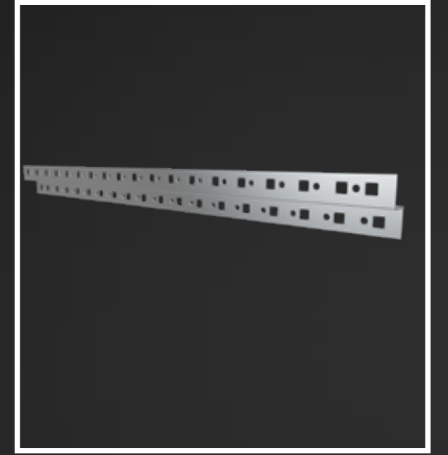
STAINLESS INSIDE ASSEMBLING SETS



TOROIDAL CURRENT TRANSFORMER PANEL		Mounting Plate Usage Area (Width)	
Product Code	Width (mm)	TT Series Stainless (mm)	K-Series Outdoor Stainless (mm)
UQ400Q*	400	265	265
UQ500Q*	500	365	365
UQ600Q*	600	465	465
UQ700Q*	700	565	565
UQ800Q*	800	665	665
UQ900Q*	900	765	765

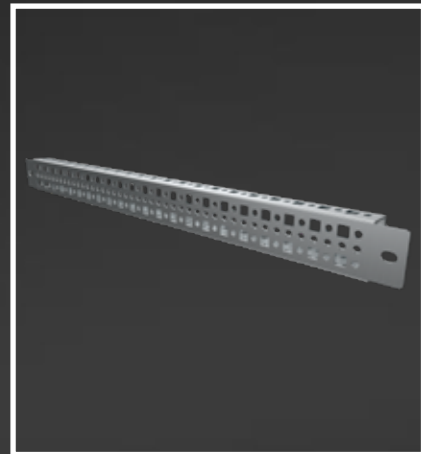
• Replace the reference star in the product code with **T** for TT series and **K** for K series. Ex: TP400PT / TP400PK

STAINLESS INSIDE ASSEMBLING SETS



CABLE HOLDER (Z)		Cable Holder (Z) Usage Area (Width)	
Product Code	Width (mm)	TT Series Stainless (mm)	K-Series Outdoor Stainless (mm)
BA400Q*	400	390	390
BA500Q*	500	490	490
BA600Q*	600	590	590
BA700Q*	700	690	690
BA800Q*	800	790	790
BA900Q*	900	890	890

• Replace the reference star in the product code with **T** for T series and **K** for K series. Ex: AZ400PT / AZ400PK



SLIDE RAIL		Slide Rail Dimension (Depth)	
Product Code	Width (mm)	TT Series Stainless (mm)	K-Series Outdoor Stainless (mm)
LA400Q*	400	95	270
LA500Q*	500	195	370
LA600Q*	600	295	470
LA700Q*	700	395	570
LA800Q*	800	495	670
LA900Q*	900	595	770

• Replace the reference star in the product code with **T** for TT series and **K** for K series. Ex: KZ400PT / KZ400PK

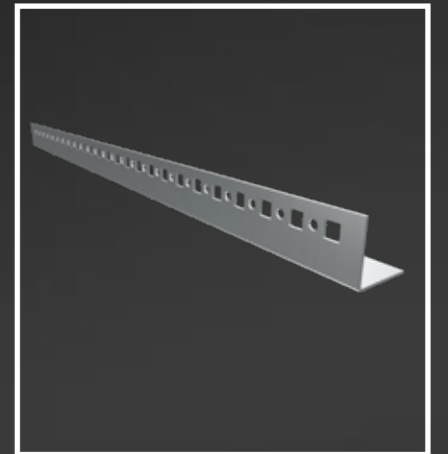
Note

Perforated side plate metal is not used in K-Series enclosures at the side of the panel. For this reason, the side brass is mounted along the depth of the panel.
The side brass used in MOD and TT Series panels is mounted to the perforated side plate inside the panel. For this reason, the side brass size is produced shorter than the panel depth.

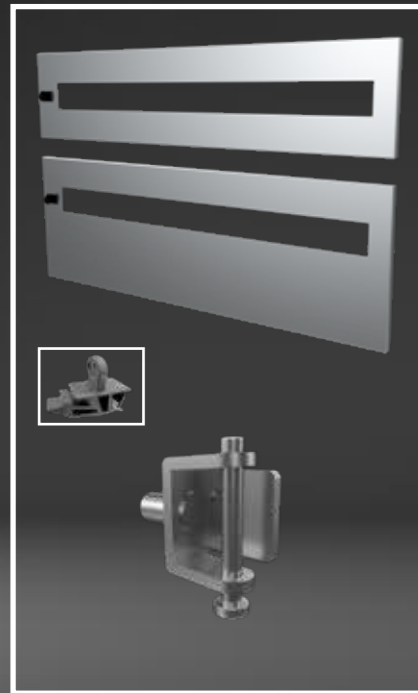
CABLE HOLDER (L)

CABLE HOLDER (L)		Cable Holder (L) Usage Area (Width)	
Product Code	Width (mm)	TT Series Stainless (mm)	K-Series Outdoor Stainless (mm)
BM400Q*	400	330	330
BM500Q*	500	430	430
BM600Q*	600	530	530
BM700Q*	700	630	630
BM800Q*	800	730	730
BM900Q*	900	830	830

• Replace the reference star in the product code with **T** for TT series and **K** for K series. Ex: AL400PT / AL400PK



STAINLESS INSIDE ASSEMBLING SETS



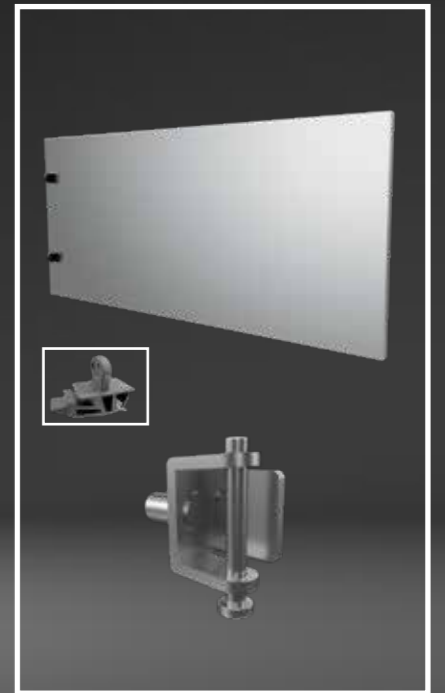
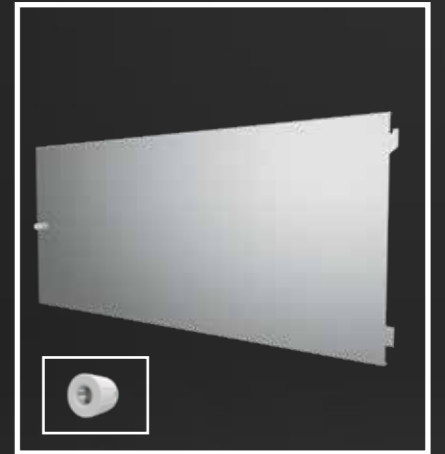
AUTOMATIC FUSE CURTAIN MCB Cover			Cover Usage Area (Width)	
Product Code	Width (mm)	Cover Height (mm)	TT Series Stainless (mm)	K-Series Outdoor Stainless (mm)
PQ416Q*	400	160	220	220
PQ516Q*	500		320	320
PQ616Q*	600		420	420
PQ716Q*	700		520	520
PQ816Q*	800		620	620
PQ916Q*	900		720	720
PQ424Q*	400	240	220	220
PQ524Q*	500		320	320
PQ624Q*	600		420	420
PQ724Q*	700		520	520
PQ824Q*	800		620	620
PQ924Q*	900		720	720

* Replace the reference star in the product code with **T** for TT series and **K** for K series. Ex: OP416**PT** / OP416**PK**

STAINLESS INSIDE ASSEMBLING SETS

EMPTY COVER			Cover Usage Area (Width)	
Product Code	Width (mm)	Cover Height (mm)	TT Series Stainless (mm)	K-Series Outdoor Stainless (mm)
CQ416Q*	400	160	220	220
CQ516Q*	500		320	320
CQ616Q*	600		420	420
CQ716Q*	700		520	520
CQ816Q*	800		620	620
CQ916Q*	900		720	720
CQ424Q*	400	240	220	220
CQ524Q*	500		320	320
CQ624Q*	600		420	420
CQ724Q*	700		520	520
CQ824Q*	800		620	620
CQ924Q*	900		720	720
CQ432Q*	400	320	220	220
CQ532Q*	500		320	320
CQ632Q*	600		420	420
CQ732Q*	700		520	520
CQ832Q*	800		620	620
CQ932Q*	900		720	720
CQ440Q*	400	400	220	220
CQ540Q*	500		320	320
CQ640Q*	600		420	420
CQ740Q*	700		520	520
CQ840Q*	800		620	620
CQ940Q*	900		720	720
CQ448Q*	400	480	220	220
CQ548Q*	500		320	320
CQ648Q*	600		420	420
CQ748Q*	700		520	520
CQ848Q*	800		620	620
CQ948Q*	900		720	720
CQ456Q*	400	560	220	220
CQ556Q*	500		320	320
CQ656Q*	600		420	420
CQ756Q*	700		520	520
CQ856Q*	800		620	620
CQ956Q*	900		720	720
CQ464Q*	400	640	220	220
CQ564Q*	500		320	320
CQ664Q*	600		420	420
CQ764Q*	700		520	520
CQ864Q*	800		620	620
CQ964Q*	900		720	720

* Replace the reference star in the product code with **T** for TT series and **K** for K series. Ex: BP416**PT** / BP416**PK**

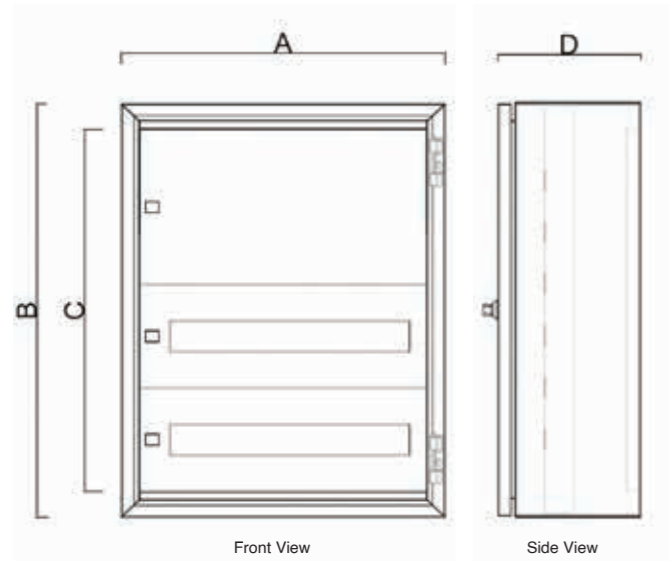


S-WALL SERIES SURFACE MOUNTED STAINLESS BOARDS WITH DEAD FRONT



Inside Assembling Equipment Pages 177-180

AISI 304 or AISI 316L Stainless Steel



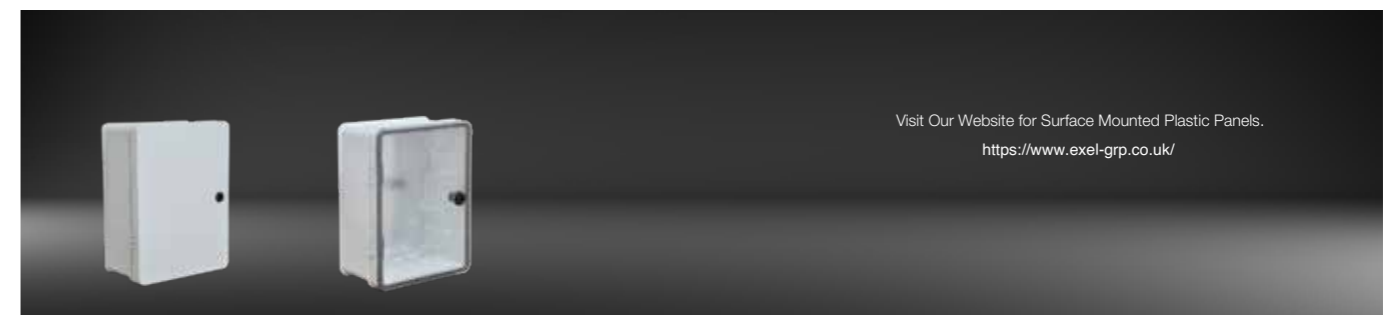
Product Code	A (mm)	B (mm)	C (mm)	D (mm)
3QQ4482	400	480	400	220
3QQ5482	500	480	400	
3QQ4642	400	640	560	
3QQ5642	500	640	560	
3QQ5722	500	720	640	
3QQ5802	500	800	720	
3QQ6802	600	800	720	
3QQ5882	500	880	800	
3QQ6882	600	880	800	
3QQ6962	600	960	880	
3QQ7962	700	960	880	
3QQ8962	800	960	880	
3QQ6102	600	1040	960	
3QQ7102	700	1040	960	
3QQ8102	800	1040	960	
3QQ6122	600	1200	1120	
3QQ7122	700	1200	1120	
3QQ8122	800	1200	1120	
3QQ6282	600	1280	1200	
3QQ7282	700	1280	1200	
3QQ8282	800	1280	1200	
3QQ6132	600	1360	1280	
3QQ7132	700	1360	1280	
3QQ8132	800	1360	1280	
3QQ6142	600	1440	1360	
3QQ7142	700	1440	1360	
3QQ8142	800	1440	1360	

A (mm): Width
B (mm): Height
C (mm): Inside Usage Height
D (mm): Depth

S-WALL SERIES SURFACE MOUNTED STAINLESS BOARDS WITH DEAD FRONT

Product Code	A (mm)	B (mm)	C (mm)	D (mm)
3QQ4486	400	480	400	260
3QQ5486	500	480	400	
3QQ4646	400	640	560	
3QQ5646	500	640	560	
3QQ5726	500	720	640	
3QQ5806	500	800	720	
3QQ6806	600	800	720	
3QQ5886	500	880	800	
3QQ6886	600	880	800	
3QQ6966	600	960	880	
3QQ7966	700	960	880	
3QQ8966	800	960	880	
3QQ6106	600	1040	960	
3QQ7106	700	1040	960	
3QQ8106	800	1040	960	
3QQ6126	600	1200	1120	
3QQ7126	700	1200	1120	
3QQ8126	800	1200	1120	
3QQ6286	600	1280	1200	
3QQ7286	700	1280	1200	
3QQ8286	800	1280	1200	
3QQ6136	600	1360	1280	
3QQ7136	700	1360	1280	
3QQ8136	800	1360	1280	
3QQ6146	600	1440	1360	
3QQ7146	700	1440	1360	
3QQ8146	800	1440	1360	

Product Code	A (mm)	B (mm)	C (mm)	D (mm)
3QQ4480	400	480	400	300
3QQ5480	500	480	400	
3QQ4640	400	640	560	
3QQ5640	500	640	560	
3QQ5720	500	720	640	
3QQ5800	500	800	720	
3QQ6800	600	800	720	
3QQ5880	500	880	800	
3QQ6880	600	880	800	
3QQ6960	600	960	880	
3QQ7960	700	960	880	
3QQ8960	800	960	880	
3QQ6100	600	1040	960	
3QQ7100	700	1040	960	
3QQ8100	800	1040	960	
3QQ6120	600	1200	1120	
3QQ7120	700	1200	1120	
3QQ8120	800	1200	1120	
3QQ6280	600	1280	1200	
3QQ7280	700	1280	1200	
3QQ8280	800	1280	1200	
3QQ6130	600	1360	1280	
3QQ7130	700	1360	1280	
3QQ8130	800	1360	1280	
3QQ6140	600	1440	1360	
3QQ7140	700	1440	1360	
3QQ8140	800	1440	1360	



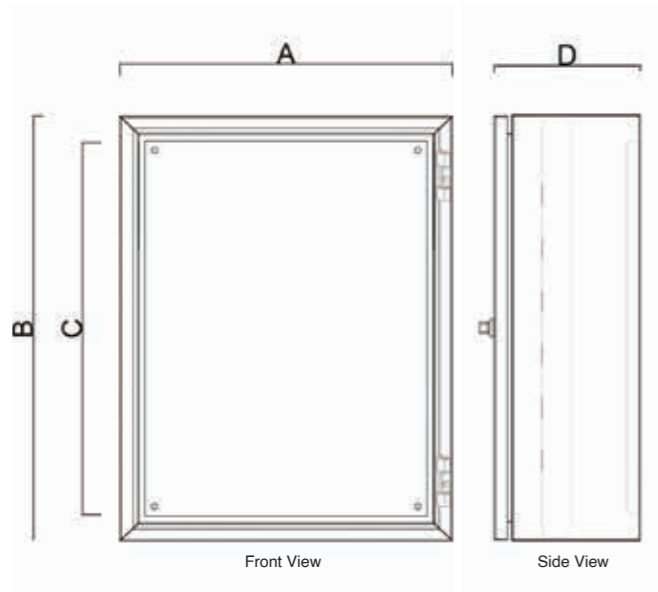
Visit Our Website for Surface Mounted Plastic Panels.
<https://www.exel-grp.co.uk/>

S-WALL SERIES SURFACE MOUNTED STAINLESS BOARDS WITH MOUNTING PLATE



Inside Assembling Equipment Pages 177-180

AISI 304 or AISI 316L Stainless Steel



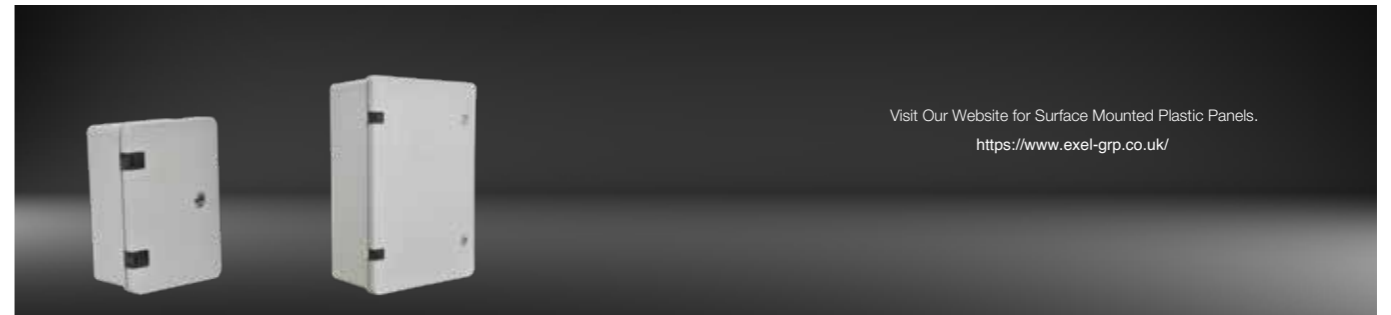
Product Code	A (mm)	B (mm)	C (mm)	D (mm)
3UQ4482	400	480	400	220
3UQ5482	500	480	400	
3UQ4642	400	640	560	
3UQ5642	500	640	560	
3UQ5722	500	720	640	
3UQ5802	500	800	720	
3UQ6802	600	800	720	
3UQ5882	500	880	800	
3UQ6882	600	880	800	
3UQ6962	600	960	880	
3UQ7962	700	960	880	
3UQ8962	800	960	880	
3UQ6102	600	1040	960	
3UQ7102	700	1040	960	
3UQ8102	800	1040	960	
3UQ6126	600	1200	1120	
3UQ7122	700	1200	1120	
3UQ8122	800	1200	1120	
3UQ6282	600	1280	1200	
3UQ7282	700	1280	1200	
3UQ8282	800	1280	1200	
3UQ6132	600	1360	1280	
3UQ7132	700	1360	1280	
3UQ8132	800	1360	1280	
3UQ6142	600	1440	1360	
3UQ7142	700	1440	1360	
3UQ8142	800	1440	1360	

A (mm): Width
 B (mm): Height
 C (mm): Inside Usage Height
 D (mm): Depth

S-WALL SERIES SURFACE MOUNTED STAINLESS BOARDS WITH MOUNTING PLATE

Product Code	A (mm)	B (mm)	C (mm)	D (mm)
3UQ4486	400	480	400	260
3UQ5486	500	480	400	
3UQ4646	400	640	560	
3UQ5646	500	640	560	
3UQ5726	500	720	640	
3UQ5806	500	800	720	
3UQ6806	600	800	720	
3UQ5886	500	880	800	
3UQ6886	600	880	800	
3UQ6966	600	960	880	
3UQ7966	700	960	880	
3UQ8966	800	960	880	
3UQ6106	600	1040	960	
3UQ7106	700	1040	960	
3UQ8106	800	1040	960	
3UQ6126	600	1200	1120	
3UQ7126	700	1200	1120	
3UQ8126	800	1200	1120	
3UQ6286	600	1280	1200	
3UQ7286	700	1280	1200	
3UQ8286	800	1280	1200	
3UQ6136	600	1360	1280	
3UQ7136	700	1360	1280	
3UQ8136	800	1360	1280	
3UQ6146	600	1440	1360	
3UQ7146	700	1440	1360	
3UQ8146	800	1440	1360	

Product Code	A (mm)	B (mm)	C (mm)	D (mm)
3UQ4480	400	480	400	300
3UQ5480	500	480	400	
3UQ4640	400	640	560	
3TUQ5640	500	640	560	
3TUQ5720	500	720	640	
3UQ5800	500	800	720	
3UQ6800	600	800	720	
3UQ5880	500	880	800	
3UQ6880	600	880	800	
3UQ6960	600	960	880	
3UQ7960	700	960	880	
3UQ8960	800	960	880	
3UQ6100	600	1040	960	
3UQ7100	700	1040	960	
3UQ8100	800	1040	960	
3UQ6120	600	1200	1120	
3UQ7120	700	1200	1120	
3UQ8120	800	1200	1120	
3UQ6280	600	1280	1200	
3UQ7280	700	1280	1200	
3UQ8280	800	1280	1200	
3UQ6130	600	1360	1280	
3UQ7130	700	1360	1280	
3UQ8130	800	1360	1280	
3UQ6140	600	1440	1360	
3UQ7140	700	1440	1360	
3UQ8140	800	1440	1360	



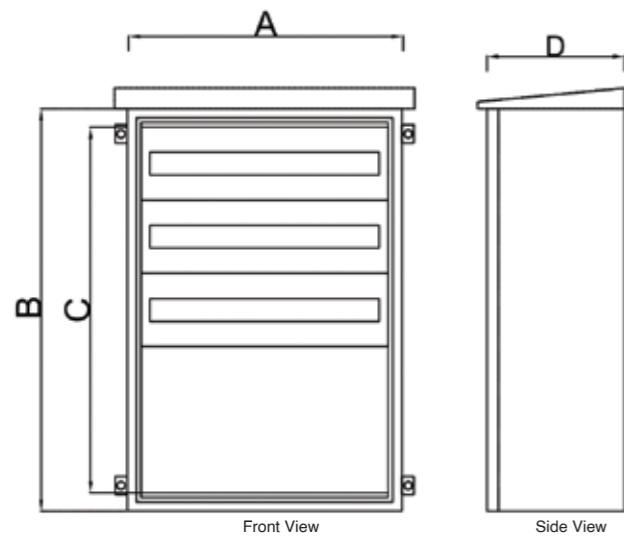
Visit Our Website for Surface Mounted Plastic Panels.
<https://www.exel-grp.co.uk/>

S-WALL SERIES OUTDOOR TYPE STAINLESS BOARD WITH DEAD FRONT



Inside Assembling Equipment Pages 177-180

AISI 304 or AISI 316L Stainless Steel



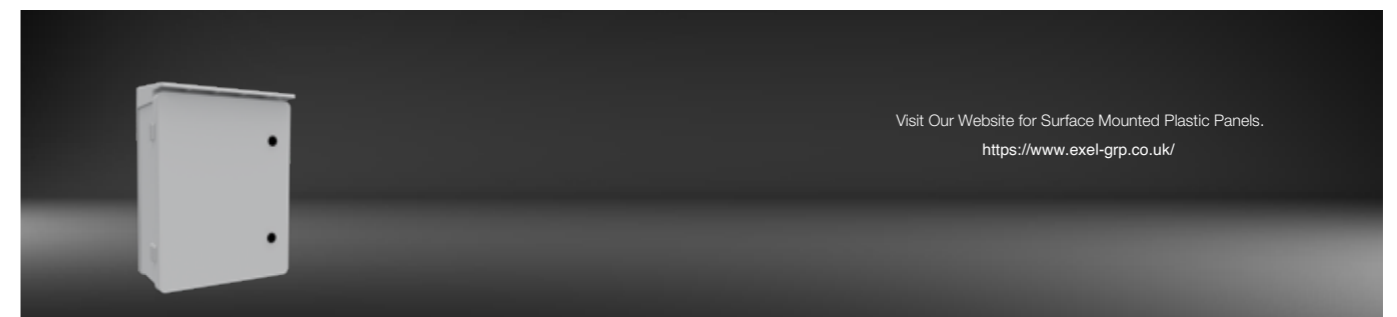
Product Code	A (mm)	B (mm)	C (mm)	D (mm)
7QQ4482	400	480	400	220
7QQ5482	500	480	400	
7QQ4642	400	640	560	
7QQ5642	500	640	560	
7QQ5722	500	720	640	
7QQ5802	500	800	720	
7QQ6802	600	800	720	
7QQ5882	500	880	800	
7QQ6882	600	880	800	
7QQ6962	600	960	880	
7QQ7962	700	960	880	
7QQ8962	800	960	880	
7QQ6102	600	1040	960	
7QQ7102	700	1040	960	
7QQ8102	800	1040	960	
7QQ6122	600	1200	1120	
7QQ7122	700	1200	1120	
7QQ8122	800	1200	1120	
7QQ6282	600	1280	1200	
7QQ7282	700	1280	1200	
7QQ8282	800	1280	1200	
7QQ6132	600	1360	1280	
7QQ7132	700	1360	1280	
7QQ8132	800	1360	1280	
7QQ6142	600	1440	1360	
7QQ7142	700	1440	1360	
7QQ8142	800	1440	1360	

A (mm): Width
 B (mm): Height
 C (mm): Inside Usage Height
 D (mm): Depth

S-WALL SERIES OUTDOOR TYPE STAINLESS BOARD WITH DEAD FRONT

Product Code	A (mm)	B (mm)	C (mm)	D (mm)
7QQ4486	400	480	400	260
7QQ5486	500	480	400	
7QQ4646	400	640	560	
7QQ5646	500	640	560	
7QQ5726	500	720	640	
7QQ5806	500	800	720	
7QQ6806	600	800	720	
7QQ5886	500	880	800	
7QQ6886	600	880	800	
7QQ6966	600	960	880	
7QQ7966	700	960	880	
7QQ8966	800	960	880	
7QQ6106	600	1040	960	
7QQ7106	700	1040	960	
7QQ8106	800	1040	960	
7QQ6126	600	1200	1120	
7QQ7126	700	1200	1120	
7QQ8126	800	1200	1120	
7QQ6286	600	1280	1200	
7QQ7286	700	1280	1200	
7QQ8286	800	1280	1200	
7QQ6136	600	1360	1280	
7QQ7136	700	1360	1280	
7QQ8136	800	1360	1280	
7QQ6146	600	1440	1360	
7QQ7146	700	1440	1360	
7QQ8146	800	1440	1360	

Product Code	A (mm)	B (mm)	C (mm)	D (mm)
7QQ4480	400	480	400	300
7QQ5480	500	480	400	
7QQ4640	400	640	560	
7QQ5640	500	640	560	
7QQ5720	500	720	640	
7QQ5800	500	800	720	
7QQ6800	600	800	720	
7QQ5880	500	880	800	
7QQ6880	600	880	800	
7QQ6960	600	960	880	
7QQ7960	700	960	880	
7QQ8960	800	960	880	
7QQ6100	600	1040	960	
7QQ7100	700	1040	960	
7QQ8100	800	1040	960	
7QQ6120	600	1200	1120	
7QQ7120	700	1200	1120	
7QQ8120	800	1200	1120	
7QQ6280	600	1280	1200	
7QQ7280	700	1280	1200	
7QQ8280	800	1280	1200	
7QQ6130	600	1360	1280	
7QQ7130	700	1360	1280	
7QQ8130	800	1360	1280	
7QQ6140	600	1440	1360	
7QQ7140	700	1440	1360	
7QQ8140	800	1440	1360	



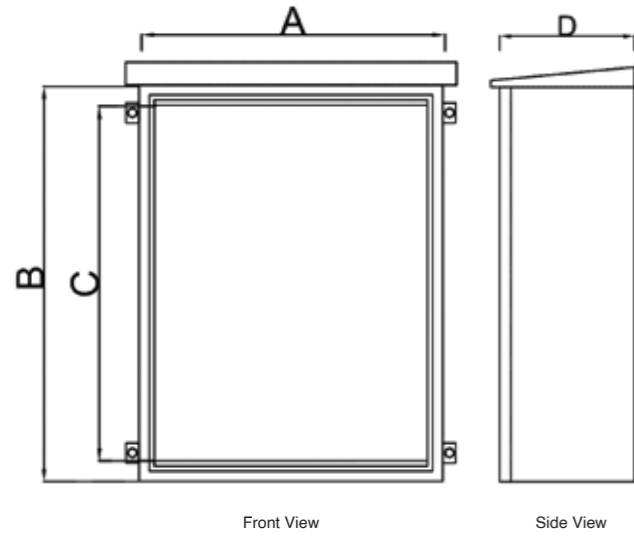
Visit Our Website for Surface Mounted Plastic Panels.
<https://www.exel-grp.co.uk/>

S-WALL SERIES OUTDOOR TYPE STAINLESS BOARDS WITH MOUNTING PLATE



Inside Assembling Equipment Pages 177-180

AISI 304 or AISI 316L Stainless Steel



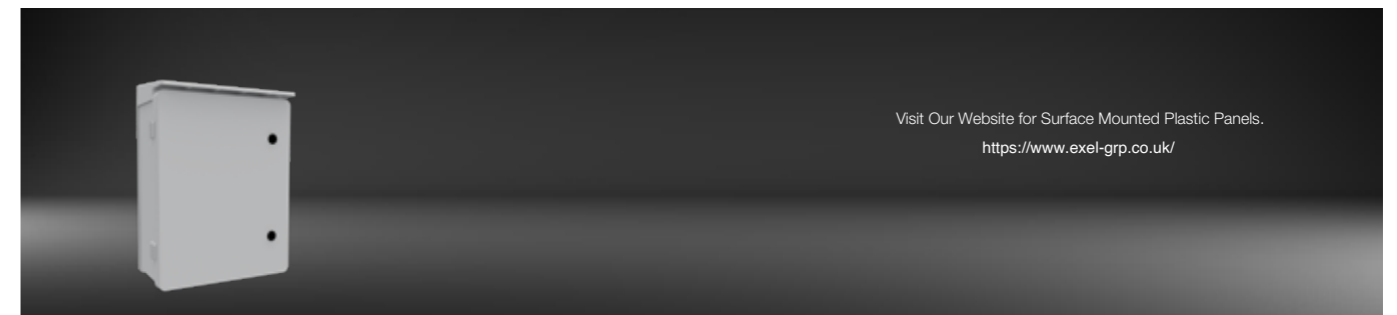
Product Code	A (mm)	B (mm)	C (mm)	D (mm)
7UQ4482	400	480	400	220
7UQ5482	500	480	400	
7UQ4642	400	640	560	
7UQ5642	500	640	560	
7UQ5722	500	720	640	
7UQ5802	500	800	720	
7UQ6802	600	800	720	
7UQ5882	500	880	800	
7UQ6882	600	880	800	
7UQ6962	600	960	880	
7UQ7962	700	960	880	
7UQ8962	800	960	880	
7UQ6102	600	1040	960	
7UQ7102	700	1040	960	
7UQ8102	800	1040	960	
7UQ6126	600	1200	1120	
7UQ7122	700	1200	1120	
7UQ8122	800	1200	1120	
7UQ6282	600	1280	1200	
7UQ7282	700	1280	1200	
7UQ8282	800	1280	1200	
7UQ6132	600	1360	1280	
7UQ7132	700	1360	1280	
7UQ8132	800	1360	1280	
7UQ6142	600	1440	1360	
7UQ7142	700	1440	1360	
7UQ8142	800	1440	1360	

A (mm): Width
 B (mm): Height
 C (mm): Inside Usage Height
 D (mm): Depth

S-WALL SERIES OUTDOOR TYPE STAINLESS BOARDS WITH MOUNTING PLATE

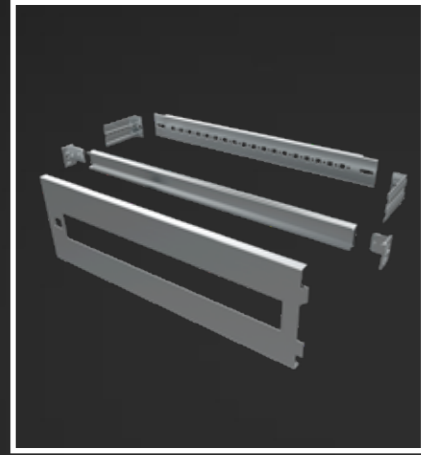
Product Code	A (mm)	B (mm)	C (mm)	D (mm)
7UQ4486	400	480	400	260
7UQ5486	500	480	400	
7UQ4646	400	640	560	
7UQ5646	500	640	560	
7UQ5726	500	720	640	
7UQ5806	500	800	720	
7UQ6806	600	800	720	
7UQ5886	500	880	800	
7UQ6886	600	880	800	
7UQ6966	600	960	880	
7UQ7966	700	960	880	
7UQ8966	800	960	880	
7UQ6106	600	1040	960	
7UQ7106	700	1040	960	
7UQ8106	800	1040	960	
7UQ6126	600	1200	1120	
7UQ7126	700	1200	1120	
7UQ8126	800	1200	1120	
7UQ6286	600	1280	1200	
7UQ7286	700	1280	1200	
7UQ8286	800	1280	1200	
7UQ6136	600	1360	1280	
7UQ7136	700	1360	1280	
7UQ8136	800	1360	1280	
7UQ6146	600	1440	1360	
7UQ7146	700	1440	1360	
7UQ8146	800	1440	1360	

Product Code	A (mm)	B (mm)	C (mm)	D (mm)
7UQ4480	400	480	400	300
7UQ5480	500	480	400	
7UQ4640	400	640	560	
7UQ5640	500	640	560	
7UQ5720	500	720	640	
7UQ5800	500	800	720	
7UQ6800	600	800	720	
7UQ5880	500	880	800	
7UQ6880	600	880	800	
7UQ6960	600	960	880	
7UQ7960	700	960	880	
7UQ8960	800	960	880	
7UQ6100	600	1040	960	
7UQ7100	700	1040	960	
7UQ8100	800	1040	960	
7UQ6120	600	1200	1120	
7UQ7120	700	1200	1120	
7UQ8120	800	1200	1120	
7UQ6280	600	1280	1200	
7UQ7280	700	1280	1200	
7UQ8280	800	1280	1200	
7UQ6130	600	1360	1280	
7UQ7130	700	1360	1280	
7UQ8130	800	1360	1280	
7UQ6140	600	1440	1360	
7UQ7140	700	1440	1360	
7UQ8140	800	1440	1360	



Visit Our Website for Surface Mounted Plastic Panels.
<https://www.exel-grp.co.uk/>

STAINLESS INSIDE ASSEMBLING SETS

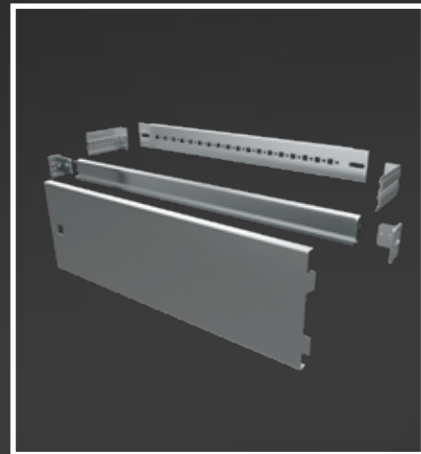


AUTOMATIC FUSE SET
MCB Set

Product Code	Width (mm)	Cover Height (mm)	Cover Usage Area (Width) (mm)
2QP416PV	400	160	280
2QP516PV	500		380
2QP616PV	600		480
2QP716PV	700		580
2QP816PV	800		680
2QP424PV	400	240	280
2QP524PV	500		380
2QP624PV	600		480
2QP724PV	700		580
2QP824PV	800		680

COMPACT SWITCH SET
MCCB Set

Product Code	Width (mm)	Cover Height (mm)	Mounting Plate Usage Area (Width)
2QU416PV	400	160	290
2QU516PV	500		390
2QU616PV	600		490
2QU716PV	700		590
2QU816PV	800		690
2QU424PV	400	240	290
2QU524PV	500		390
2QU624PV	600		490
2QU724PV	700		590
2QU824PV	800		690
2QU432PV	400	320	290
2QU532PV	500		390
2QU632PV	600		490
2QU732PV	700		590
2QU832PV	800		690



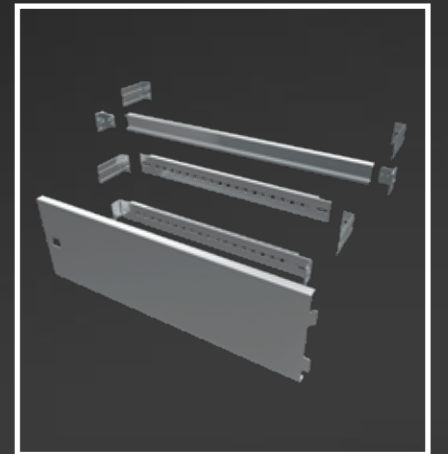
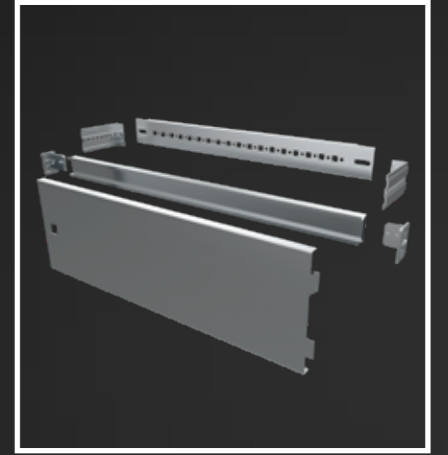
STAINLESS INSIDE ASSEMBLING SETS

CONTACTOR SET

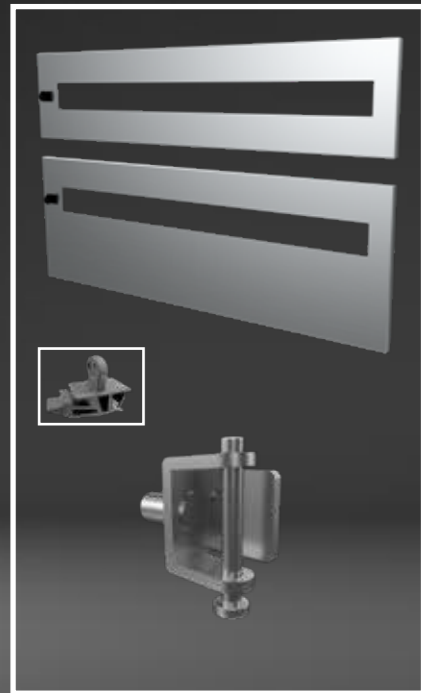
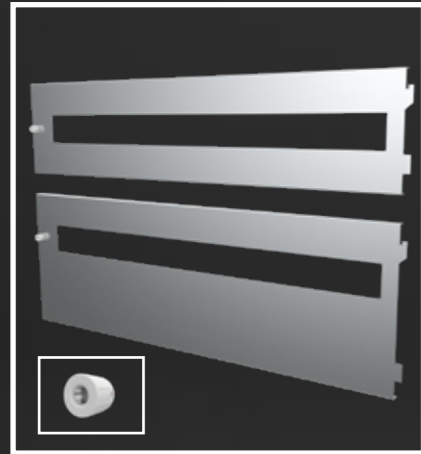
Product Code	Width (mm)	Cover Height (mm)	Cover Usage Area (Width) (mm)
2QD416PV	400	160	280
2QD516PV	500		380
2QD616PV	600		480
2QD716PV	700		580
2QD816PV	800		680
2QD424PV	400	240	280
2QD524PV	500		380
2QD624PV	600		480
2QD724PV	700		580
2QD824PV	800		680

TERMINAL SECTION SET

Product Code	Width (mm)	Cover Height (mm)	Cover Usage Area (Width) (mm)
2QL416PV	400	160	280
2QL516PV	500		380
2QL616PV	600		480
2QL716PV	700		580
2QL816PV	800		680
2QL424PV	400	240	280
2QL524PV	500		380
2QL624PV	600		480
2QL724PV	700		580
2QL824PV	800		680



STAINLESS INSIDE ASSEMBLING COVERS



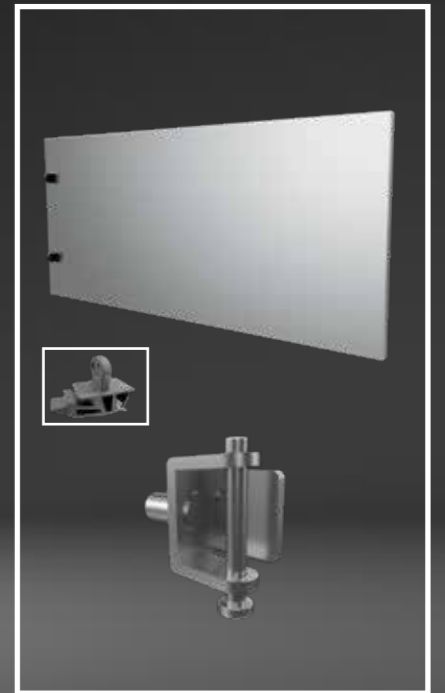
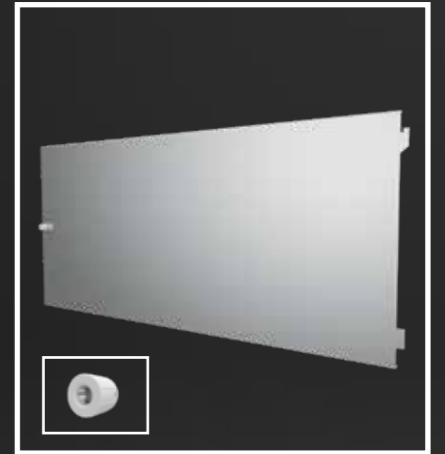
AUTOMATIC FUSE CURTAIN
MCB Cover

Product Code	Width (mm)	Cover Height (mm)	Cover Usage Area (Width) (mm)
XPQ416QV	400	160	280
XPQ516QV	500		380
XPQ616QV	600		480
XPQ716QV	700		580
XPQ816QV	800		680
XPQ424QV	400	240	280
XPQ524QV	500		382
XPQ624QV	600		480
XPQ724QV	700		580
XPQ824QV	800		680

STAINLESS INSIDE ASSEMBLING COVERS

EMPTY COVER

Product Code	Width (mm)	Cover Height (mm)	Cover Usage Area (Width) (mm)
XCQ416QV	400	160	280
XCQ516QV	500		380
XCQ616QV	600		480
XCQ716QV	700		580
XCQ816QV	800		680
XCQ424QV	400	240	280
XCQ524QV	500		380
XCQ624QV	600		480
XCQ724QV	700		580
XCQ824QV	800		680
XCQ432QV	400	320	280
XCQ532QV	500		380
XCQ632QV	600		480
XCQ732QV	700		580
XCQ832QV	800		680
XCQ440QV	400	400	280
XCQ540QV	500		380
XCQ640QV	600		480
XCQ740QV	700		580
XCQ840QV	800		680
XCQ448QV	400	480	280
XCQ548QV	500		380
XCQ648QV	600		480
XCQ748QV	700		580
XCQ848QV	800		680
XCQ456QV	400	560	280
XCQ556QV	500		380
XCQ656QV	600		480
XCQ756QV	700		580
XCQ856QV	800		680
XCQ464QV	400	640	280
XCQ564QV	500		380
XCQ664QV	600		480
XCQ764QV	700		580
XCQ864QV	800		680





Formed Systems / 2B.....183

Formed 3A / 3B Systems.....189

Formed 4A / 4B Systems.....203

MCC 3B / 4 Systems.....217

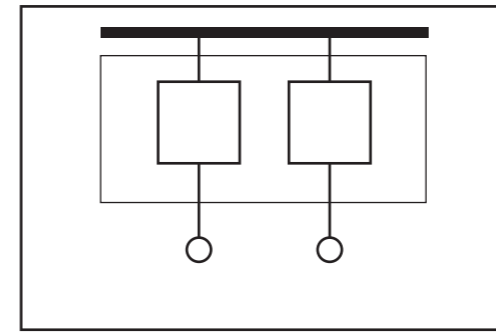


Inside Assembling Equipment Pages 183-187

- Material and Surface:**
 - Panel Frame: MOD series (Mild) 1,5 mm painted steel, TT series (Galvanized) 2 mm steel
 - Door: 2 mm Mild painted steel
 - Side cover: 1.2 mm Mild painted steel
 - Back cover: 1.2 mm Mild painted steel
 - Top cover: 1,5 mm Mild painted steel
 - Cable entry point: 1.2 mm Mild painted steel brushed input for cable
- Paint:**
 RAL 7035 Electrostatic Powder Paint
- Test Standard:**
 IEC 61 439-1/-2
- IP Protection:**
 IP41 / IP54
- IK Impact Resistance:**
 IK10

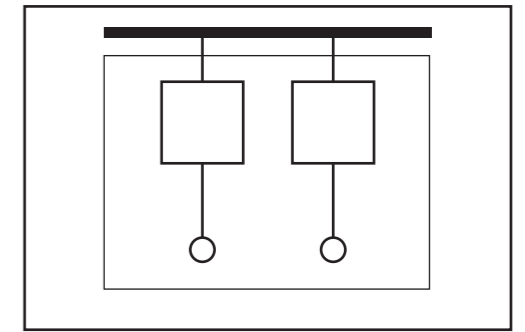
While applying the form separation process, metal or non-metal parts are used in order to prevent the transition between the sections. With using these parts, direct access of the user to live parts or materials such as circuit breakers is prevented. In practice, when the door is opened, we should not encounter an energized busbar. For the reliability of the compartments, they should be opened using a hand tool such as a key. In addition, the holes on the parts for which separation is provided must be large enough not to pass fingers.

Formed 2B Systems



2A

Terminals not separated from busbars.



2B

Terminals separated from busbars.

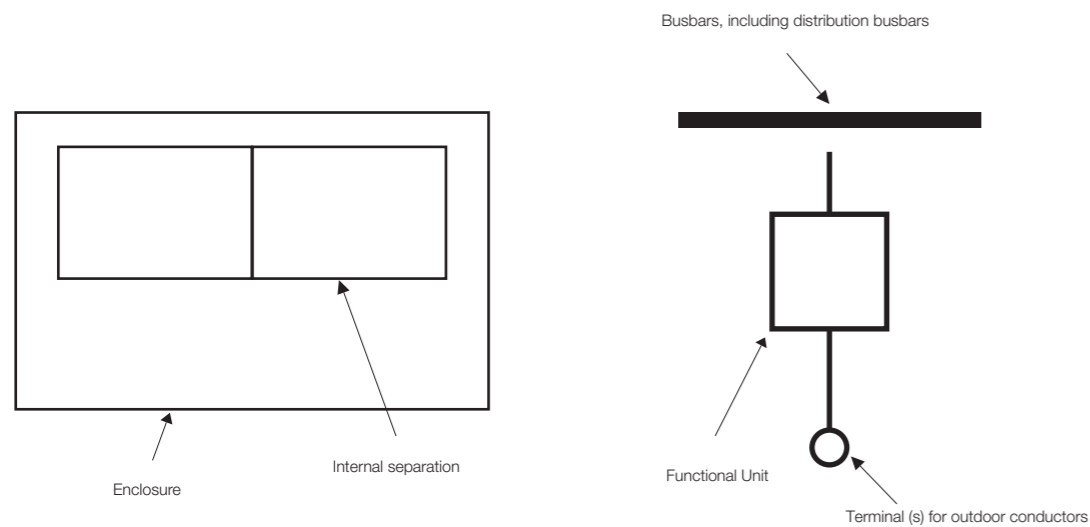
Separation of busbars from functional units

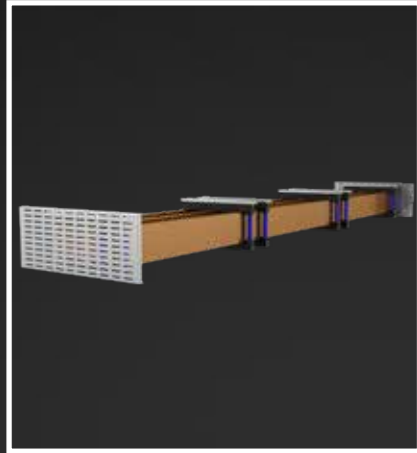
Form 2 class is the most basic partitioning class. It is the separation of busbars from functional units. There is no requirement for the external conductor connection points and functional units to be separated from each other. Devices and external ports can be located in the same compartment.

Form Separation Forms

Main Criteria	Sub-Criteria	Formed
Separation of busbars from functional units. Compact, open circuit breaker etc. of main busbars. such as leaving the switchgear.	Terminals for external conductors not separated from the busbars.	2A
	Terminals for external conductors separated from busbars.	2B

BUILT-IN SPLIT FORMATS



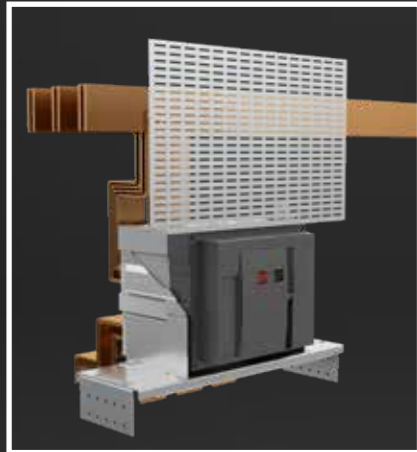


Main Busbar Right and Left Cover

It covers right and left access to main busbar. Dimensions of covers changing depends on board depth and busbar width.

Material:
1mm Galvanized / 2mm PC Glass

Panel Depth (mm)	Cover Height (mm)
600	320
700	400
800	480
900	
1000	

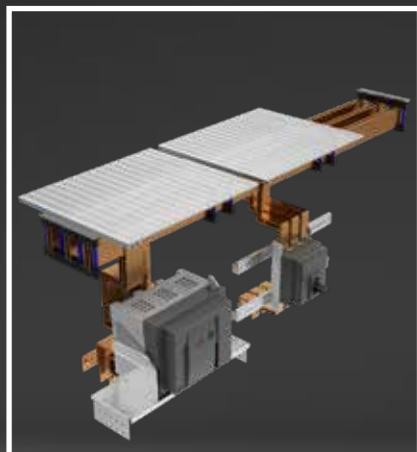


ABC Front Cover

It covers from front surface, between main busbar and ACB connection coppers.

Material:
1mm Galvanized

Panel Width (mm)	Panel Depth (mm)
600	800
700	900
800	1000
900	
1000	



Main Busbar Bottom / Top Covers

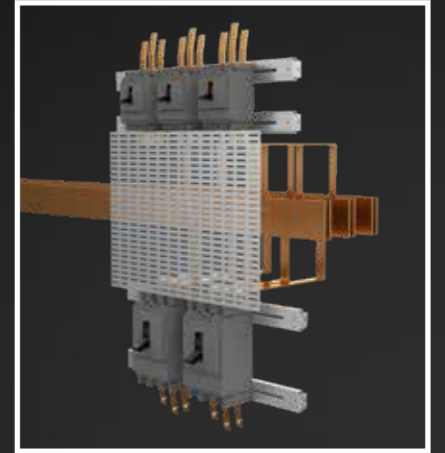
It prevents access to the busbar from the bottom / top point.

Material:
1mm Galvanized

MCCB Front Cover

Provides the MCCB point is closed with the busbar.

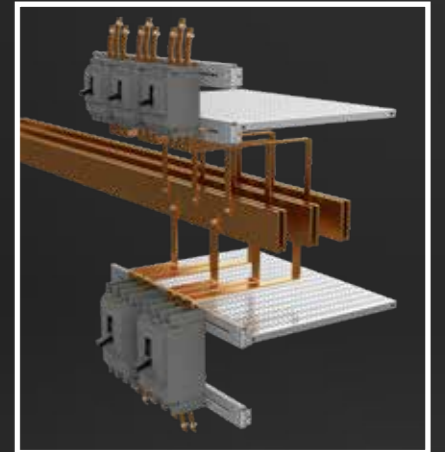
Material:
1mm Galvanized



MCCB Bottom / Top Front Cover

Provides the MCCB point is closed with the busbar.

Material:
1mm Galvanized





FORMED 3A / 3B SYSTEMS



Inside Assembling Equipment Pages 191-200

Material and Surface:

- Panel Frame: MOD series (Mild) 1,5 mm painted steel, TT series (Galvanized) 2 mm steel
- Door: 2 mm Mild painted steel
- Side cover: 1.2 mm Mild painted steel
- Back cover: 1.2 mm Mild painted steel
- Top cover: 1,5 mm Mild painted steel
- Cable entry point: 1.2 mm Mild painted steel brushed input for cable

Paint:

RAL 7035 Electrostatic Powder Paint

Test Standard:

IEC 61 439-1/-2

IP Protection:

IP41 / IP54

IK Impact Resistance:

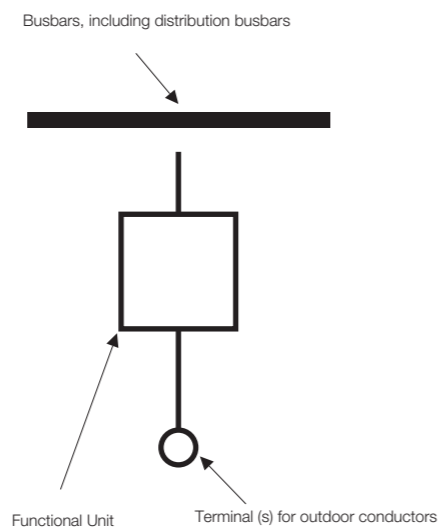
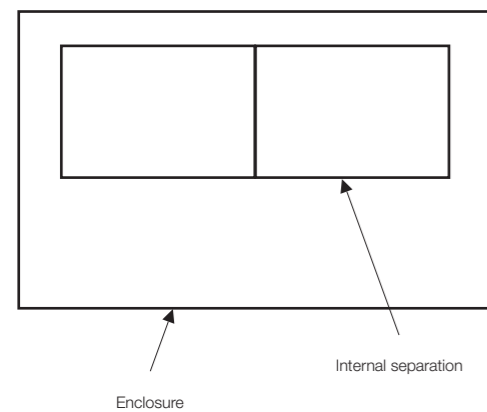
IK10

Form Separation Forms

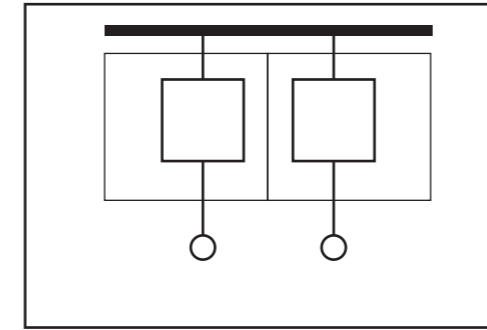
Main Criteria	Sub-Criteria	Formed
Separation of busbars from functional units and separation of all functional units from each other. Separation of terminals of external conductors from their functional units, but not separation of other functional units from them.	Terminals for external conductors not separated from the busbars.	3A
	Terminals for external conductors separated from busbars.	3B

DAHİLİ AYIRMA BİÇİMLERİ

Built-in Split Formats

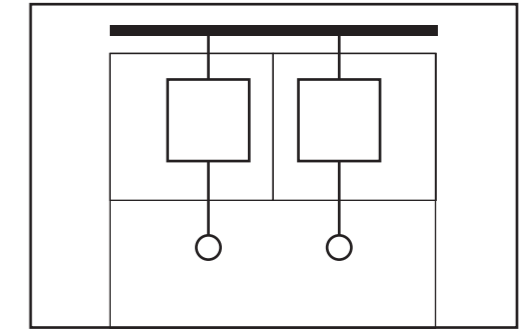


FORMED 3A / 3B SYSTEMS



3A

Terminals not separated from busbars.



3B

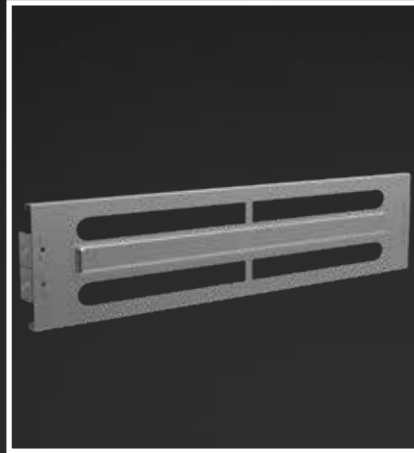
Terminals separated from busbars.

- Separation of busbars from functional units
- Separation of all functional units
- Separating the terminals of external conductors from functional units, but not separating other functional units from them.

Separation of busbars and functional units, as well as the separation of functional units within themselves. In addition, the external conductor terminals must be separated from the functional units, but the external conductor connection points do not need to be separated among themselves. External conductor connection points must be in a separate compartment.

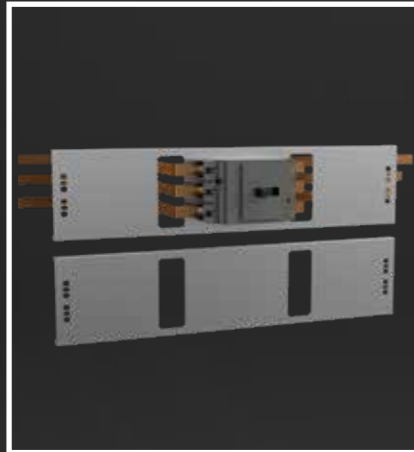
Form 3A : The supply terminals of the functional units and the external conductor terminals are inseparable.

Form 3B : The supply terminals of the functional units and the external conductor terminals are separated from each other.



MCB's Panel

Material:
1,5mm Galvanized + 3mm Aluminum Rail



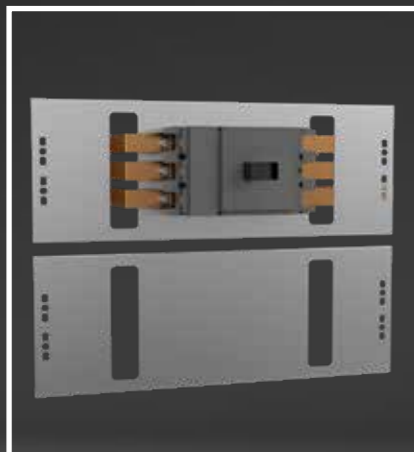
Horizontal Without Socket Fixed MCCB Panel

With panel design that prevents access to the busbar, it complies with Form 3B standards, but also protection cover is needed. (See.p.204)

Material:
1,5mm Galvanized

Applicable Current Values: 32A-250A

Panel Width (mm)	Cover Height (mm)
600	160
700	240
800	320
900	



Horizontal Without Socket Fixed MCCB Panel

With panel design that prevents access to the busbar, it complies with Form 3B standards, but also protection cover is needed. (See.p.204)

Material:
2mm Galvanized

Applicable Current Values: 400A-630A

Panel Width (mm)	Cover Height (mm)
600	320
700	400
800	
900	

Horizontal With Socket Fixed MCCB Panel

With panel design that prevents access to the busbar, it complies with Form 3B standards.

Material:
1,5mm Galvanized

Applicable Current Values: 32A-250A

Panel Width (mm)	Cover Height (mm)
600	160
700	240
800	320
900	

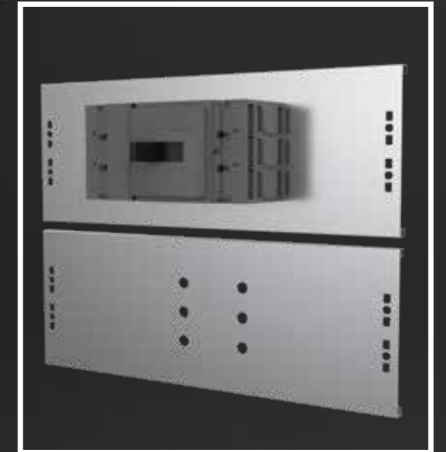
Horizontal With Socket Fixed MCCB Panel

With panel design that prevents access to the busbar, it complies with Form 3B standards.

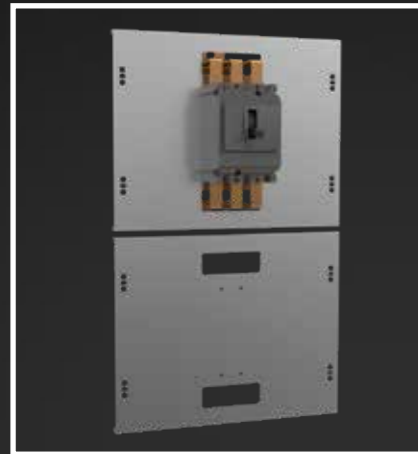
Material:
2mm Galvanized

Applicable Current Values: 400A-630A

Panel Width (mm)	Cover Height (mm)
600	320
700	400
800	
900	



FORMED 3B SYSTEMS



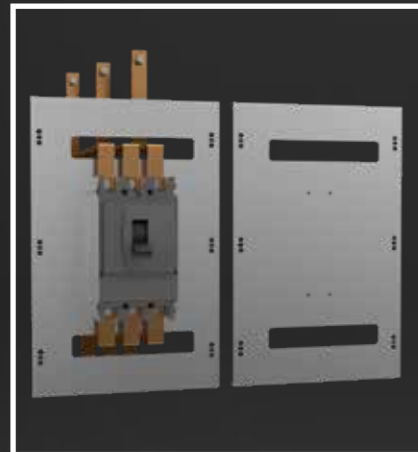
Vertical Without Socket Fixed MCCB Panel

With panel design that prevents access to the busbar, it complies with Form 3B standards, but also protection cover is needed. (See.p.204)

Material:
1,5mm Galvanized

Applicable Current Values: 32A-250A

Panel Width (mm)	Cover Height (mm)
600	160 240 320
700	
800	
900	



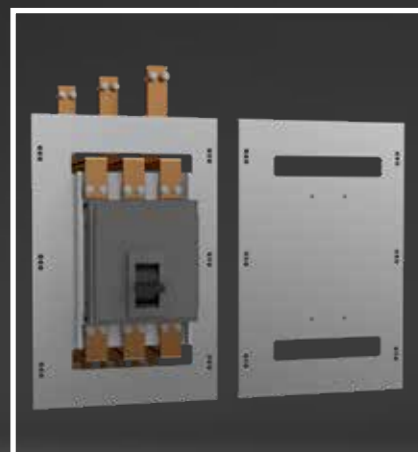
Vertical Without Socket Fixed MCCB Panel

With panel design that prevents access to the busbar, it complies with Form 3B standards, but also protection cover is needed. (See.p.204)

Material:
2mm Galvanized

Applicable Current Values: 400A-630A

Panel Width (mm)	Cover Height (mm)
600	320 400
700	
800	
900	



Vertical Without Socket Fixed MCCB Panel

With panel design that prevents access to the busbar, it complies with Form 3B standards, but also protection cover is needed. (See.p.204)

Material:
2mm Galvanized

Applicable Current Values: 800A-1250A

Panel Width (mm)	Cover Height (mm)
600	320 400
700	
800	
900	

FORMED 3B SYSTEMS

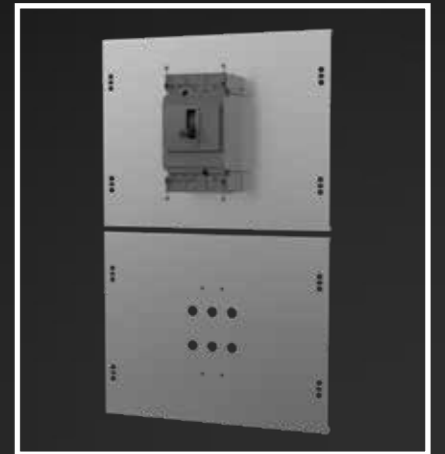
Horizontal With Socket Fixed MCCB Panel

With panel design that prevents access to the busbar, it complies with Form 3B standards.

Material:
1,5mm Galvanized

Applicable Current Values: 32A-250A

Panel Width (mm)	Cover Height (mm)
600	160 240 320
700	
800	
900	



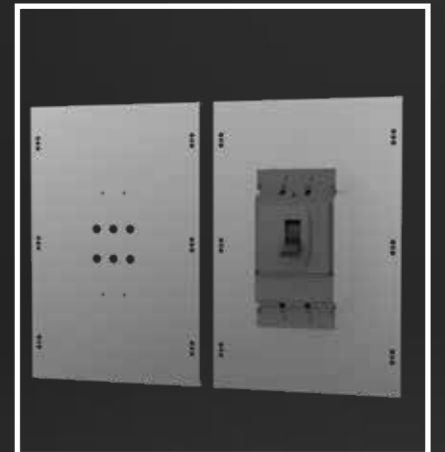
Horizontal With Socket Fixed MCCB Panel

With panel design that prevents access to the busbar, it complies with Form 3B standards.

Material:
2mm Galvanized

Applicable Current Values: 400A-630A

Panel Width (mm)	Cover Height (mm)
600	320 400
700	
800	
900	



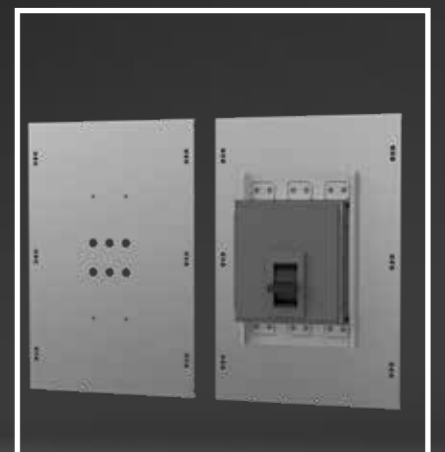
Horizontal With Socket Fixed MCCB Panel

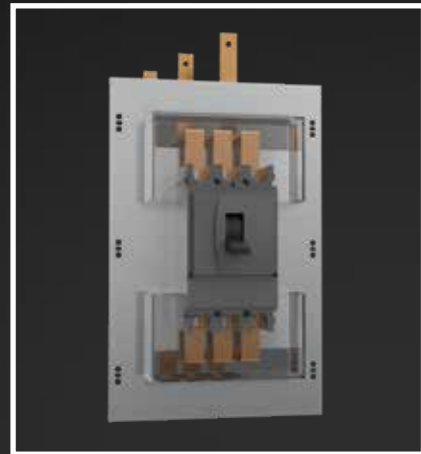
With panel design that prevents access to the busbar, it complies with Form 3B standards.

Material:
2mm Galvanized

Applicable Current Values: 800A-1250A

Panel Width (mm)	Cover Height (mm)
600	320 400
700	
800	
900	

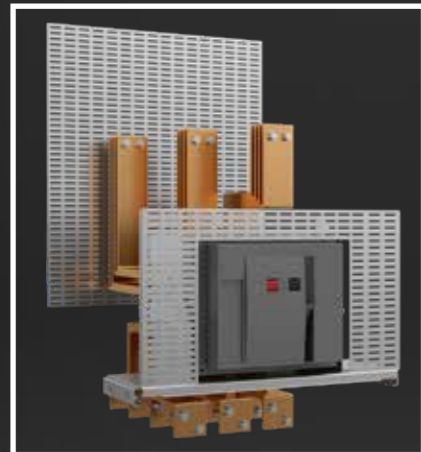




Terminal Protector Transparent Cover

It enables the connection terminals of the MCCB to be closed, thus preventing the user from reaching the busbar. Cover sizes changing according to MCCB sizes.

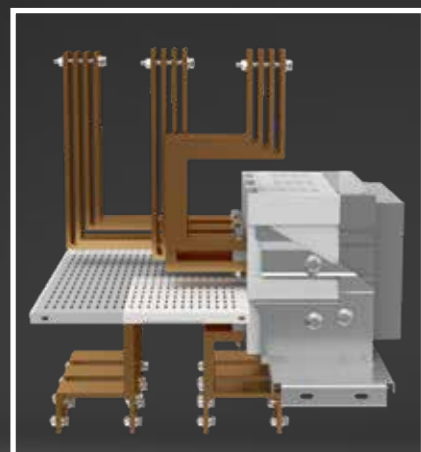
Material:
2mm PC Glass



ACB's Front and Back Cover

Prevents access to the busbar from the front surface of the ACB. At the same time, another cover is applied to prevent access to the busbar section from back.

Material:
1mm Galvanized



ACB Input and Output Busbar Separation

It is applied to separate ACB input and output busbars from each other. It cannot be separated by sheet or metal. Insulating material must be used, such as PC glass.

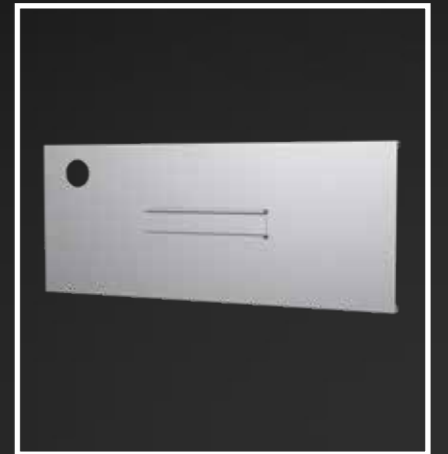
Material:
2mm PC Glass

Inner Mounting Plate

Mounting plate for motor circuit equipment.

Material:
1,5mm Galvanized

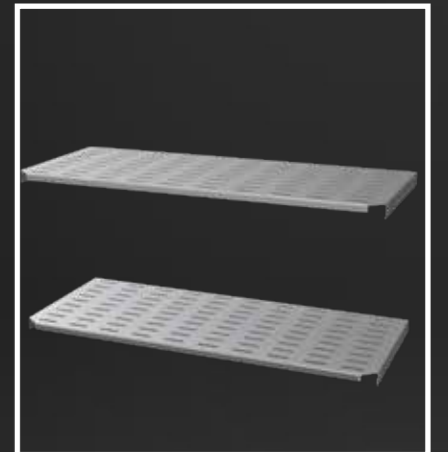
Applicable Power Range: 0,15-25kW



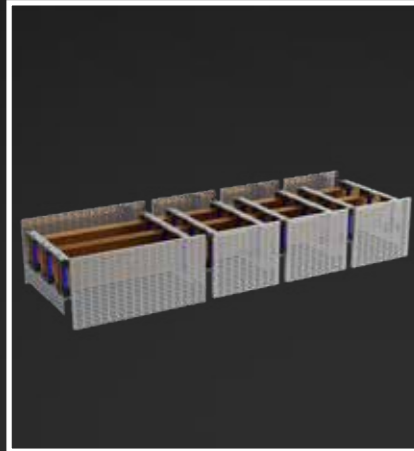
Inner Mounting Plate's Bottom and Top Cover

Covers prevent access to motor circuit equipment from bottom and top. Dimensions are changing according to board width and depth.

Material:
1mm Galvanized



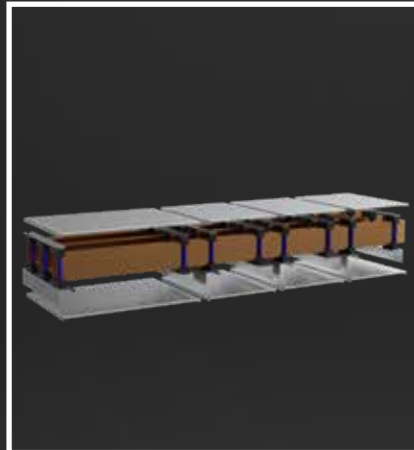
Reference image of inner mounting plate with bottom and top cover.



Main Busbar Front and Back Cover

It covers front and back access to main busbar. Dimensions of covers changing depends on board and busbar widths.

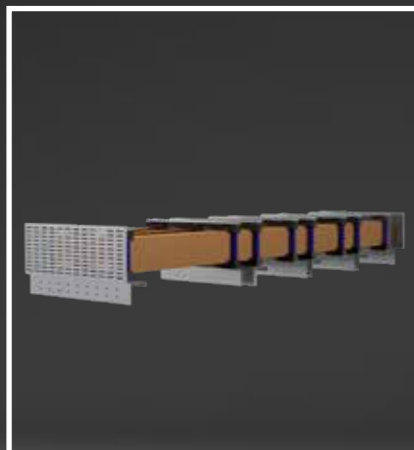
Material:
1mm Galvanized



Main Busbar Bottom and Top Cover

It covers bottom and top access to main busbar. Dimensions of covers changing depends on board width and depth.

Material:
1mm Galvanized



Main Busbar Right and Left Cover

It covers right and left access to main busbar. Dimensions of covers changing depends on board depth and busbar width.

Material:
1mm Galvanized, 2mm PC Glass

Board Front and Back Cover

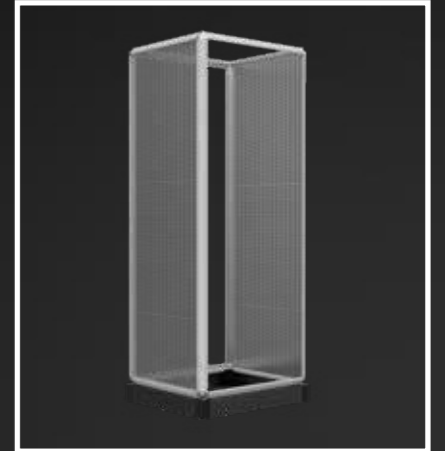
It completely covers board's front and back. Dimensions of covers changing depends on board height and width. Especially uses in the vertical busbar cell.

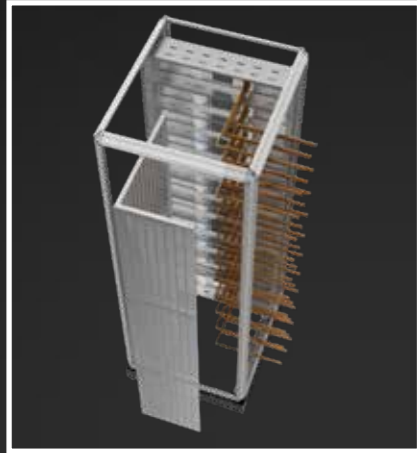
Material:
1mm Galvanized

Board Right and Left Cover

It completely covers board's right and left. Dimensions of covers changing depends on board height and width. Generally, uses in termination cells.

Material:
1mm Galvanized





MCCB Cell Cover

kapamasidir. It covers between MCCB's inputs and coppers to main busbar.

Material:
1mm Galvanized



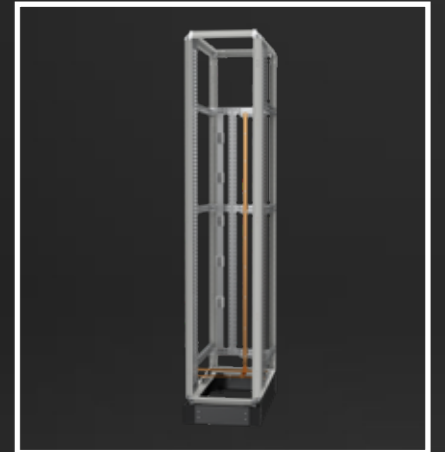
Vertical Busbar Cell

It separates between main busbar and MCCB inputs because of vertical busbar cell.



Terminal Cell

It is the external conductor connection point. It conforms to Form 3B standards thanks to its separation from functional units and busbars.





FORMED 4A / 4B SYSTEMS



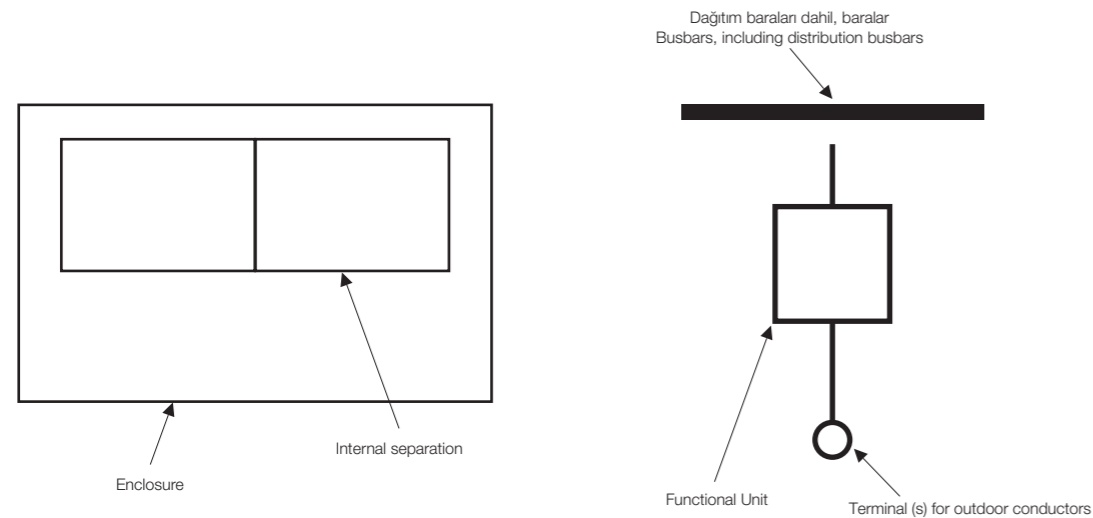
Inside Assembling Equipment Pages 207-214

- Material and Surface:**
 - Panel Frame: MOD series (Mild) 1,5 mm painted steel, TT series (Galvanized) 2 mm steel
 - Door: 2 mm Mild painted steel
 - Side cover: 1.2 mm Mild painted steel
 - Back cover: 1.2 mm Mild painted steel
 - Top cover: 1,5 mm Mild painted steel
 - Cable entry point: 1.2 mm Mild painted steel brushed input for cable
- Paint:**
 RAL 7035 Electrostatic Powder Paint
- Test Standard:**
 IEC 61 439-1/-2
- IP Protection:**
 IP41 / IP54
- IK Impact Resistance:**
 IK10

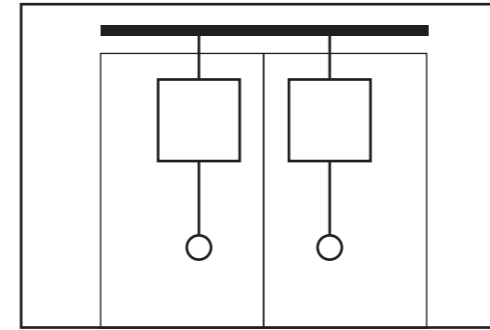
Form Separation Forms

Main Criteria	Sub-Criteria	Formed
Separation of busbars from all functional units and separation of all functional units from each other. Separation of terminals of external conductors related to a functional unit from terminals and busbars of external conductors of any other unit.	Terminals for external conductors in the same compartment as the corresponding functional unit.	4A
	Terminals for external conductors not in the same compartment as the relevant functional unit, but in individually separate, enclosed enclosures or compartments	4B

Built-in Split Formats

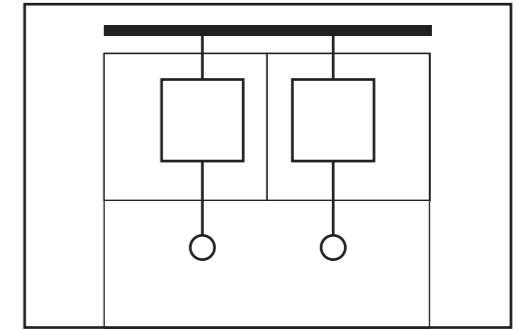


FORMED 4A / 4B SYSTEMS



4A

Terminals not separated from busbars.



4B

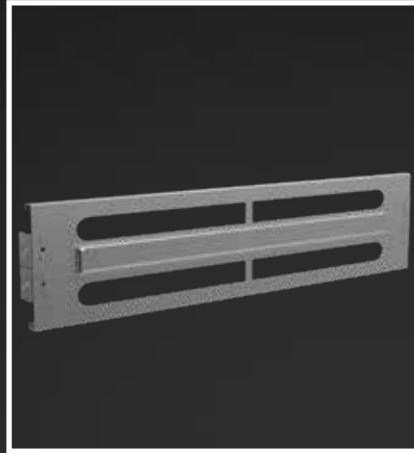
tt

- Separation of busbars from functional units
- Separation of all functional units
- Separation of terminals of external conductors related to a functional unit from terminals and busbars of external conductors of any other unit.

Separation of busbars and functional units, as well as the separation of functional units within themselves. In addition, external conductor terminals must also be separated from functional units, and external conductor connection points must be separated among themselves. External conductor connection points must be in a separate compartment.

Form 4A : The supply terminals of the functional units and the external conductor terminals are inseparable. External conductor terminals are separated among themselves

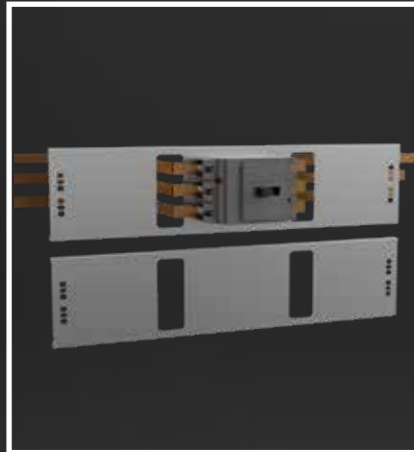
Form 4B : The supply terminals of the functional units and the external conductor terminals are separated from each other. External conductor terminals are separated among themselves.



MCB's Panel

Rail and panel that prevents access to the busbar.

Material:
1,5mm Galvanized + 3mm Aluminum Rail



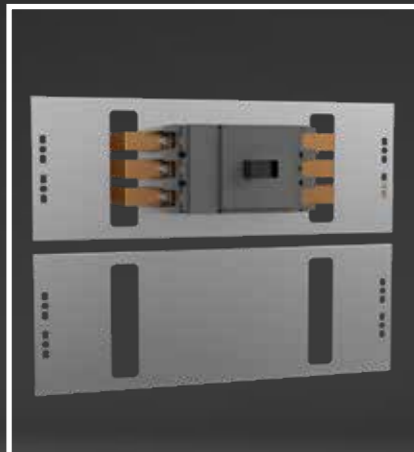
Horizontal Without Socket Fixed MCCB Panel

With panel design that prevents access to the busbar, it complies with Form 4B standards, but also protection cover is needed. (See.p.218)

Material:
1,5mm Galvanized

Applicable Current Values: 32A-250A

Panel Width (mm)	Cover Height (mm)
600	160 240 320
700	
800	
900	



Horizontal Without Socket Fixed MCCB Panel

With panel design that prevents access to the busbar, it complies with Form 4B standards, but also protection cover is needed. (See.p.218)

Material:
2mm Galvanized

Applicable Current Values: 400A-630A

Panel Width (mm)	Cover Height (mm)
600	320 400
700	
800	
900	

Horizontal With Socket Fixed MCCB Panel

With panel design that prevents access to the busbar, it complies with Form 4B standards.

Material:
1,5mm Galvanized

Applicable Current Values: 32A-250A

Panel Width (mm)	Cover Height (mm)
600	160 240 320
700	
800	
900	



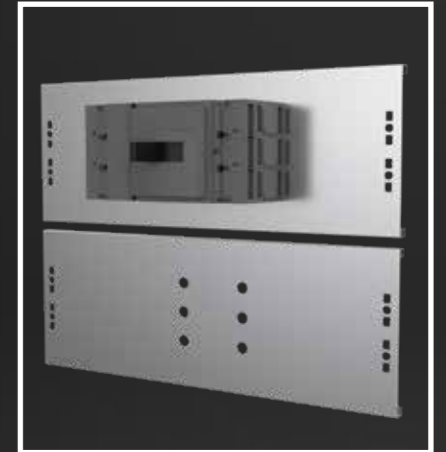
Horizontal With Socket Fixed MCCB Panel

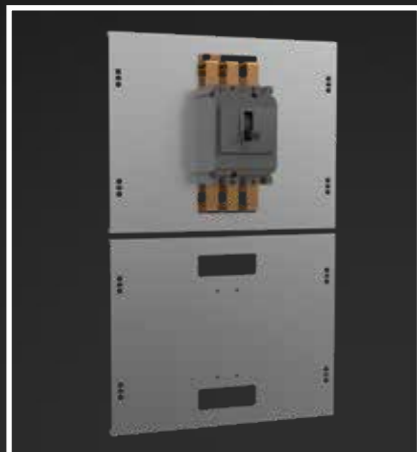
With panel design that prevents access to the busbar, it complies with Form 4B standards.

Material:
2mm Galvanized

Applicable Current Values: 400A-630A

Panel Width (mm)	Cover Height (mm)
600	320 400
700	
800	
900	





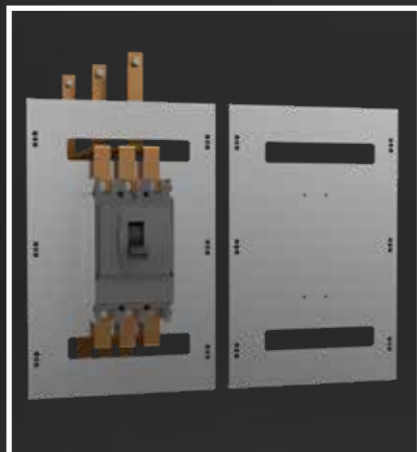
Vertical Without Socket Fixed MCCB Panel

With panel design that prevents access to the busbar, it complies with Form 4B standards, but also protection cover is needed. (See.p.218)

Material:
1,5mm Galvanized

Applicable Current Values: 32A-250A

Panel Width (mm)	Cover Height (mm)
600	160 240 320
700	
800	
900	



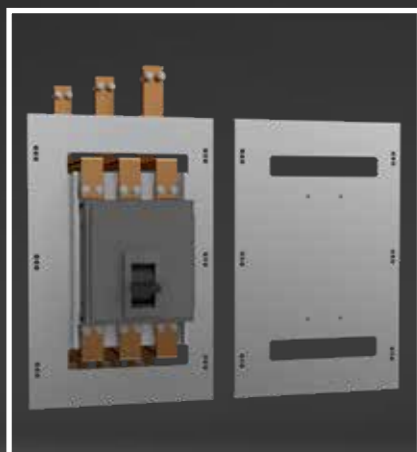
Vertical Without Socket Fixed MCCB Panel

With panel design that prevents access to the busbar, it complies with Form 4B standards, but also protection cover is needed. (See.p.218)

Material:
2mm Galvanized

Applicable Current Values: 400A-630A

Panel Width (mm)	Cover Height (mm)
600	320 400
700	
800	
900	



Vertical Without Socket Fixed MCCB Panel

With panel design that prevents access to the busbar, it complies with Form 4B standards, but also protection cover is needed. (See.p.218)

Material:
2mm Galvanized

Applicable Current Values: 800A-1250A

Panel Width (mm)	Cover Height (mm)
600	320 400
700	
800	
900	

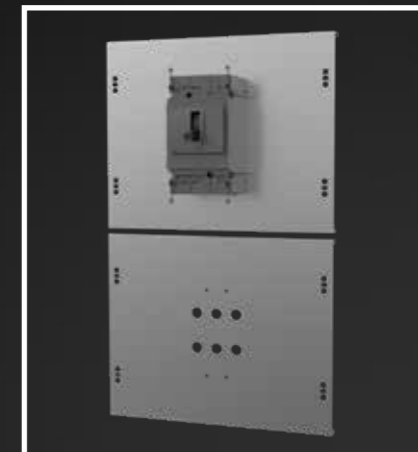
Horizontal With Socket Fixed MCCB Panel

With panel design that prevents access to the busbar, it complies with Form 4B standards.

Material:
1,5mm Galvanized

Applicable Current Values: 32A-250A

Panel Width (mm)	Cover Height (mm)
600	160 240 320
700	
800	
900	



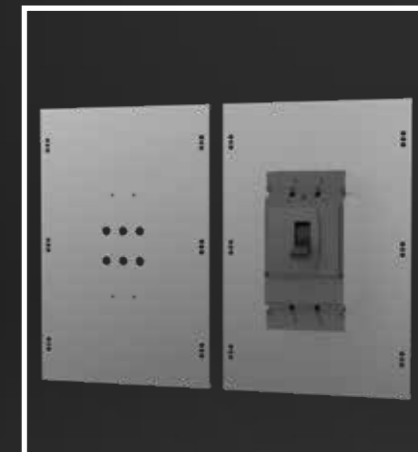
Horizontal With Socket Fixed MCCB Panel

With panel design that prevents access to the busbar, it complies with Form 4B standards.

Material:
2mm Galvanized

Applicable Current Values: 400A-630A

Panel Width (mm)	Cover Height (mm)
600	320 400
700	
800	
900	



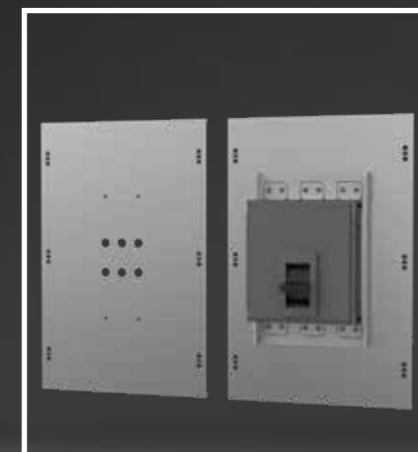
Horizontal With Socket Fixed MCCB Panel

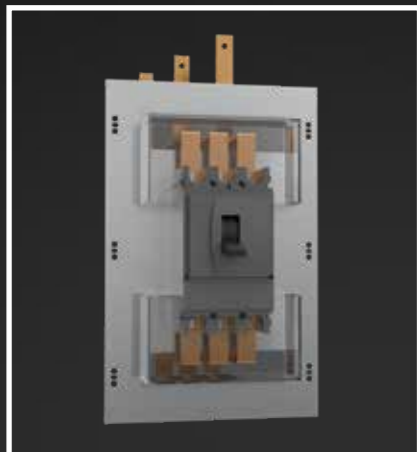
With panel design that prevents access to the busbar, it complies with Form 4B standards.

Material:
2mm Galvanized

Applicable Current Values: 800A-1250A

Panel Width (mm)	Cover Height (mm)
600	320 400
700	
800	
900	

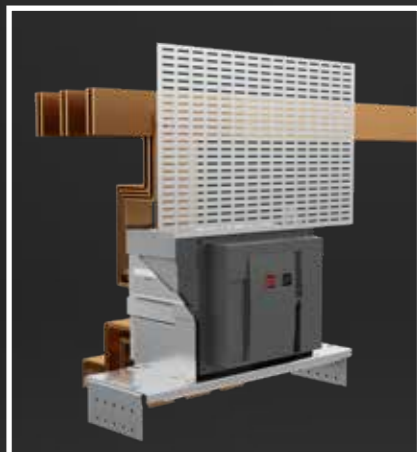




Terminal Protector Transparent Cover

It enables the connection terminals of the MCCB to be closed, thus preventing the user from reaching the busbar. Cover sizes changing according to MCCB sizes.

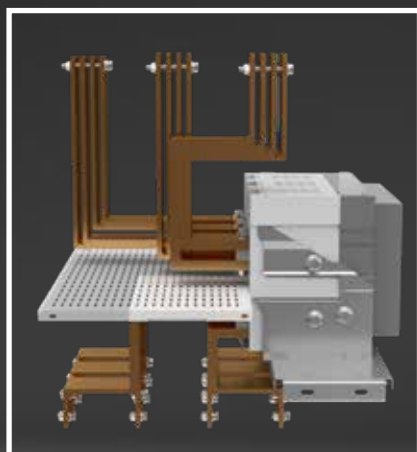
Material:
2mm PC Glass



ACB's Front and Back Cover

Prevents access to the busbar from the front surface of the ACB. At the same time, another cover is applied to prevent access to the busbar section from back.

Material:
1mm Galvanized



ACB Input and Output Busbar Separation

It is applied to separate ACB input and output busbars from each other. It cannot be separated by sheet or metal. Insulating material must be used, such as PC glass.

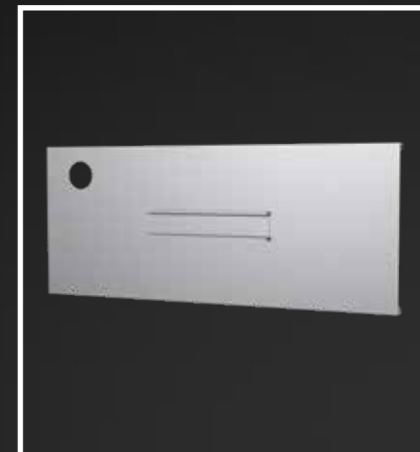
Material:
2mm PC Glass

Inner Mounting Plate

Mounting plate for motor circuit equipment.

Material:
1,5mm Galvanized

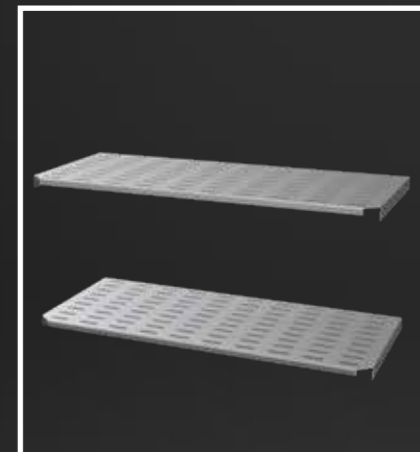
Applicable Power Range: 0,15-25kW



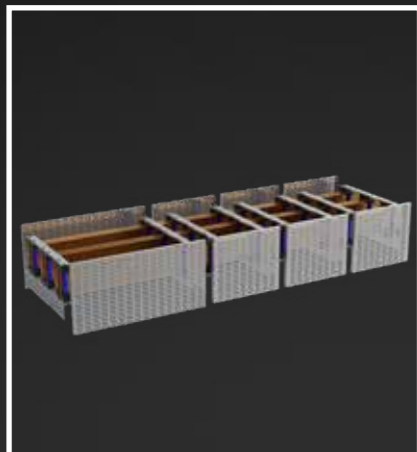
Inner Mounting Plate's Bottom and Top Cover

Covers prevent access to motor circuit equipment from bottom and top. Dimensions are changing according to board width and depth.

Material:
1mm Galvanized



Reference image of inner mounting plate with bottom and top cover.



Main Busbar Front and Back Cover

It covers front and back access to main busbar. Dimensions of covers changing depends on board and busbar widths.

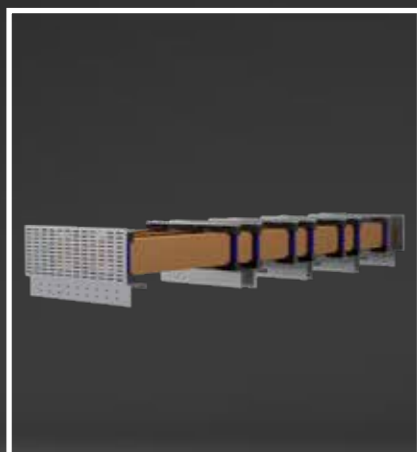
Material:
1mm Galvanized



Main Busbar Bottom and Top Cover

It covers bottom and top access to main busbar. Dimensions of covers changing depends on board width and depth.

Material:
1mm Galvanized



Main Busbar Right and Left Cover

It covers right and left access to main busbar. Dimensions of covers changing depends on board depth and busbar width.

Material:
1mm Galvanized, 2mm PC Glass

Board Front and Back Cover

It completely prevents the user from accessing the panel from the front and back. It is the safest closure method.

Material:
1mm Galvanized

Board Right and Left Cover

It completely covers board's right and left. Dimensions of covers changing depends on board height and width. Generally, uses in termination cells.

Material:
1mm Galvanized



Reference image of a completed Form 4B cell.



MCCB Cell Cover

It covers between MCCB's inputs to coppers of main busbar and terminal cell.

Material:
1mm Galvanized



MCCB Cell Back Cover

MCCB cell's back back cover reference image. In order to comply with Form 4B standards, the user's access is completely blocked.

Material:
1mm Galvanized

Vertical Busbar Cell

It separates between main busbar and MCCB inputs because of vertical busbar cell.



Terminal Cell

It conforms to Form 4B standards thanks to its separation from functional units and busbars also separation of functional units within themselves.

Material:
1mm Galvanized





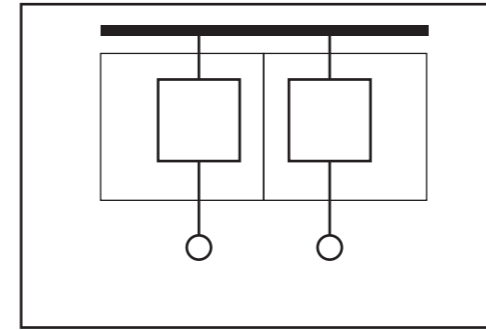
MCC FORM 3B / 4B SYSTEMS



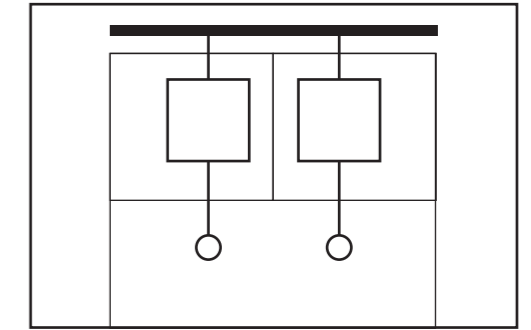
Inside Assembling Equipment Pages 216-226

- Material and Surface:**
 - Panel Frame: TT series (Galvanized) 2 mm steel
 - Door: 2 mm Mild painted steel
 - Side cover: 1.2 mm Mild painted steel
 - Back cover: 1.2 mm Mild painted steel
 - Top cover: 1.5 mm Mild painted steel
 - Cable entry point: 1.2 mm Mild painted steel brushed input for cable
- Paint:**
 RAL 7035 Electrostatic Powder Paint
- Test Standard:**
 IEC 61 439-1/-2
- IP Protection:**
 IP41 / IP54
- IK Impact Resistance:**
 IK10

MCC FORM 3B / 4B SYSTEMS



3A
 Terminals not separated from busbars.



3B
 Terminals separated from busbars.

- Separation of busbars from functional units
- Separation of all functional units
- Separating the terminals of external conductors from functional units, but not separating other functional units from them.

MCC Formed 3B Systems

Separation of busbars and functional units, as well as the separation of functional units within themselves. In addition, the external conductor terminals must be separated from the functional units, but the external conductor connection points do not need to be separated among themselves. External conductor connection points must be in a separate compartment.

Form 3B : The supply terminals of the functional units and the external conductor terminals are separated from each other.

MCC Formed 4B Systems

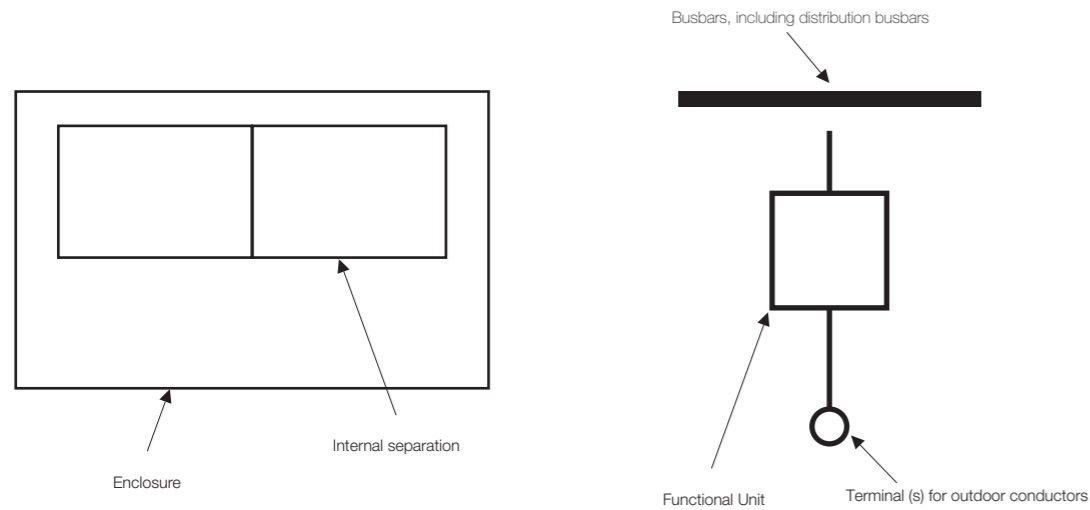
Separation of busbars and functional units, as well as the separation of functional units within themselves. In addition, external conductor terminals must also be separated from functional units, and external conductor connection points must be separated among themselves. External conductor connection points must be in a separate compartment.

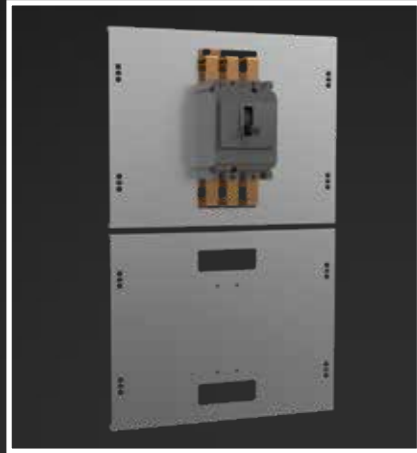
Form 4B : The supply terminals of the functional units and the external conductor terminals are separated from each other. External conductor terminals are separated among themselves.

FORM SEPARATION FORMS

Main Criteria	Sub-Criteria	Formed
Separation of busbars from functional units and separation of all functional units from each other. Separation of terminals of external conductors from their functional units, but not separation of other functional units from them.	Terminals for external conductors not separated from the busbars.	3A
	Terminals for external conductors separated from busbars.	3B

BUILT-IN SPLIT FORMATS





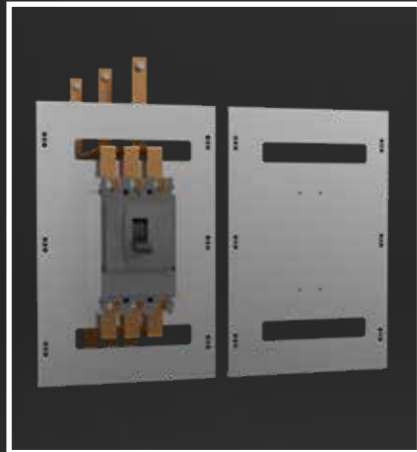
Vertical Without Socket Fixed MCCB Panel

With panel design that prevents access to the busbar, it complies with Form 3B / 4B standards, but also protection cover is needed. (See.p.218)

Material:
1,5mm Galvanized

Applicable Current Values: 32A-250A

Panel Width (mm)	Cover Height (mm)
600	160 240 320
700	
800	
900	



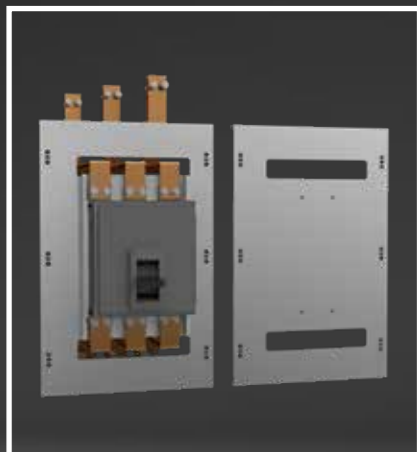
Vertical Without Socket Fixed MCCB Panel

With panel design that prevents access to the busbar, it complies with Form 3B / 4B standards, but also protection cover is needed. (See.p.218)

Material:
2mm Galvanized

Applicable Current Values: 400A-630A

Panel Width (mm)	Cover Height (mm)
600	320 400
700	
800	
900	



Vertical Without Socket Fixed MCCB Panel

With panel design that prevents access to the busbar, it complies with Form 3B / 4B standards, but also protection cover is needed. (See.p.218)

Material:
2mm Galvanized

Applicable Current Values: 800A-1250A

Panel Width (mm)	Cover Height (mm)
600	320 400
700	
800	
900	

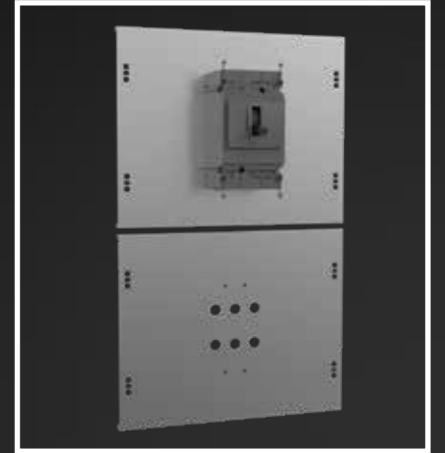
Horizontal With Socket Fixed MCCB Panel

With panel design that prevents access to the busbar, it complies with Form 3B standards.

Material:
1,5mm Galvanized

Applicable Current Values: 32A-250A

Panel Width (mm)	Cover Height (mm)
600	160 240 320
700	
800	
900	



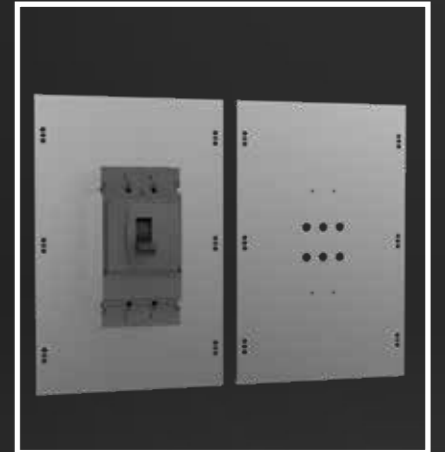
Horizontal With Socket Fixed MCCB Panel

With panel design that prevents access to the busbar, it complies with Form 3B / 4B standards.

Material:
2mm Galvanized

Applicable Current Values: 400A-630A

Panel Width (mm)	Cover Height (mm)
600	320 400
700	
800	
900	



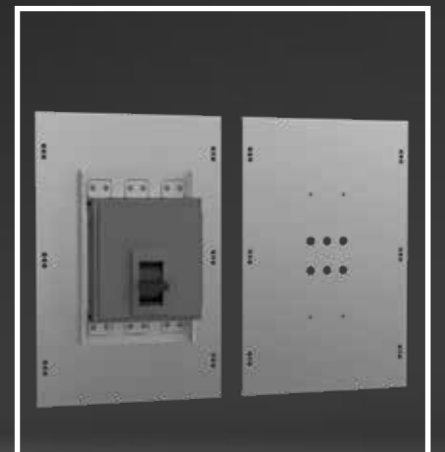
Horizontal With Socket Fixed MCCB Panel

With panel design that prevents access to the busbar, it complies with Form 3B / 4B standards.

Material:
2mm Galvanized

Applicable Current Values: 800A-1250A

Panel Width (mm)	Cover Height (mm)
600	320 400
700	
800	
900	





Main Busbar Front and Back Cover

It covers front and back access to main busbar. Dimensions of covers changing depends on board and busbar widths.

Material:
1mm Galvanized



Main Busbar Bottom and Top Cover

It covers bottom and top access to main busbar. Dimensions of covers changing depends on board width and depth.

Material:
1mm Galvanized



Main Busbar Right and Left Cover

It covers right and left access to main busbar. Dimensions of covers changing depends on board depth and busbar width.

Material:
1mm Galvanized, 2mm PC Glass

Inner Mounting Plate

Mounting plate for motor circuit equipment.

Material:
1,5mm Galvanized

Applicable Power Range: 0,15-25kW



Inner Mounting Plate's Bottom and Top Cover

Covers prevent access to motor circuit equipment from bottom and top. Dimensions are changing according to board width and depth.

Material:
1mm Galvanized

Material:
1mm Galvanized



Reference image of inner mounting plate with bottom and top cover applied on the panel.



Inner Mounting Plate for Medium MCC's

Mounting plate for motor circuit equipment.

Material:
1,5mm Galvanized

Applicable Power Range: 25-40kW



Inner Mounting Plate for Small MCC's Bottom and Top Cover

Covers prevent access to motor circuit equipment from bottom and top. Dimensions are changing according to board width and depth.

Material:
1mm Galvanized



Reference image of inner mounting plate with bottom and top cover applied on the panel.

Inner Mounting Plate for Frequency Converter (FC)

Mounting plate for variable speed driver. There must be hole to assembly driver. Hole dimensions are changing according to driver's size.

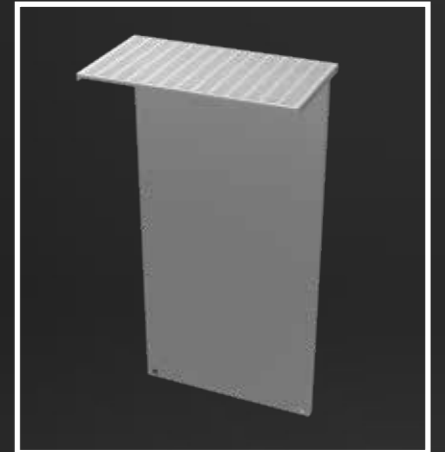
Material:
2mm Galvanized



Top Cover for Variable Frequency Converter (FC)

Top cover prevents to reach variable speed driver above the product.

Material:
1mm Galvanized



Right and Left Cover for Frequency Converter (FC)

It completely prevents access to the variable speed driver from the right and left sections. The number of closure parts varies according to the panel design and the product to be used.

Material:
1mm Galvanized





Terminal Cell

It is the external conductor connection point. It conforms to Form 3B standards thanks to its separation from functional units and busbars.

Material:
1mm Galvanized



Terminal Cell

It conforms to Form 4B standards thanks to its separation from functional units and busbars also separation of functional units within themselves.

Material:
1mm Galvanized

Vertical Busbar Cell

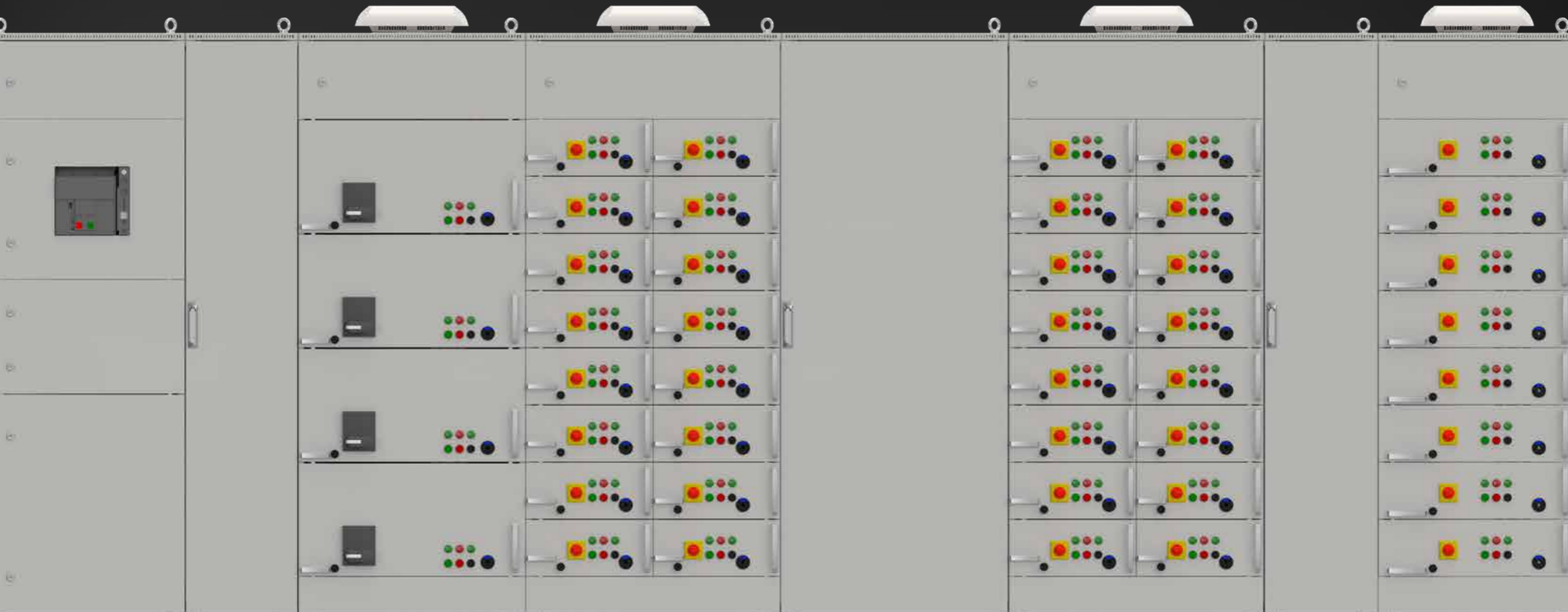
It separates between main busbar and MCCB inputs because of vertical busbar cell.





Withdrawable Capacitor Bank (PF) Panel Systems.....243

Withdrawable MCC and Distribution Panel Systems.....249





Drawer Types and Equipments Page 233-234

- Material and Surface:**
- Pano series: TT series withdrawable capacitor bank (PFI) panel
 - Panel Frame: TT series (Galvanized) 2 mm steel
 - Door: 2 mm Mild painted steel
 - Withdrawable: 1.2 mm Mild painted steel
 - Side cover: 1.2 mm Mild painted steel
 - Back cover: 1.2 mm Mild painted steel
 - Top cover: 1,5 mm Mild painted steel
 - Cable entry point: 1.2 mm Mild painted steel brushed input for cable
- Paint:**
RAL 7035 Electrostatic Powder Paint
- Test Standard:**
IEC 61 439-1/-2
IEC 60 068-3-3
- IP Protection:**
IP41 / IP54
- IK Impact Resistance:**
IK10

TT Series Withdrawable Type Capacitor Bank Panels have IEC 61439-1/2 KEMA Type Tests and are suitable for use in Industrial Facilities. Withdrawable Panel Systems provide the opportunity to intervene in the panel without power interruption in case of failure and maintenance.

- Drawer modules can be removed and installed because of their plug-in structure, providing the operator with ease of use compared to cable systems.
- Before the drawer can be removed for repair and maintenance, the safety pin must first be removed.
- The types of drawers changing according to the shunt reactor, harmonic filter and capacitor sizes to be used inside. According to the project, the most suitable drawer is presented to the user.
- Forming structure is produced in accordance with Form 3b / 4b as standard.

High Capacity

Because of withdrawable compensation systems, we can make maximum use of a panel. With the regular arrangement of capacitors, up to 500kVAR can be obtained in a cell.

Easy Service

It provides high savings to the user thanks to its system designed to quickly resolve the problems occurring in the facility. While the problem is resolved, other parts of the board continue to work actively.

Security precautions

Because of form system, the user's access to the energized sections is prevented. In addition, with the safety pin, it allows the user to remove the drawer more safely.

Power and Control Socket Values		
	1-25 kVAr	25-50 kVAr
Power Socket Current Value	80A	125A
Power Socket Pole Value	3P	3P
Control Socket Current Value	16A	16A
Control Socket Contact Piece	5P - 24P	5P - 24P

Technical Specifications	
Voltage, Un	AC 400V
Rated Service Voltage, Ue	up to 690V / 690V'a Kadar
Rated Insulation Voltage, Ui	up to 1000V / 1000V'a Kadar
Rated Impulse Withstand Voltage, Uimp	8 kW
Rated Frequency, f	50-60 Hz
Ambiet Temperature	35 (24 h)

WITHDRAWABLE CAPACITOR BANK (PFI) PANEL SYSTEMS



1-25kVAr Capacitor Drawer

Used for 1-25kVAr capacitors. 2 pieces can be used side by side in an 80cm wide cell. It provides convenience to the user as it is positioned on the rail. The sockets at the back of the drawer contact the busbar when the drawer is closed, providing energy flow. When the user removes the drawer in place, the power is automatically cut off as the sockets do not touch the busbar.



26-100kVAr Capacitor Drawer

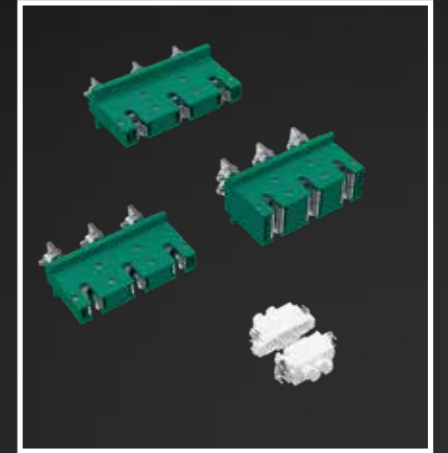
Used for 1-25kVAr capacitors. 1 pieces can be used side by side in an 80cm wide cell. It provides convenience to the user as it is positioned on the rail. The sockets at the back of the drawer contact the busbar when the drawer is closed, providing energy flow. When the user removes the drawer in place, the power is automatically cut off as the sockets do not touch the busbar.

WITHDRAWABLE CAPACITOR BANK (PFI) PANEL SYSTEMS

Power and control Sockets

Socket sizes changing according to the drawer type and the current value of the switchgear equipment used in it. As the current values increase, the size of the power socket also increases. In addition, the size of the control socket increases according to the number of contacts used.

Power Socket:	Control Socket:
Between 16A - 630A	16A / 5-24 kontak



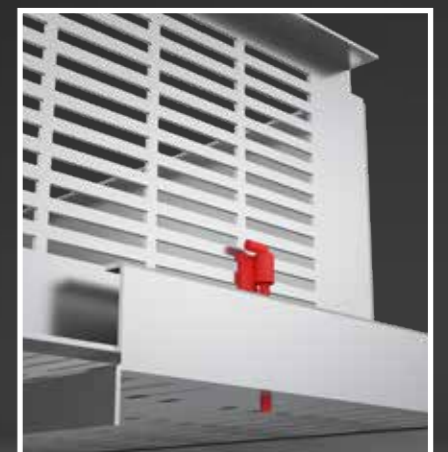
Socket and Busbar Connection

Energy flow begins with the contact of the sockets located at the back of the drawer. You can refer to the reference image for the image after the drawer is closed.



Drawer Security Pin

It allows the user to remove the drawer more safely in order to prevent damage due to the weight of the drawers. The drawer must be lifted slightly so that the security pin can be removed.







Drawer Types and Equipments Page 239-244

- Material and Surface:**
- Pano series: TT series withdrawable mcc and distribution panel
 - Panel Frame: TT series (Galvanized) 2 mm steel
 - Door: 2 mm Mild painted steel
 - Withdrawable: 1.2 mm Mild painted steel
 - Side cover: 1.2 mm Mild painted steel
 - Back cover: 1.2 mm Mild painted steel
 - Top cover: 1.5 mm Mild painted steel
 - Cable entry point: 1.2 mm Mild painted steel brushed input for cable
- Paint:**
RAL 7035 Electrostatic Powder Paint
- Test Standard:**
IEC 61 439-1/-2
IEC 60 068-3-3
- IP Protection:**
IP41 / IP54
- IK Impact Resistance:**
IK10

Drawer Positions (On - Off - Test - Trip)

- ON: All functions are enabled; the drawer is locked and cannot be taken out.
- OFF: All functions disabled; drawer can be taken out.
- TEST: To perform test on the drawer module, it is first disconnected from the power sockets in the **off** position, then the drawer module, can be tested by connecting the control socket.
- TRIP: When the switch is in trip position, its position can be seen without opening the drawer. It can be operated by first turning it **off** and then **on**.

TT Series Drawer Type MCC and Distribution Panels have IEC 61439-1/2 KEMA Type Tests and are suitable for use in Industrial Facilities such as Energy production, Steel production, Petrochemicals. Withdrawable Panel Systems provide the opportunity to intervene in the panel without power interruption in case of failure and maintenance.

- In case of failure, the drawers can be removed without interrupting the power, then a new one can be added or repaired.
- Drawer modules can be removed and installed because of their plug-in structure, providing the operator with ease of use compared to cable systems.
- The security system is very high, because of the locking mechanism, it prevents the drawer from being disassembled while it is in operation, thus preventing operator errors.
- There are 4 different types of drawer models according to the switchgear material to be used inside. According to the project, the most suitable drawer type is presented to the user.
- Forming structure is produced in accordance with Form 3b / 4b as standard. It has a form structure that can be intervened from the front and the side.

Benefits in Brief

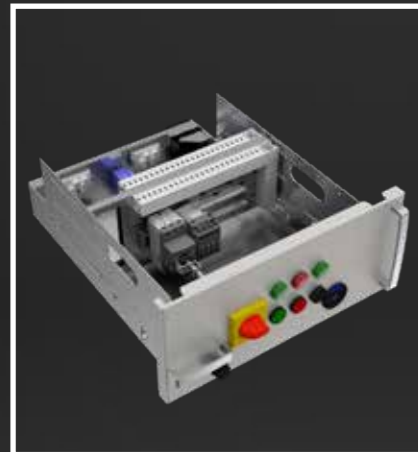
- Safe
- Easy to Use
- Flexibility
- Easy Service and Repair

Technical Specifications	
Voltage, Un	AC 400V
Rated Service Voltage, Ue	up to 690V / 690V'a Kadar
Rated Insulation Voltage, Ui	up to 1000V / 1000V'a Kadar
Rated Impulse Withstand Voltage, Uimp	8 kW
Rated Frequency, f	50-60 Hz
Ambiet Temperature	35 (24 h)



0-80A XS Type Drawer Module

It is a drawer module that can be used up to 3P / 4P 80A. Direct starting capacity is up to 37kW. In a 70 / 80 cm wide cell of the panel, 1 piece is used side by side as standard. The drawer module is 10 cm high and a maximum of 16 drawers can be used in a cell.



0-80A S Type Drawer Module

It is a drawer module that can be used up to 3P / 4P 80A. Direct starting capacity is up to 37kW. In a 90 cm wide cell of the panel, 2 pieces are used side by side as standard. The drawer module is 20 cm high and a maximum of 16 drawers can be used in a cell.

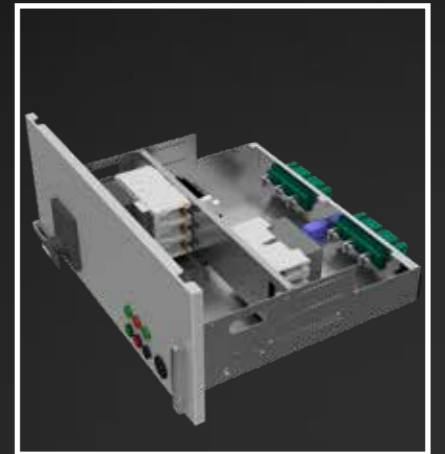


100A-250A M Type Drawer Module

It is a drawer module that can be used up to 3P / 4P 250A. Direct starting capacity is up to 110kW. 1 piece is used in the 70 / 80 cm wide cell of the panel. The drawer module is 20 cm high and a maximum of 8 drawers can be used in a cell.

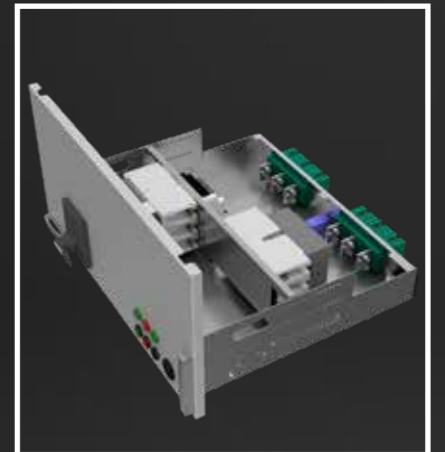
250A-400A L Type Drawer Module

It is a drawer module that can be used up to 3P / 4P 400A. Direct starting capacity is up to 185kW. 1 piece is used in the 70 / 80 cm wide cell of the panel. The drawer module is 32 cm high and a maximum of 5 drawers can be used in a cell.



400A-630A XL Type Drawer Module

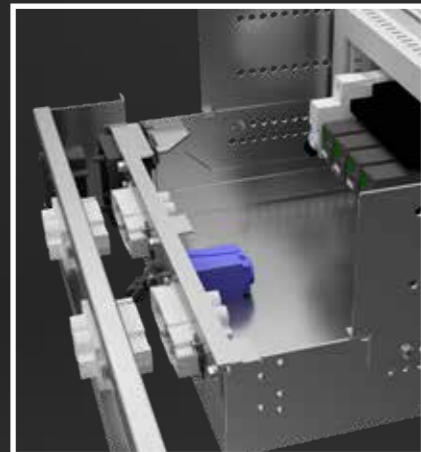
It is a drawer module that can be used up to 3P / 4P 630A. Direct starting capacity is up to 285kW. 1 piece is used in the 70 / 80 cm wide cell of the panel. The drawer module is 40 cm high and a maximum of 4 drawers can be used in a cell.





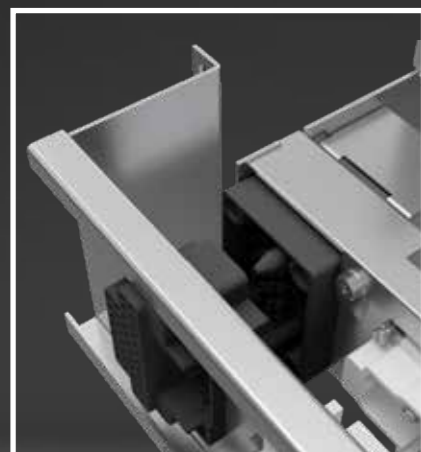
M / L / XL Type Power Socket

With the contact of the power socket with the copper, it provides energy access to the drawer module. It has the capacity to carry current between 100-630A. Suitable for the use of copper with a thickness of 5 / 10 mm. With the spring system in the contacts, arc discharge is prevented during contact with the copper.



XS / S Type Power Socket

It has the capacity to carry current between 0-80A. Suitable for cable use up to 16 mm cross section. It consists of two parts; energy transfer begins with the union of the male part in the drawer and the female part in the frame. This contact takes place with the placement of the drawer.

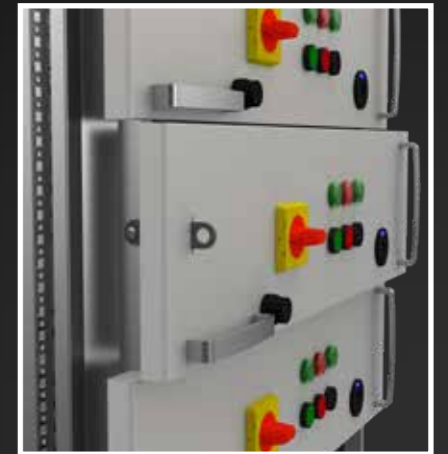


Control Socket

It has the capacity to carry current between 0-16A. The number of contacts can be up to 40 poles. It consists of two parts; energy transfer begins with the union of the male part in the drawer and the female part in the frame. This contact takes place with the placement of the drawer. With the design of the socket, the possibility of damage to the pins during coupling is mechanically prevented.

Drawer Module Padlock

It is the part where the padlock is placed. It ensures the safety of the drawer module and the operator. It prevents the module from moving and the contact of a user other than the operator without unlocking. It is the limit that determines the position that the drawer module will find when in the test position.



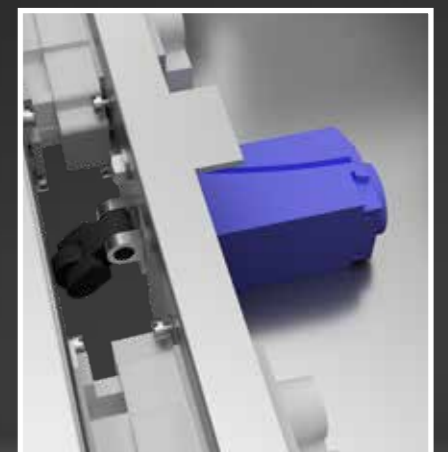
Test Position

The power sockets and the control socket are disconnected by pulling the drawer. Then the padlock piece in the carcass is lifted up and the drawer is pushed forward again. To reconnect the control socket, the test key is turned by placing it in its socket. By turning the key, the control sockets are contacted by the mechanism inside the drawer module. In this way, the drawer becomes ready for use in the test position.



Switch

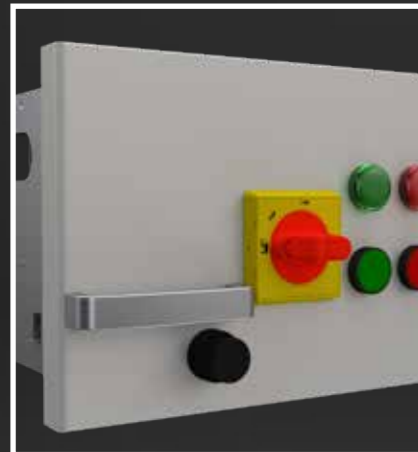
It is the part that informs that the drawer module is fully inserted into its cell. Provides safe use to the operator.





Press & Pull System

In order to remove the drawer module, first press the button on the drawer. By pressing the button, the drawer lock mechanism is deactivated. While the drawer is pressed, the operator pulls the module out. Make sure the circuit is in the Off position to remove the drawer.



ON – OFF Lock System

It is a drawer module that can be used up to 3P / 4P 250A. Direct starting capacity is up to 110kW. 1 piece is used in the 70 / 80 cm wide cell of the panel. The drawer module is 20 cm high and a maximum of 8 drawers can be used in a cell. Thanks to the drawer height, high temperature that may occur in the drawer is prevented.

Socket Form Part

Located between the drawer power socket and the copper. When the drawer module is removed, it prevents the user from reaching the energized part from the socket connection point, thus ensuring the safety of the user. When the drawer is reinserted, the protection cover opens automatically, allowing sockets to reach the busbar and re-energizes the drawer.

Vertical Copper Form

It is a form part of the copper busbar at the back of the panel, where the sockets contact. It completely prevents access to the energized areas from the back of the panel. Insulating material must use.





Bare			Permissible Loading (A) With 50 Hz.							
Width Thicnes	Cross Section	Weight	Number Of Bars (Painted)				Number Of Bars (Bare)			
			I	II	III	IV	I	II	III	IV
12x2	24	0.21	125	250	-	-	110	220	-	-
15x2	30	0.27	155	270	-	-	140	240	-	-
15x3	45	0.40	185	330	-	-	170	300	-	-
20x2	40	0.36	205	350	-	-	185	315	-	-
20x3	60	0.54	245	425	-	-	220	380	-	-
20x5	100	0.89	325	550	-	-	290	495	-	-
25x3	75	0.67	300	510	-	-	270	460	-	-
25x5	125	1.12	385	670	-	-	350	600	-	-
30x3	90	0.80	350	600	-	-	315	540	-	-
30x5	150	1.34	450	780	-	-	400	700	-	-
40x3	120	1.07	460	780	-	-	420	710	-	-
40x5	200	1.78	600	1000	-	-	520	900	-	-
40x10	400	3.56	835	1500	2060	2800	750	1350	1850	2500
50x5	250	2.23	720	1200	1750	2300	630	1100	1500	2100
50x10	500	4.45	1025	1800	2450	3330	920	1620	2000	3000
60x5	300	2.67	825	1400	1980	2650	750	1300	1800	2400
60x10	600	5.34	1200	2100	2800	3800	1100	1860	2500	3100
80x5	400	3.56	1060	1800	2450	3300	950	1650	2200	2900
80x10	800	7.12	1540	2600	3300	4600	1400	2300	3100	4200
100x5	500	4.45	1310	2200	2950	3800	1100	2000	2600	3400
100x10	1000	8.90	1880	3100	4000	5400	1700	2700	3600	4800
120x10	1200	10.68	2200	3500	4600	6100	2000	3200	4200	5500
160x10	1600	14.24	2880	4400	7800	7800	2600	3900	5200	7000

Rated Current (output units)	Cable Cross Section (mm²)
Kumanda Kablolan / Control Cables	0.75
Sinyal Kablolan / Signal Cables	1
6-10-16-20A	1.25
25A	4
32A	6
40-50A	10
63A	16
80A	25
100A	35
125A	50
160A	70
250A	95

IP XY			
X Number	Explanation	Y Number	Explanation
1	Protected against access to hazardous parts with a wire, screw, etc. Protected against solid objects greater than 50 mm in size	1	Protected against water drops
2	Protected against access to hazardous parts with a wire, screw, etc. Protected against solid objects greater than 12.5 mm in size	2	Protected against water drops at a 15 degree angle
3	Protected against access to hazardous parts with a wire, screw, etc. Protected against solid objects greater than 2.5 mm in size	3	Protected against water spray at a 60 degree angle
4	Protected against access to hazardous parts with a wire, screw, etc. Protected against solid objects greater than 1 mm in size.	4	Protected against water splashing from any angle
5	Protected against access to hazardous parts. Dust Protected	5	Protected against water jet from any angle
6	Protected against access to hazardous parts. Dust-tight.	6	Protected against powerful water jet and heavy seas
-	-	7	Protected against the effects of temporary submersion in water. Test requires 30 minutes at 1 meter depth.
-	-	8	Protected against the effects of temporary submersion. Customer specification applies and specific testing may be required.

IK Value Table											
IK Code	IK01	IK02	IK03	IK04	IK05	IK06	IK07	IK08	IK09	IK10	IK10+
Impact Energy	0.14	0.20	0.35	0.50	0.70	1.00	2.00	5.00	10.00	20.00	50.00
Drop Heights (mm)	56	80	140	200	280	400	400	300	200	400	500

What is joule?

The joule is a physical unit of measure for energy. To calculate the impact energy in the IK Test, the drop height is multiplied by the weight and then multiplied by the number 10.

Impact energy (W) = drop height (h) * weight (m) * 10